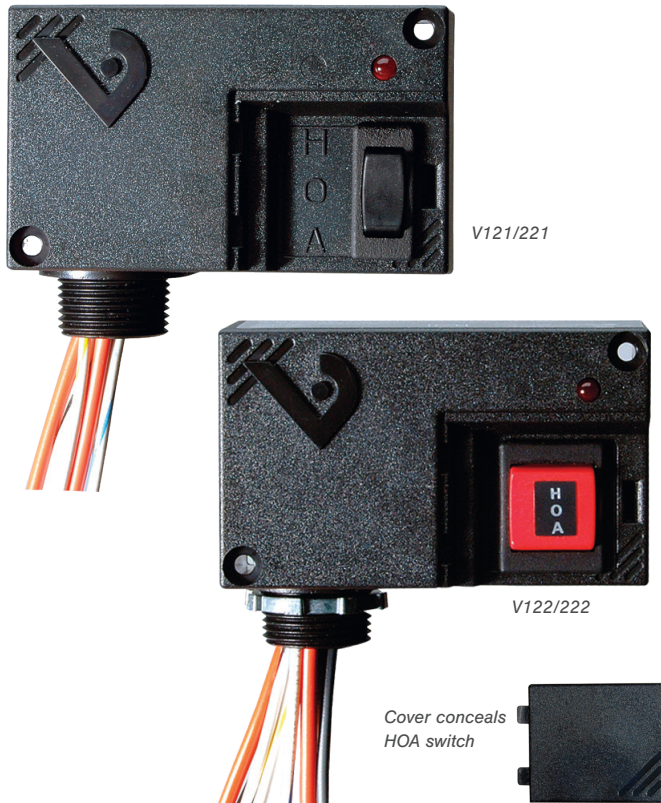




Victory 121, 122, & 123 Series



HOA SWITCH PROVIDES LOCAL CONTROL

FEATURES

- Sleek field enclosure reduces the need for panel space
- The nipple mount feature allows the V121 Series to be mounted to any electrical enclosure easing installation
- Flexible tinned stranded wire...fits easily in tight spaces and provides secure connections to wire nuts
- UL508 Listed...designed and approved for field installation...makes electrical inspection a snap
- Products include a cover that conceals and protects the HOA switch, reducing the likelihood of tampering
- Limit costly control system override & service calls
- The switch position monitors available with the V122/V222 and V123/V223 models allow the control system to notify building operating personnel when a load is inadvertently left ON or OFF

APPLICATIONS

- Command contactors
- Control motors
- Isolation
- Device interlocking
- Relay logic
- Sense voltages for alarm conditions

SPECIFICATIONS

Operating Temp. Range	-40 to 60 °C (-40 to 131 °F)
Operating Humidity Range	10 to 90% RH non-condensing
Expected Relay Life	Electrical (@ rated current) 100,000 cycles; Mechanical (unpowered) 10,000,000 cycles
Relay Status	LED ON=energized
Insulation Class	277 Vac RMS
Agency Approvals	UL 508

WIRE SPECIFICATIONS

Lead Length	14" (356 mm) min.
Gauge	UL1015; Coil: 18 AWG; Contacts: 12 AWG; HOA monitor wires: 16 AWG

V122/V222 RESISTIVE MONITOR MAXIMUMS

Voltage Max.	13.4 Vac/dc
Current Max.	4 mA AC/DC

V123/V223 DIGITAL MONITOR MAXIMUMS

Dry Circuit Contact Rating (Max.)	24 Vac/dc@100 mA
-----------------------------------	------------------

WARRANTY

Limited Warranty	5 years
------------------	---------

TYPICAL COIL PERFORMANCE

Voltage	Coil Current	
	AC	DC
24 V	75 mA	32 mA
120 V	42 mA	
208 V	36 mA	
277 V	39 mA	

CONTACT RATINGS

V121, V221	
Resistive	20 A @ 240 Vac
	8 A @ 28 Vdc
	12 A @ 14 Vdc
Motor	1 HP! 120 Vac
V122, V123, V222, V223	
Resistive	20 A @ 240 Vac
	8 a @ 28 Vdc
	14 A @ 14 Vdc
Motor	1 HP @ 250 Vac

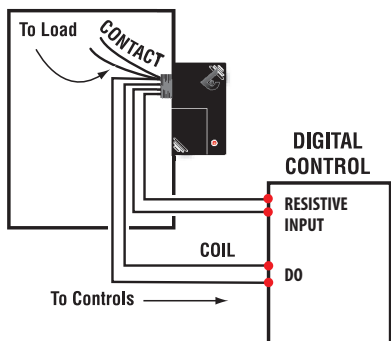
DESCRIPTION

The Victory 121, 122, and 123 Series HOA relays have a concealed HOA switch for local control and troubleshooting with limited unauthorized switch manipulation. To further guard against control system override, the V122/V222 and V123/V223 are equipped with a monitored HOA. The V122/V222 provides a two-wire resistive output and the V123/V223 offers a three-wire digital monitor. Now you can enjoy the convenience of local control with none of the drawbacks.

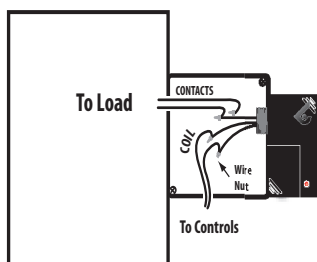


WIRING DIAGRAMS

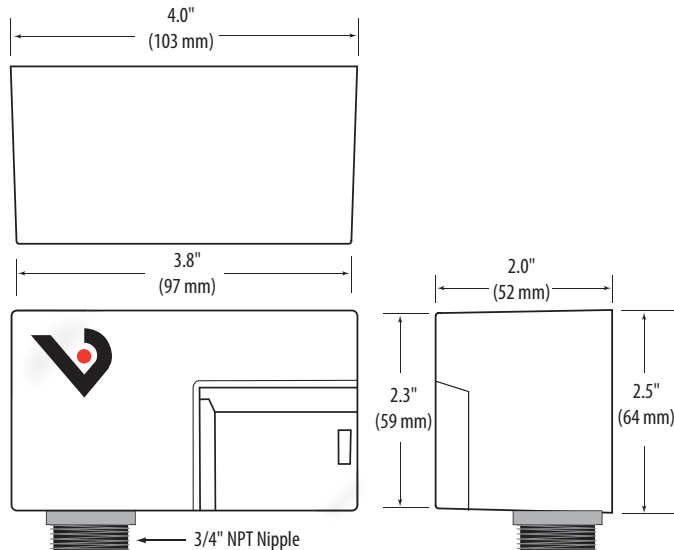
Nipple mount directly to a panel



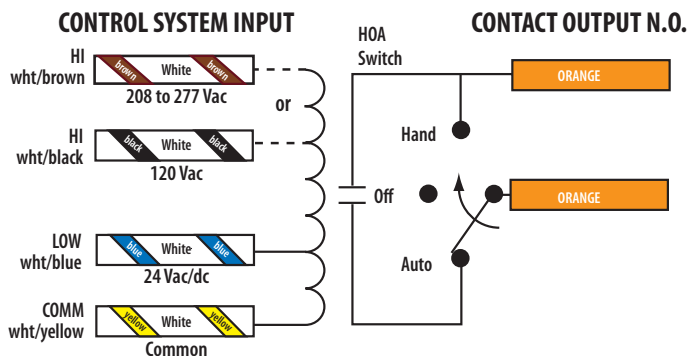
Nipple mount to any 2x or 4x electrical box



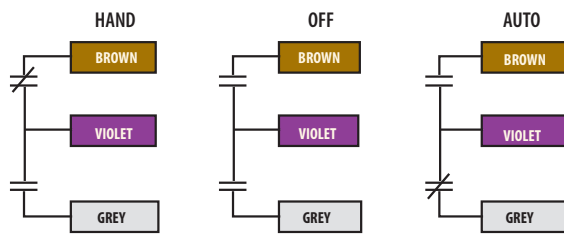
DIMENSIONAL DRAWING



WIRE COLOR CODES

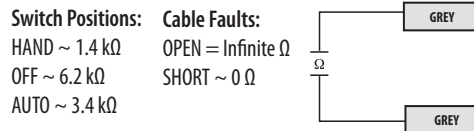


V123/V223 Digital HOA Position Monitor



Switch Positions:
 HAND = Brown wire closed to Common
 OFF = Both wires open to Common
 AUTO = Grey wire closed to Common
 VIOLET = Common

V122/V222 Resistive HOA Position Monitor



Switch Positions:
 HAND ~ 1.4 kΩ
 OFF ~ 6.2 kΩ
 AUTO ~ 3.4 kΩ



ORDERING INFORMATION

MODEL	RELAY	COIL	AMPERAGE RATING	HOA	HOA MONITOR	RELAY POWER LED	UL
V121	SPST, N.O.	24 Vac/dc, 120 Vac	20 A	●	None	●	●
V122		24 Vac/dc, 120 Vac		●	Resistive	●	●
V123		24 Vac/dc, 120 Vac		●	Digital	●	●
V221		24 Vac/dc, 208 to 277 Vac		●	None	●	●
V222		24 Vac/dc, 208 to 277 Vac		●	Resistive	●	●
V223		24 Vac/dc, 208 to 277 Vac		●	Digital	●	●

Some devices are plenum rated per UL 1995...see White Paper VWP01 at veris.com for details