



Victory 101, 102, & 103 Series



Cover conceals HOA switch



V101/
V201



V101D/
V201D



V102/
V202

RELAYS WITH HOA SWITCHES FOR LOCAL CONTROL

FEATURES

- Sleek field enclosure reduces the need for panel space
- The nipple mount feature allows the Victory series to be mounted to any electrical enclosure easing installation
- Flexible tinned stranded wire...fits easily in tight spaces and provides secure connections to wire nuts
- UL508 Listed...designed and approved for field installation...makes electrical inspection a snap
- Concealed HOA switch reduces the likelihood of tampering
- Reduce costly control system override and service calls
- The HOA monitors (available with the V102/V202 & V103/V203 models) allow the control system to notify building operating personnel when a load is inadvertently left in ON or OFF position

APPLICATIONS

- Command contactors
- Control motors
- Isolation
- Device interlocking
- Relay logic
- Sense voltages for alarm conditions

SPECIFICATIONS

Operating Temp Range	-40 to 55 °C (-40 to 131 °F)
Operating Humidity Range	10 to 90% RH non-condensing
Expected Relay Life	Electrical (@ rated current) 100,000 cycles; Mechanical (unpowered) 10,000,000 cycles
Relay Status	LED ON=energized
Insulation Class	600 Vac RMS
Agency Approvals	UL 508

WIRE SPECIFICATIONS

Lead Length	14" (356 mm) min.
Gauge	UL1015; Coil: 18 AWG; Contacts: 16 AWG; HOA monitor wires: 16 AWG

V102/V202 RESISTIVE MONITOR MAXIMUMS

Voltage Max.	13.4 Vac/dc
Current Max.	4mA AC/DC

V103/203 DIGITAL MONITOR MAXIMUMS

Dry Circuit Contact Rating (Max.)	24 Vac/dc@100 mA
-----------------------------------	------------------

WARRANTY

Limited Warranty	5 years
------------------	---------

DESCRIPTION

With a concealed HOA switch for local control and troubleshooting, the Victory 101, 102, and 103 Series relays provide HOA flexibility while limiting unauthorized switch manipulation. To further guard against control system override, some relays are equipped with a monitored HOA. The V102/V202 provide a two-wire resistive output and the V103/V203 offer a three-wire digital monitor. Now your customers and technicians can enjoy the benefit of local control without the problems often caused by override.

TYPICAL COIL PERFORMANCE

Pull in Voltage	AC		DC
	10 to 30 V	8	9
120 V	78		
208 to 277 V	154		
Drop Out Voltage			
10 to 30 V	2		3
120 V	18		
208 to 277 V	36		
Voltage	Coil Current		
	AC	DC	
10 V	25 mA	14 mA	
24 V	31 mA	16 mA	
30 V	39 mA	18 mA	
120 V	22 mA		
208 V	19 mA		
277 V	25A		

CONTACT RATINGS

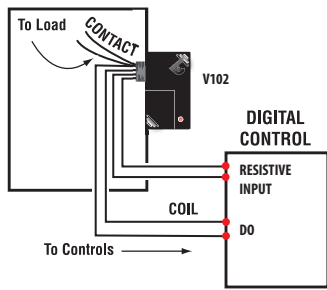
V101, V201, V101D*, V201D*	
Resistive	10 A @ 250 Vac
Motor	1/3 HP @ 120Vac
Gold Flash	Yes
V101, V201, V101D*, V201D*	
Resistive	10 A @ 277 Vac
Motor	1/3 HP @ 240 Vac
Gold Flash	Yes

*each relay

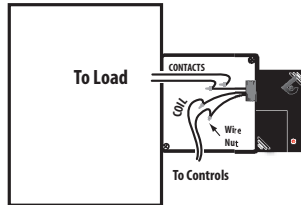


WIRING DIAGRAMS

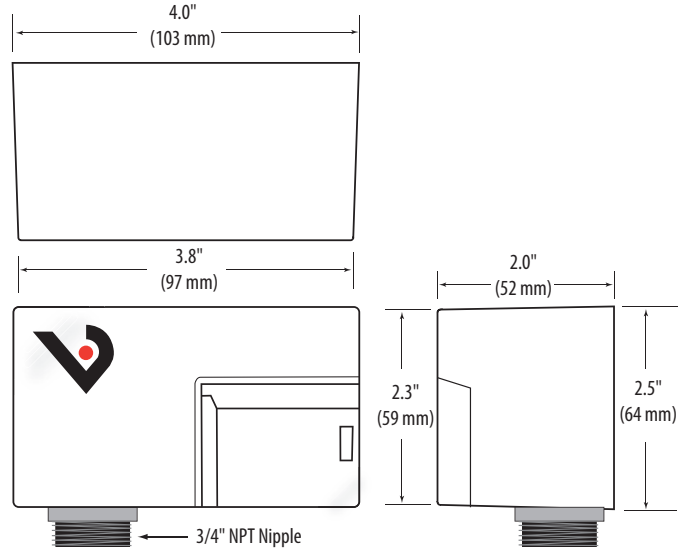
Nipple mount directly to a panel



Nipple mount to any 2x or 4x electrical box



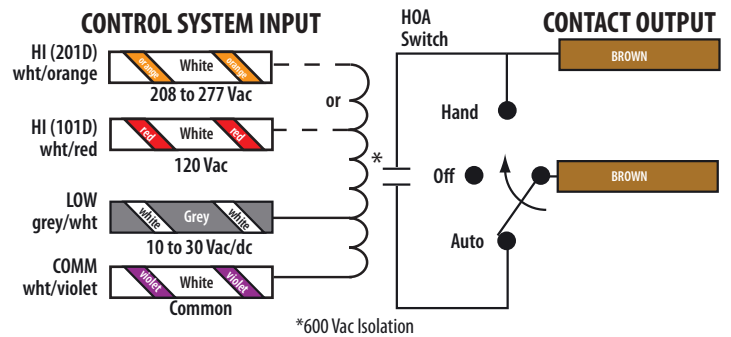
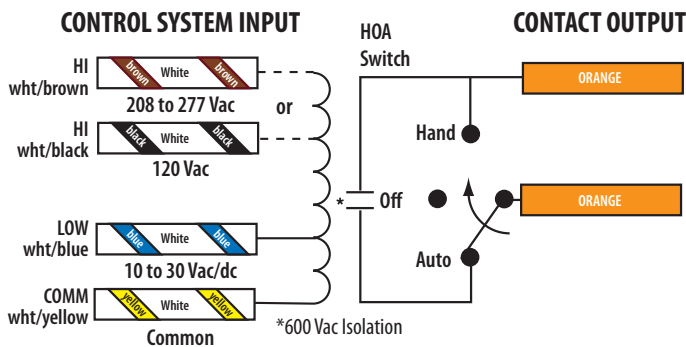
DIMENSIONAL DRAWING



WIRE COLOR CODES

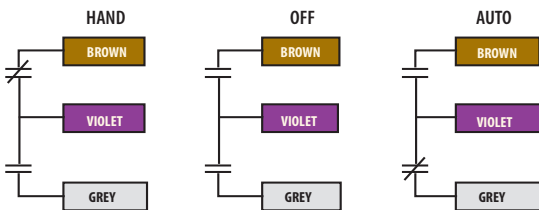
Primary

Relay #2 for V101D/V201D only



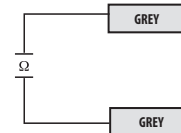
V103/203 Digital HOA Position Monitor

V102/202 Resistive HOA Position Monitor



Switch Positions: HAND ~ 1.4 kΩ
OFF ~ 6.2 kΩ
AUTO ~ 3.4 kΩ

Cable Faults: OPEN = Infinite Ω
SHORT ~ 0 Ω



Switch Positions:
HAND = Brown wire closed to Common
OFF = Both wires open to Common
AUTO = Grey wire closed to Common
VIOLET = Common



ORDERING INFORMATION

MODEL	RELAY	COIL	AMPERAGE RATING	HOA	HOA MONITOR	RELAY POWER LED	UL
V101	SPST, N.O.	10 to 30 Vac/dc, 120 Vac	10 A	●	None	●	●
V101D	2x SPST, N.O.	10 to 30 Vac/dc, 120 Vac		●	None	●	●
V102	SPST, N.O.	10 to 30 Vac/dc, 120 Vac		●	Resistive	●	●
V103	SPST, N.O.	10 to 30 Vac/dc, 120 Vac		●	Digital	●	●
V201	SPST, N.O.	10 to 30 Vac/dc, 208 to 277 Vac		●	None	●	●
V201D	2x SPST, N.O.	10 to 30 Vac/dc, 208 to 277 Vac		●	None	●	●
V202	SPST, N.O.	10 to 30 Vac/dc, 208 to 277 Vac		●	Resistive	●	●
V203	SPST, N.O.	10 to 30 Vac/dc, 208 to 277 Vac		●	Digital	●	●