



SD, SD-R01, SD-Z & MX1



SPOT LEAK DETECTORS

FEATURES

- Simple installation – screw, or ram-set to floor (SD, SD-R01, SD-Z)
- Simple operation...no maintenance
- Solid-state design...no moving parts to fail
- SD, SD-R01, SD-Z models have polymer-coated sensing probes...no exposed metal that will rust
- All models are fully potted for water resistance...maximum durability

DESCRIPTION

SD, SD-R01, SD-Z and MX1 Spot Detectors detect conductive fluids at a single point for the most economical way to detect fluids in small, confined areas. These devices are commonly used in small rooms and in air-conditioning drip pans. Use only with SC conductive fluid leak detection cables.

Veris offers four models of spot detectors which can integrate with various building management systems.

SPECIFICATIONS (SD, SD-R01, SD-Z)

Input Power: SD-R01 Only	24 Vac/dc ±10%; 0.1 A max. (AC: 50/60 Hz)
Storage Environment	-20 to 70 °C (-4 to 158 °F)
OUTPUTS	
Solid-state: SD Only	12 to 36 Vac@0.01 A min., 0.1 A max., 50/60 Hz; 18 to 36 Vdc@0.01 A min., 0.1 A max.
Relay: SD-R01 Only	Dry Contact, Form C; 1 A@24 Vdc, 0.5 A @120 Vac resistive
LEADER CABLE (NSC)	
Length:	
SD	14 ft. (4.2 m)
SD-R01	14 ft. (4.2 m)
SD-Z	10 ft. (0.3 m) (2 cables included)
Connector: SD-Z Only	1 male, 1 female; 4 pin, 0.96" (24.38 mm) diameter; connects to SC or NSC Cable
OPERATING ENVIRONMENT	
Temperature	0 to 50 °C (32 to 122 °F)
Humidity	5% to 95% RH non-condensing
Altitude	10,000 ft. (3,048 m) max.

SPECIFICATIONS (MX1)

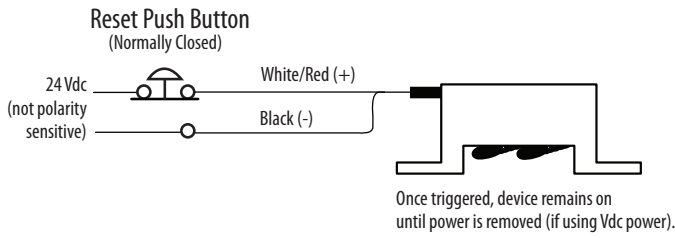
Input Power	12 to 30 Vdc/24 Vac, 50/60 Hz; typical 10-year life lithium battery model available
Max Current Draw, MX1V	10 mA
Output	N.C. solid-state, (opens on alarm)
Output Rating	30 Vac/dc@0.1 A max., not polarity sensitive
Sensing Electrodes	Gold plated
OPERATING ENVIRONMENT	
Temperature	-20 to 80 °C (-4 to 176 °F)
Humidity	0 to 100% RH
Water Resistance	Not intended for continuous submersion in water
WARRANTY	
Limited Warranty	5 years

MODEL	DESCRIPTION
SD Spot Detector	<ul style="list-style-type: none"> • Operates on either 12 to 36 Vac or 18 to 36 Vdc power • Includes a 14 ft. (4.2 m) leader cable
SD-R01 Spot Detector with Relay Output	<ul style="list-style-type: none"> • Works with any system that accepts dry contacts • Operates on 24 Vac/dc ±10% • Automatically resets when conductive fluid is no longer present (AC power only; if DC power is used, device must be reset by disconnecting power momentarily) • Includes a 14 ft. (4.2 m) leader cable
SD-Z Spot Detector	<ul style="list-style-type: none"> • Designed for use with all RLE detection panels, with SC sensing cable to integrate both zone and spot detection into one panel • Powered by the LD310, LD1000, LD5200, LDRA6, or LD2000 • When used with a distance read panel (LD2000 or LD5200), the location of the leak will be identified (simulates 50 feet) • Includes one male and one female end connector, each on a 1 ft (30 cm) lead wire
MX1 Spot Detector	<ul style="list-style-type: none"> • Battery-operated or 12 to 30 Vdc/24 Vac powered

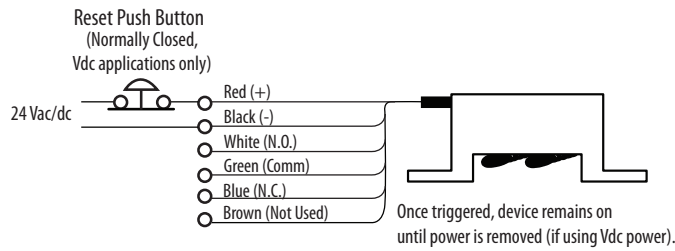


WIRING DIAGRAMS

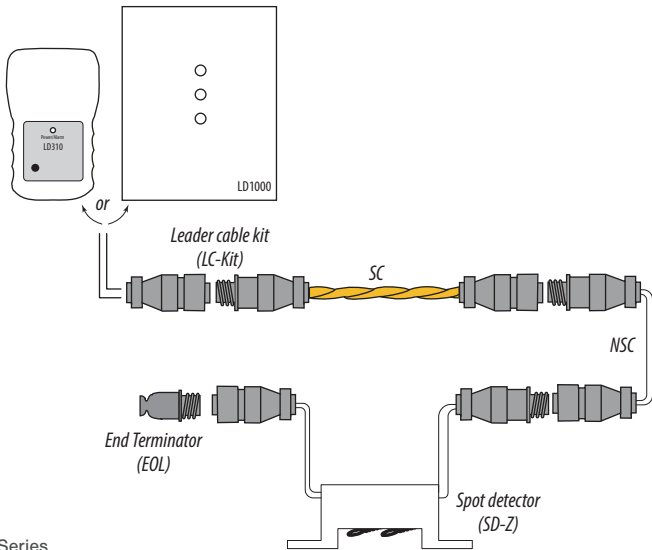
SD



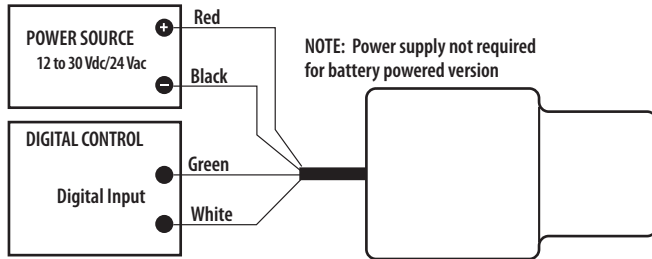
SD-R01



SD-Z

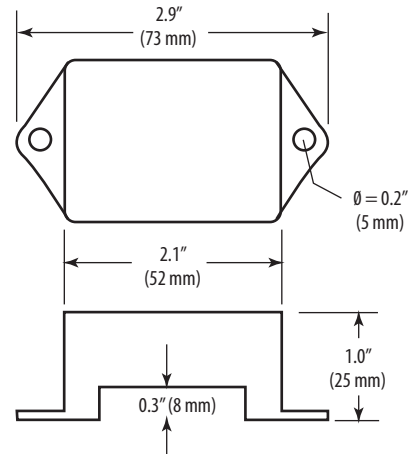


MX1 Series

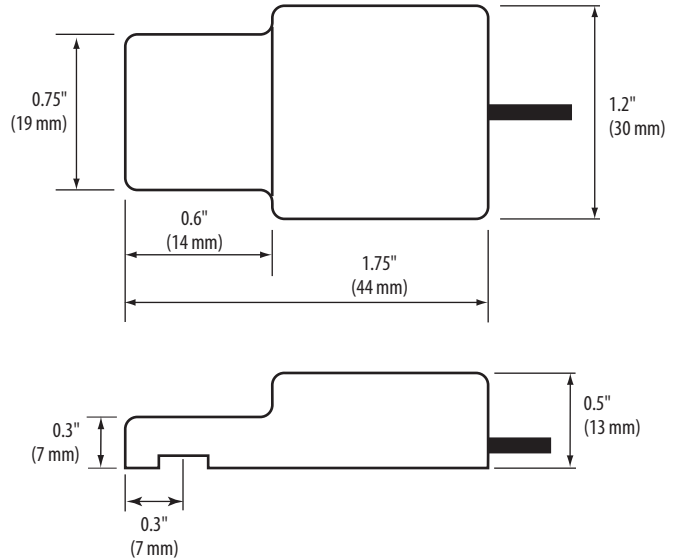


DIMENSIONAL DRAWINGS

SD Series



MX1 Series



ORDERING INFORMATION



MODEL	MANUF. PART #	DESCRIPTION	CE	ETL
U006-0006	SD	Spot Detector, 14' leader cable	●	●
U006-0007	SD-R01	Spot Detector, 14' leader cable, relay out	●	●
U006-0008	SD-Z**	Spot Detector, 2x10" leader cable	●	●
MX1B	MX1B	Spot Detector, battery		
MX1V	MX1V	Spot Detector, 12 to 30 Vdc/24 Vac		

*The CE mark indicates RoHS2 compliance. Please refer to the CE Declaration of Conformity for additional details.

** The SD-Z uses DIN style connectors. Connect it via the LC-KIT, or integrate it into an LC-KIT-SC/NSC cable configuration.