



PRESSURE

MULTI-RANGE CRITICAL DIFFERENTIAL AIR PRESSURE TRANSMITTER MRC SERIES

DESCRIPTION

The **Setra MRC Series differential pressure transmitter** is the first multi-range transducer designed for critical environments and the stringent requirements of difficult applications. The **MRC** offers class leading $\pm 0.5\%$ FS accuracy in selectable ranges down to 0.1"W.C., which is required for critical applications. **Setra's MRC** comes with three different housing configurations; duct probe, DIN Rail mount and a universal model to cover any installation changes on the job site.

The **MRC** housing is a robust IP67 rated design and is sealed with a gasket to make it wash-down capable for difficult applications.

FEATURES

- High accuracy $\pm 0.5\%$
- Field configurable duct probe
- 4 digit LCD
- Field selectable range
- Field selectable output
- Field accessible push-button zero and span
- External mounting tabs and optional DIN Rail

NEW!

setra



MRC-S-A



SPECIFICATIONS

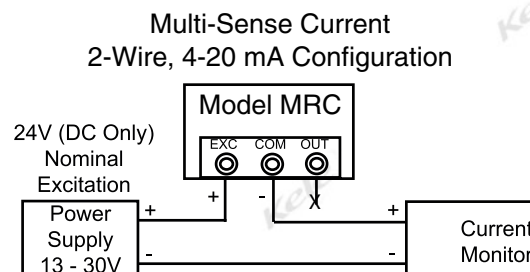
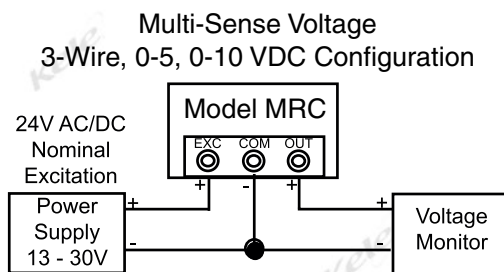
Supply Voltage	13 to 30 VDC @20mA	Operating Humidity	0 to 95% Non-condensing
Current Output	13 to 30 VDC/13 to 30 VAC	Wetted Parts	17-4 SS diaphragm
Volts Output	@4.9mA/0.12VA	Media Compatibility	
Accuracy	$\pm 0.5\%$ full scale	Inert	Dry air
Signal Output	0-5V @ 10K Ω , 0-10V @ 10K Ω , 4-20mA @ 800 Ω	Process Connection	3/16" OD Brass barb, for 1/4" OD tubing
Sensor Type	Capacitive	Wiring Removable	2, #8 screws, Vertical or Duct or DIN rail
Adjustments	(Z/S) Push Button Zero & Span	Mounting	
Normal Measurement Range	Multirange, 0 to .25" WC, Bi-Directional	Enclosure Rating	Polycarbonate w/hinged door, NEMA 4 (IP67)
Display	4 Digit Auto-ranging, 1/8" high LCD Display	Dimensions	5.45"W x 3.7"H x 1.96"D, (13.88 x 9.4 x 4.9 cm)
Overpressure	(Burst) ± 10 PSI (69 kPa)	Weight	0.5 lb (0.28 Kg)
Max Operating Pressure	(Proof) ± 1 (6.9 kPa)	Approvals	CE, RoHS, UL94V-0
Operating Temperature	32 to 122°F (0 to 50°C)	Warranty	1 year

PRESSURE

17

WIRING

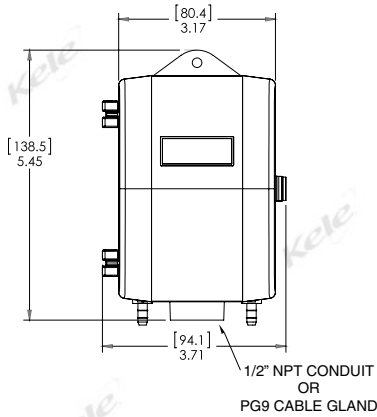
ELECTRICAL CONNECTIONS Removable Terminal Block for Easy Wiring



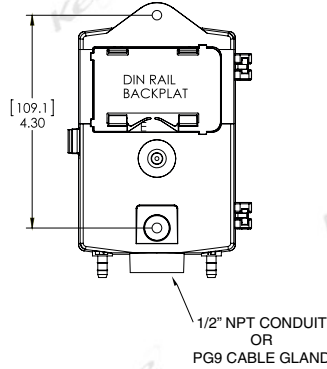


DIMENSIONS

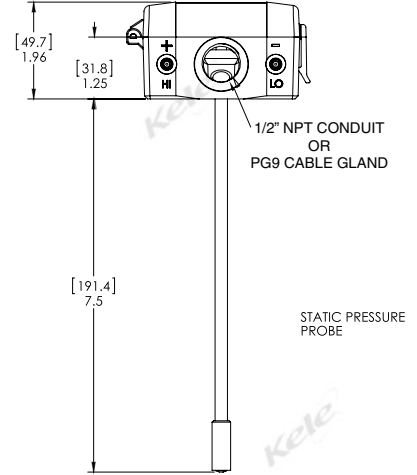
Front View (-S)



Back View (-D)



Duct Mount (-P)



ORDERING INFORMATION

MODEL	DESCRIPTION
MR	Pressure Transducer with 4 Field Selectable Ranges
	FIELD SELECTABLE RANGES
C	0.1" W.C. (25 PA) +/- 0.1" WC (+/-25 PA)
	CONFIGURATION
S	Standard Wall Mount with high-low barb fittings
U	Universal with Wall, Duct Probe and DIN Rail Mounts
D	DIN Rail Mount with high-low barb fittings
P	Duct Mount with 7.5" probe to high port
	OPTIONS
A	1/2" Conduit
P	PG9 Liquid Tight Cable Gland
C	1/2" NPT Conduit w/ Cal Cert
D	PG9 Liquid Tight Cable Gland with Cal Cert

MR - C - S - A *Example:* MR-C-S-A Multi-range differential pressure transmitter standard mount 1/2" conduit

Note: Universal configuration includes duct probe and DIN rail options
Calibration is performed at the highest range.

RELATED PRODUCTS

DCPA-1.2 Power supply, 120 VAC In to 24 VAC/24 VDC Out
691-K0A Control transformer, 120:24 VAC, 40 VA, Class 2
DCP-1.5-W Power supply, 24 VAC IN to 24 VDC OUT

ACCESSORIES

A-306-K Outdoor static pressure sensor
A-3245K A-302-K duct static pressure tip, 1/4" barb with A-345-K mounting flange
RPS Stainless steel room pressure sensor, 1/4" barb
SD-01 Surge dampener