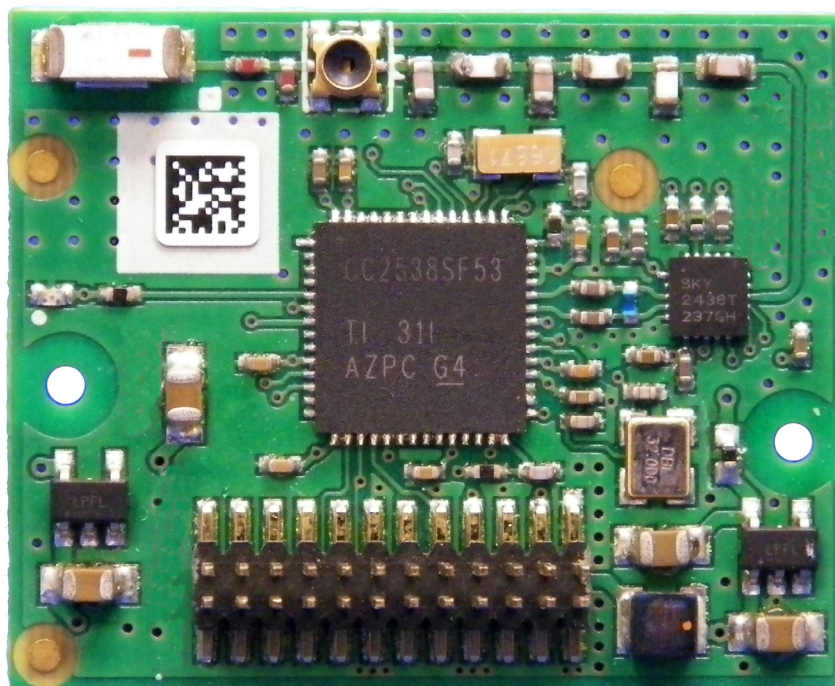


ZigBee Pro Module Installation Guide

SE8000 Series Room Controllers
Optional ZigBee Pro Module (VCM8000V5045P)



Get Control. Get Efficient. Get Value™

Schneider
Electric

This guide shows you how to install the ZigBee Pro wireless module with a SER/SE8000 Series Room Controller.

1. Remove security screw on bottom of Room Controller cover.
2. Open unit by pulling on bottom of Room Controller (Figure 1).
3. Carefully remove Room Controllers Motherboard from casing and turn over.
4. Locate gap in upper-right corner of Room Controllers Motherboard and locate holes to insert ZigBee Pro module to Motherboard (Figure 2).
5. Align connector pins on ZigBee Pro module with holes on Motherboard.
NOTE: ensure alignment of pins is correct so as to not damage ZigBee Pro module.
6. Gently press ZigBee Pro module into Room Controllers Motherboard until it fits snugly in place.
NOTE: do not press too hard to avoid damage to ZigBee Pro module.
7. Gently replace Room Controllers Motherboard into casing
8. Gently align cover to top of base and snap in place from bottom (Figure 3).
9. Install security screw.

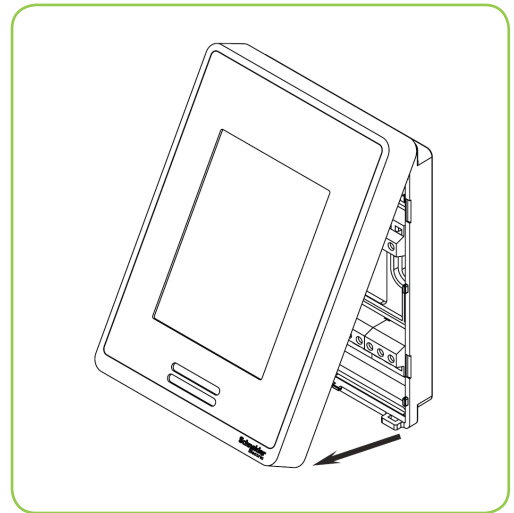


Figure-1

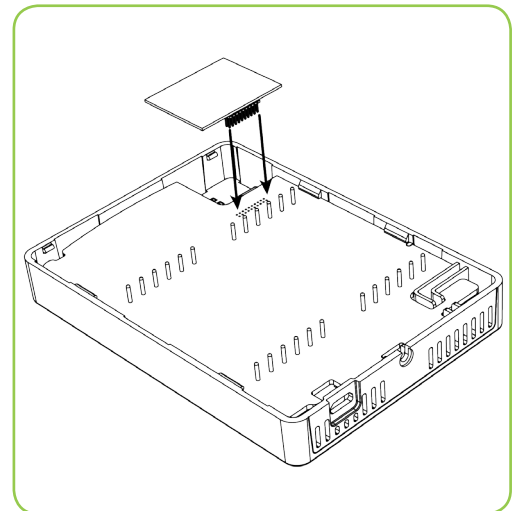


Figure-2

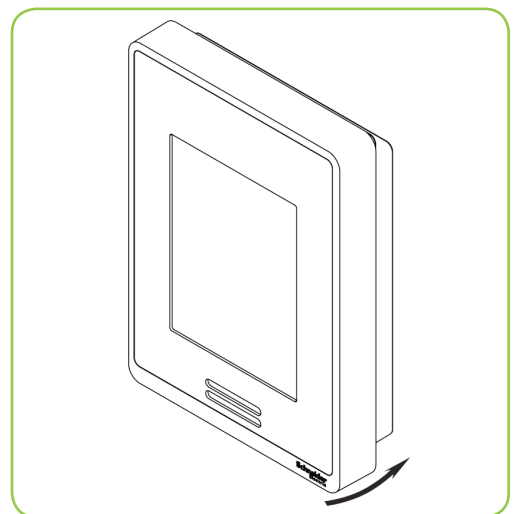


Figure-3

Quick setup

This short procedure is intended to let you pair a ZigBee sensor with your Room Controller. It assumes that all the back-end configuration of the stand alone Room Controller acting as coordinator or the Multi-Purpose Manager (MPM) coordinator for the ZigBee network has already been done, and it assumes that the user is familiar with the **Permit Join** function and the **Wireless Ecosystem** screen functions.

PROCEDURE

1. Set **Permit Join** on your Room Controller (or networked MPM coordinator if used) to **On**.
2. Go to the first unused **Zone** screen in the **Wireless Ecosystem** section of the Room Controller's interface.
3. Insert the battery or remove the pull tab (for contact sensors) to activate the ZigBee sensor
4. Verify that the sensor has joined the network, and that on the **Zone** screen the **Paired** field status reads **Yes**.
5. Set the **Set function to** parameter to the correct setting.
6. Set **Permit Join** on your Room Controller (or networked MPM coordinator if used) to **Off**.
7. Conditional to use of door or window contact sensors
 - a) Go to the first screen in the **Configuration** section of the interface.
 - b) For window sensor, set **UI 16** to **Window**
 - c) For door sensor, set **UI 17** to **Door Dry**
8. Physically install the sensor.

TROUBLESHOOTING

If the short procedure described here is insufficient or an MPM or Room Controller needs to be configured, please refer to the **SE8000 Room Controllers ZigBee Pro Wireless Integration Guide** available on buildingsdownloads.schneider-electric.com.