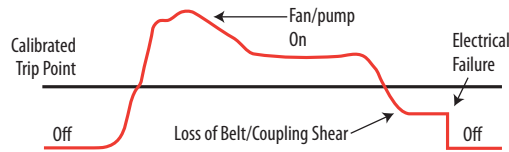




H735, Hx38, Hx48, Hx58 Series

Hawkeye™

DETECTS BELT LOSS/COUPLING SHEAR!



Now you can easily detect when drive belts slip, break, or pump couplings shear. In fact, a typical HVAC motor that loses its load has a reduction of current draw of up to 50%. That's why our sensors are the industry standard for status.

STATUS & CONTROL IN ONE PACKAGE

DESCRIPTION

The Hawkeye Relay Combination Series is the ideal solution for the automation installer. These units combine a current switch and relay into a single package, reducing the space required for total control of fans and pumps. The current switch and relay operate independently of one another. These devices allow start/stop control and status monitoring with one device instead of two.

APPLICATIONS

- Starting/stopping and monitoring positive status of motors
- Detecting belt loss and coupling shear

SPECIFICATIONS

Sensor Power	Induced from monitored conductor
Insulation Class	600 Vac RMS
Frequency Range	50/60 Hz
Temperature Range	-15 to 60 °C (5 to 140 °F)
Humidity Range	10 to 90% RH non-condensing
Hysteresis	10% Typical
Terminal Block Wire Size	24 to 14 AWG (0.2 to 2.1 mm ²)
Terminal Block Torque	3.5 to 4.4 in-lbs (0.4 to 0.5 N-m)
Agency Approvals	UL 508 open device listing, CAT III, pollution degree 2, basic insulation
Limited Warranty	5 years

Note: Do not use the LED status indicators as evidence of applied voltage.

RELAY CONTACT RATINGS

H735 (SPST, N.O.)

Resistive 5 A @ 250 Vac, 30 Vdc

Inductive 3 A @ 250 Vac, 30 Vdc

Hx38, Hx58 (SPDT N.O.)

Resistive 10 A @ 250 Vac, 30 Vdc

Inductive 5 A @ 250 Vac, 30 Vdc

Hx48 (SPDT)

Resistive 8 A @ 250 Vac, 30 Vdc

Inductive 3.5 A @ 250 Vac, 30 Vdc

TYPICAL COIL PERFORMANCE

Voltage	AC	DC
24V	10 mA	10 mA
12V (Hx58)		20 mA
Pull In Voltage		
Hx3x		20.1 Vdc
Hx48		20.1 Vdc
Hx58		8.4 Vdc
Drop Out Voltage		
Hx3x		5.2 Vdc
Hx48		5.2 Vdc
Hx58		3.0 Vdc

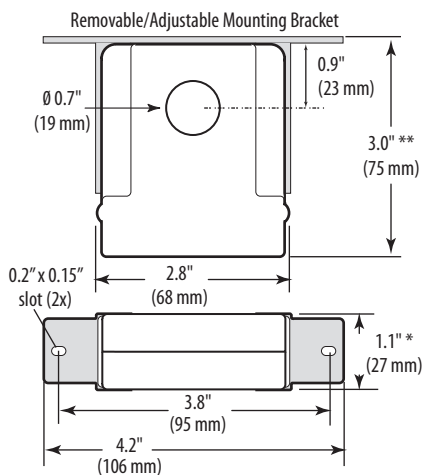
FEATURES

- Combines command relay and fan/pump status sensor in a single, easy to install unit
- Reduces number of components installed...fits better in small starter enclosures
- Detect belt loss and motor failure...ideal for fan and pump status
- H748 and H948 feature a SPDT command relay...control two outputs with a single relay
- Bracket on H938, H948, and H958 can be installed in three different configurations...added flexibility
- Reduced charges from electrician
- Relay and status LEDs for easy setup
- Polarity insensitive status output...fast and easy installation
- Adjustable setpoint for current sensor status...fits many applications
- 5-year warranty

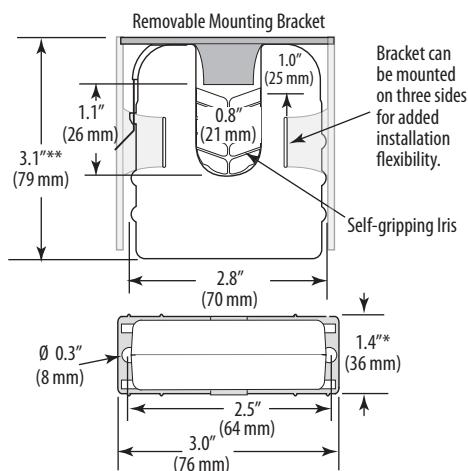


DIMENSIONAL DRAWINGS

H735/738/748/758



H938/948/958



* Terminal block may extend up to 1/8" over the height dimensions shown.

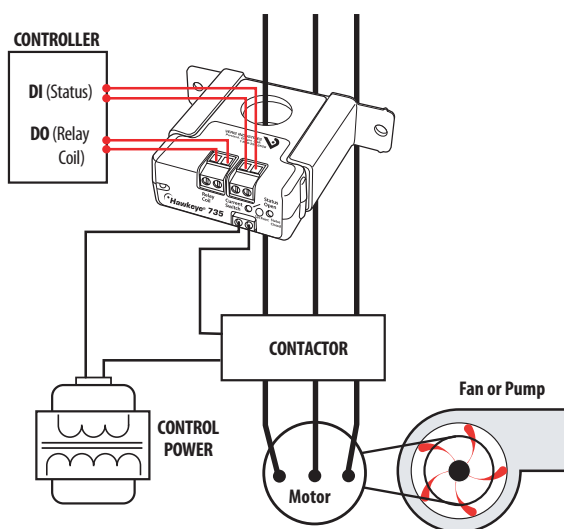


ORDERING INFORMATION

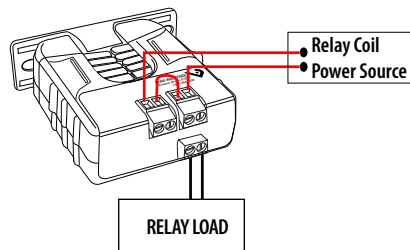
MODEL	AMPERAGE RANGE	STATUS OUTPUT (MAX.)	MIN. TRIP POINT	RELAY	COIL VOLTAGE	HOUSING	STATUS LED	RELAY POWER LED	UL	
H735	1 to 135 A	0.1 A @ 30 Vac/dc	1 A or less	SPST, N.O.	24 Vac/dc	Solid-core	●	●	●	
H738	1 to 135 A		1 A or less	SPST, N.O.	24 Vac/dc	Solid-core	●	●	●	
H748	1 to 135 A		1 A or less	SPDT	24 Vac/dc	Solid-core	●	●	●	
H758	1 to 135 A		1 A or less	SPST, N.O.	12 Vdc nom.	Solid-core	●	●	●	
H938	2.5 to 135 A		1.0 A @ 30 Vac/dc	2.5 A or less	SPST, N.O.	24 Vac/dc	Split-core	●	●	●
H948	2.5 to 135 A			2.5 A or less	SPDT	24 Vac/dc	Split-core	●	●	●
H958	2.5 to 135 A	2.5 A or less		SPST, N.O.	12 Vdc nom.	Split-core	●	●	●	

WIRING DIAGRAMS

Start/Stop Monitoring of Fan /Pump Motors



Relay Controlled Directly by Status Contacts



ACCESSORIES

DIN Rail Clip Set (AH01)

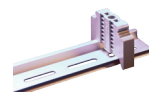
DIN Rail (AV01) and DIN Stop Clip (AV02)



AH01



AV01



AV02