

# H681x-V Series



H681x-V

## SPECIFICATIONS

Agency Approvals	UL61010-1 recognized, EN61010-1
<b>INPUTS</b>	
Frequency Range	50/60 Hz
Leads	6 ft (1.8 m)
<b>ACCURACY</b>	
Accuracy	±1% of reading from 10% to 100% of rated current
<b>OUTPUTS</b>	
Output @ Rated Current	0.333 or 1 Vac (basic)
<b>MECHANICAL</b>	
Insulation	600 Vac
<b>ENVIRONMENTAL</b>	
Installation Category III	Pollution Degree 2
Operating Temp Range	2400 A models only: -15 to 50 °C (5 to 122 °F); All other models: -15 to 60 °C (5 to 140 °F)
Storage Temp Range	-40 to 70 °C (-40 to 158 °F)
Humidity Range	0 to 95% non-condensing
<b>WARRANTY</b>	
Limited Warranty	5 years

## MEDIUM CURRENT RANGES

### DESCRIPTION

The **H681x-V Series** of current transducers provide a standard voltage output for use with data loggers, chart recorders, and power monitoring equipment. H681x CTs are split-core and have 0 to 0.333 Vac and 1 Vac output options.

### FEATURES

- High accuracy: ±1% from 10% to 100% of rated current
- 1 V or 0.333 V output versions available
- UL Recognized

### APPLICATIONS

- Data logging
- Recording
- Power monitoring
- Energy management
- Alternative energy monitoring
- Cost allocation



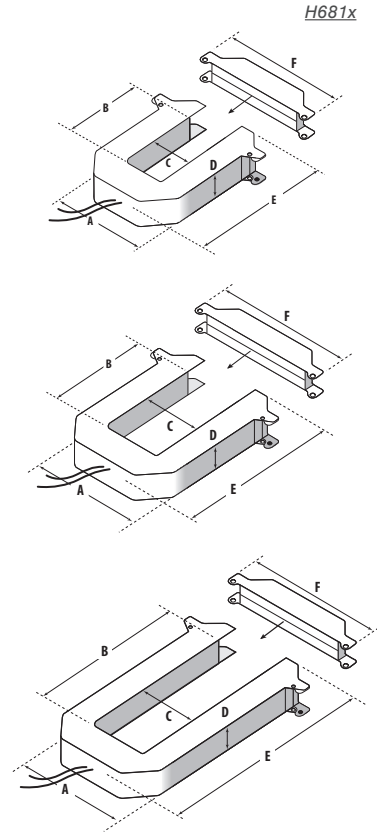
## ORDERING INFORMATION



MODEL	DESCRIPTION
H6810-100A-.3V	Split-core CT, Size 2, 100 A: 0.333 V
H6810-200A-.3V	Split-core CT, Size 2, 200 A: 0.333 V
H6810-300A-.3V	Split-core CT, Size 2, 300 A: 0.333 V
H6811-400A-.3V	Split-core CT, Size 3, 400 A: 0.333 V
H6811-600A-.3V	Split-core CT, Size 3, 600 A: 0.333 V
H6811-800A-.3V	Split-core CT, Size 3, 800 A: 0.333 V
H6812-800A-.3V	Split-core CT, Size 4, 800 A: 0.333 V
H6812-1000A-.3V	Split-core CT, Size 4, 1000 A: 0.333 V
H6812-1200A-.3V	Split-core CT, Size 4, 1200 A: 0.333 V
H6812-1600A-.3V	Split-core CT, Size 4, 1600 A: 0.333 V
H6812-2000A-.3V	Split-core CT, Size 4, 2000 A: 0.333 V
H6812-2400A-.3V	Split-core CT, Size 4, 2400 A: 0.333 V
H6810-100A-1V	Split-core CT, Size 2, 100 A: 1 V
H6810-200A-1V	Split-core CT, Size 2, 200 A: 1 V
H6810-300A-1V	Split-core CT, Size 2, 300 A: 1 V
H6811-400A-1V	Split-core CT, Size 3, 400 A: 1 V
H6811-600A-1V	Split-core CT, Size 3, 600 A: 1 V
H6811-800A-1V	Split-core CT, Size 3, 800 A: 1 V
H6812-800A-1V	Split-core CT, Size 4, 800 A: 1 V
H6812-1000A-1V	Split-core CT, Size 4, 1000 A: 1 V
H6812-1200A-1V	Split-core CT, Size 4, 1200 A: 1 V
H6812-1600A-1V	Split-core CT, Size 4, 1600 A: 1 V
H6812-2000A-1V	Split-core CT, Size 4, 2000 A: 1 V
H6812-2400A-1V	Split-core CT, Size 4, 2400 A: 1 V

\*The CE mark indicates RoHS2 compliance. Please refer to the CE Declaration of Conformity for additional details.

## DIMENSIONAL DRAWINGS



**H6810  
SMALL (SIZE 2)  
100/300 Amp**

A = 3.8" (96 mm)  
B = 1.2" (30 mm)  
C = 1.3" (31 mm)  
D = 1.2" (30 mm)  
E = 4.0" (100 mm)  
F = 4.8" (121 mm)

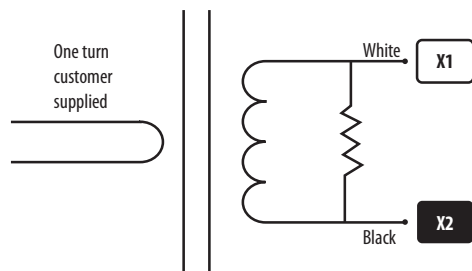
**H6811  
MEDIUM (SIZE 3)  
400/800 Amp**

A = 4.9" (125 mm)  
B = 2.9" (73 mm)  
C = 2.5" (62 mm)  
D = 1.2" (30 mm)  
E = 5.2" (132 mm)  
F = 6.0" (151 mm)

**H6812  
LARGE (SIZE 4)  
800/1600/2400 Amp**

A = 4.9" (125 mm)  
B = 5.5" (139 mm)  
C = 2.5" (62 mm)  
D = 1.2" (30 mm)  
E = 7.9" (201 mm)  
F = 6.0" (151 mm)

## WIRING EXAMPLE



## ACCESSORIES

Universal Mounting Bracket Kit for H681x CTs (AH06)

