

**Thermostat Conversion Kit  
Installation Instructions**

**Application**

The 22-023 Thermostat Conversion Kit is designed to allow the easy replacement of old or competitive pneumatic wall thermostats with a 2 in. x 2 in. Schneider Electric pneumatic room thermostat. The contents of each kit are listed in (Table-1).

**Table-1 Thermostat Conversion Kit Parts List.**

Description	Qty
Wall Plate	1
Insert	1
No. 8 x 1" Mounting Screw (for mounting the insert and wall plate directly to a wall)	2
No. 6 x 1" Mounting Screw (for mounting the insert and wall plate to a 2 x 4 electrical box)	2
No. 6 x 1" Thermostat Mounting Screw (optional screws for mounting the thermostat)	2
Barb Couplings 1/4" x 3/16"	2
Tubing Kit - Tube w/ 4 Eyelets	1

**Table-2 Pneumatic Thermostat Replacement Kits.**

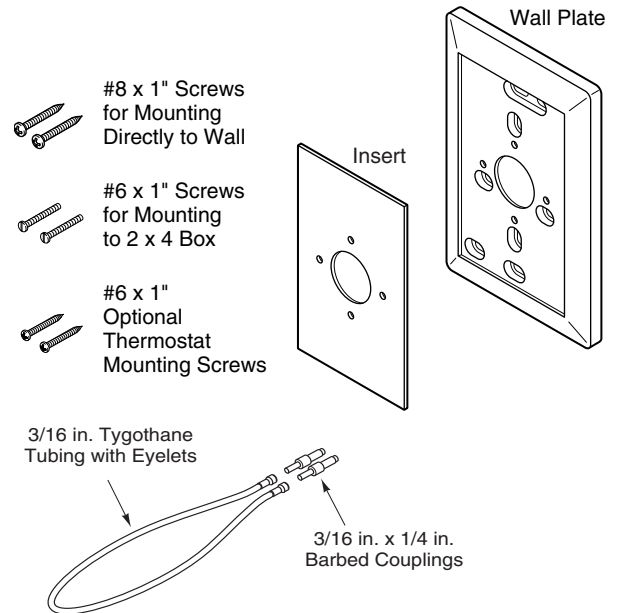
Replacment Kit Model	Description	Installation Instructions <sup>a</sup>
2212-618 2212-619	Two-Pipe Pneumatic Room Thermostat. Includes a Euro-white cover, the thermostat, and a 22-023 conversion kit.	F-27495

<sup>a</sup> Installation Instructions are provided with each thermostat.

**INSTALLATION**

**Requirements**

- Tools (not provided):
  - Appropriate screwdriver for mounting the wall plate
- Installer must be a qualified, experienced technician
- Refer to the Installation Instructions packaged with the thermostat (Table-2), for additional requirements to be considered during installation.



**Mounting**

**General Mounting Instructions**

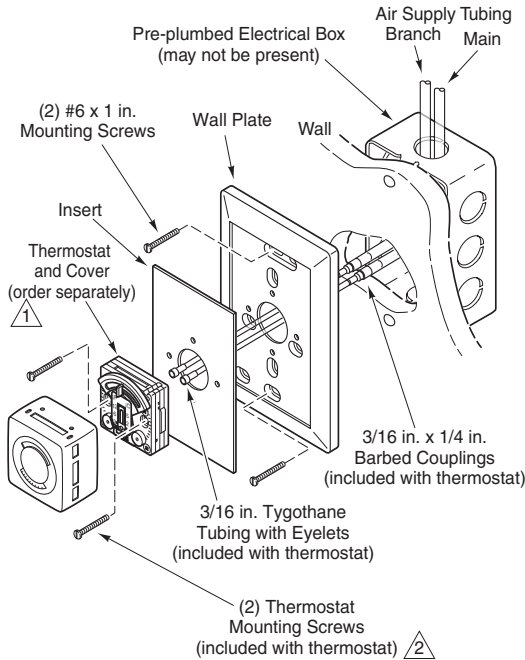
1. Remove the old thermostat from its pipe head.

*Note:*

- For instructions on mounting a particular model pneumatic thermostat, using this kit, refer to the Installation Instructions packaged with the thermostat (Table-2).
- The following instructions refer to the installation of a two-pipe thermostat. One pipe thermostats have one tubing connection and must be connected on the outlet side of the restrictor tee.

2. Install the two 3/16" x 1/4" barbed couplings into 1/4" polyethylene system tubing. Be sure the couplings are fully inserted into the tubing, and note which tube is the main air line and which is the branch air line.
3. Slide two of the supplied eyelets onto the 3/16" Tygothane tubing, then push both ends of the tubing onto the two barbed couplings. Be sure the couplings are fully inserted into the tubing, then push the eyelets into place.
4. Pull the Tygothane tubing through the hole in the center of the wall plate.

- If the wall plate is to be installed directly onto the wall, without the use of a 2 x 4 electrical box, center the wall plate over the marks left by the old thermostat, then position it so that it is level. The wall plate may be mounted in a vertical or horizontal orientation. Secure the wall plate in place, using the two #8 x 1" mounting screws. Take care not to overtighten these screws.
- If the wall plate is to be installed onto a 2 x 4 electrical box, align the wall plate's mounting holes with the mounting holes on the electrical box. Secure the wall plate to the electrical box, using the two #6 x 1" mounting screws.



- The pneumatic thermostat replacement kits listed in Table-2 include a Euro-white cover, a thermostat, and a 22-023 thermostat conversion kit.
- Optionally, the thermostat may be mounted with the #6 x 1 in. self-tapping screws provided in the 22-023 kit.

Figure-1 Mounting Conversion Kit and Thermostat to Wall.

- Cut the Tygothane tubing.
- Remove the adhesive backing from the insert, then pass the Tygothane tubing through the hole in the center of the insert.
- Carefully align the insert with the recess in the wall plate, then press the insert in place.
- Slide the two remaining eyelets onto the Tygothane tubing, then attach the main air line to the thermostat port marked "M", and the branch air line to the port marked "B". Push the eyelets into place.

- Position the thermostat on the insert, aligning the mounting holes and taking care not to kink the Tygothane tubing. Then, fasten the thermostat to the wall plate, using the two mounting screws provided with the thermostat. Optionally, the #6 x 1" self-tapping screws included with the 22-023 kit may be used to mount the thermostat.
- Adjust and calibrate the thermostat according to the procedures outlined in the Installation Instructions (Table-2) that are packaged with it.
- Install the cover onto the thermostat and secure it in place with the allen screw in the bottom of the thermostat.

## DIMENSIONAL DATA

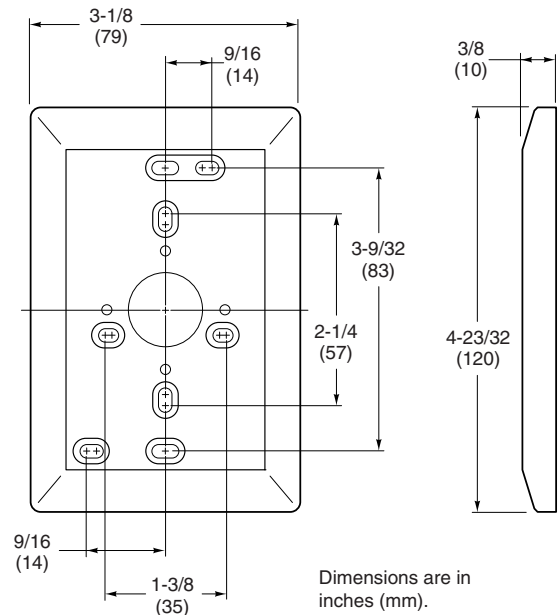


Figure-2 Mounting Dimensions.

On October 1st, 2009, TAC became the Buildings business of its parent company Schneider Electric. This document reflects the visual identity of Schneider Electric, however there remains references to TAC as a corporate brand in the body copy. As each document is updated, the body copy will be changed to reflect appropriate corporate brand changes.

Copyright 2010, Schneider Electric  
All brand names, trademarks and registered trademarks are the property of their respective owners. Information contained within this document is subject to change without notice.

Schneider Electric  
1354 Clifford Avenue  
P.O. Box 2940  
Loves Park, IL 61132-2940  
[www.schneider-electric.com/buildings](http://www.schneider-electric.com/buildings)

**Schneider**  
Electric