

Application

The AV-817 adapter kit enables mounting of Schneider Electric pneumatic, Forta and SmartX actuators (electric-electronic) to 1/2" to 2" Robertshaw V6xxx Series and Uni-Line 256x Series valves with 3/8" and 5/8" stroke. The kit includes a stem adapter for Forta actuators.

Consult the *AV-8xx Series Competitive Globe Valve Adapters Selection Guide*, F-27470, for compatible Schneider Electric actuators.

WARNING:

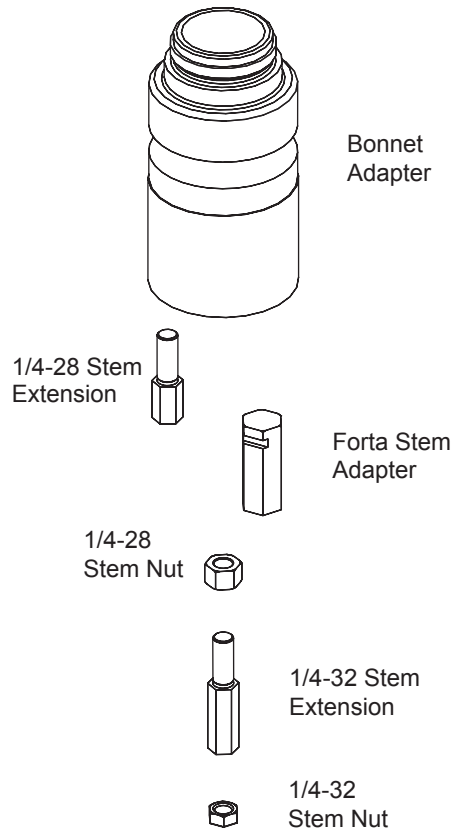
- For proper operation, the stroke of the Schneider Electric actuator selected must be equal to or greater than that of the valve.
- Depressurize the valve before removing the existing actuator and linkage and check integrity of the valve stem and plug by moving the stem up and down. If the valve stem and plug have been damaged, stem may blow out under pressure and cause injury and equipment damage.

CAUTION:

- Do not remove the packing cap from the valve.

Applicable Literature

- *AK-42309-500 Pneumatic Positive Positioner Relay General Instructions*, F-22909
- *AV-401 Valve Linkage Kit for MK-4601, MK-4611, MK-4621 Actuators*, F-25586
- *AV-430 Valve Linkage Kit for MK-68x1 Pneumatic Actuators General Instructions*, F-19072
- *AV-8xx Series Competitive Globe Valve Adapters Selection Guide*, F-27470
- *MK-46xx Series Pneumatic Valve Actuators General Instructions*, F-13894
- *MK-6xx1 Series Pneumatic Valve Actuator General Instructions*, F-13895
- *Mx51-710x Two-Position, Floating, and Proportional Linear SmartX Actuators General Instructions*, F-27169
- *Mx51-720x Two-Position, Floating, and Proportional Linear SmartX Actuators General Instructions*, F-27120
- *Electric-Electronic Products Catalog*, F-27382
- *Schneider Electric Forta M400A/M800A General Instructions*, DIM119E (F-27506)
- *Pneumatic Products Catalog*, F-27383

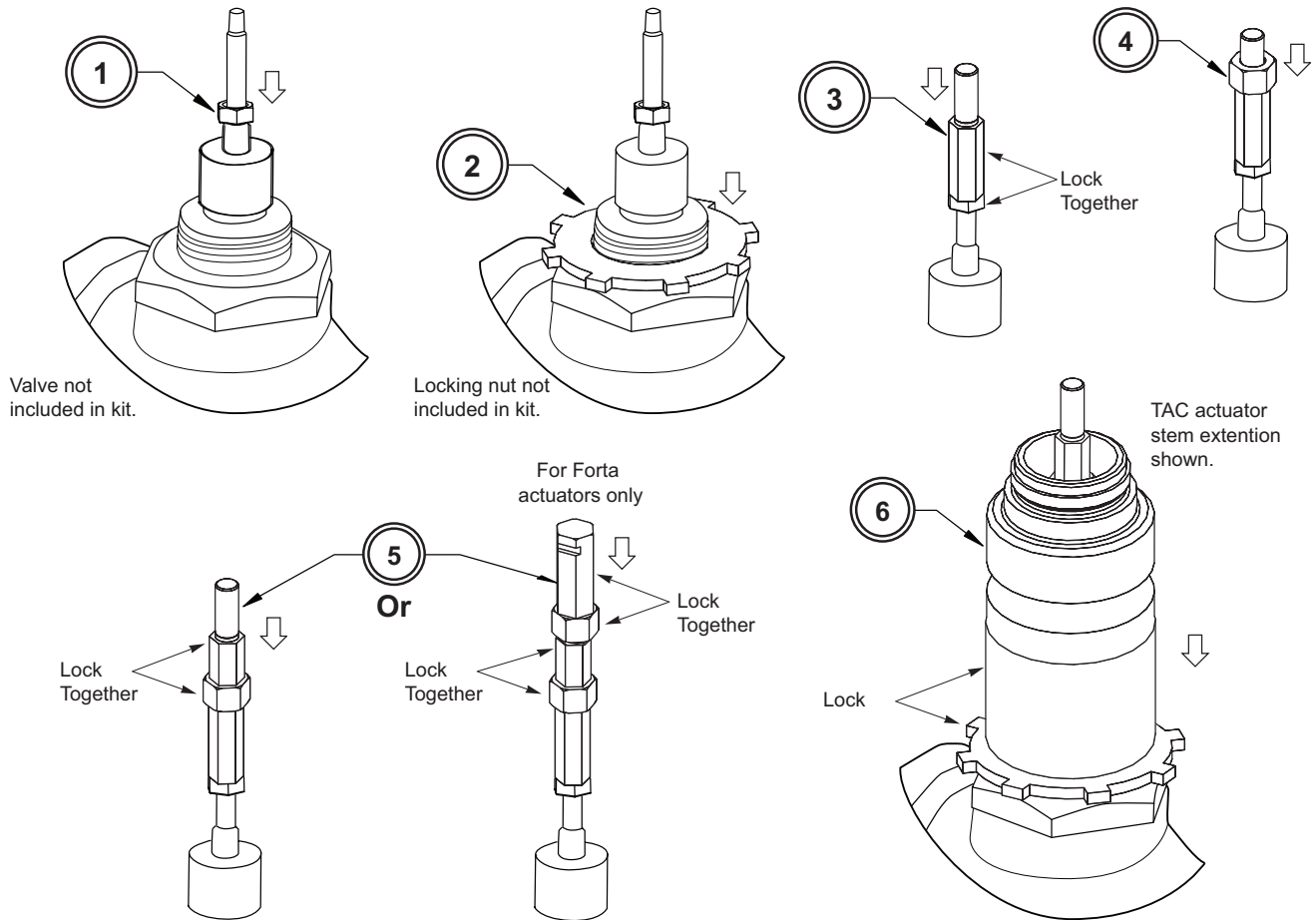


Tools Needed

- 3/8" Combination Wrench
- 5/16" Combination Wrench
- 7/16" Combination Wrench
- Strap wrench

Assembly Instructions

1. Follow the steps below.



2. When locking the stem adapters to the stem nuts, use appropriate wrenches. Use a strap wrench to tighten the bonnet adapter to the valve locking nut.
3. After the AV-817 adapter is installed, install the selected actuator and linkage (if required) according to the actuator installation instructions.

Maintenance Parts

Actuator and linkage maintenance parts may be obtained from Schneider Electric.