



# ACI SUBMITTAL SHEET

TEMPERATURE

RTDS

## A/1K-2W-INW-4"-PB

### Sensor Specifications

Sensor Output	1K Ohm @ 32°F (0°C)
Accuracy	If Single Point: +/-0.06% @ 32°F (0°C) If Averaging: +/- 1.0 Ohm @ 32°F
Stability	+/-0.13°C (+/-0.23°F)
Repeatability	+/-0.36°F (+/- 0.2°C)
Operating Temperature Range	If Single Point: -58 to 392°F (-50 to 200°C) If Averaging: -50 to 275°F (-45.5 to 134.8°C)
Operating Humidity	0 to 100 % RH
Temperature Coefficient	0.00385 Ohm/Ohm/°C
Standardization	DIN-IEC-752
Resistance Characteristics	Standard +/- 0.06% Class A

This sensor is covered by ACI's 5 year limited warranty

**Configuration:** Immersion w/o well(304 Stainless Steel probe)

Immersion with no well included with double potted sensor and etched teflon leads

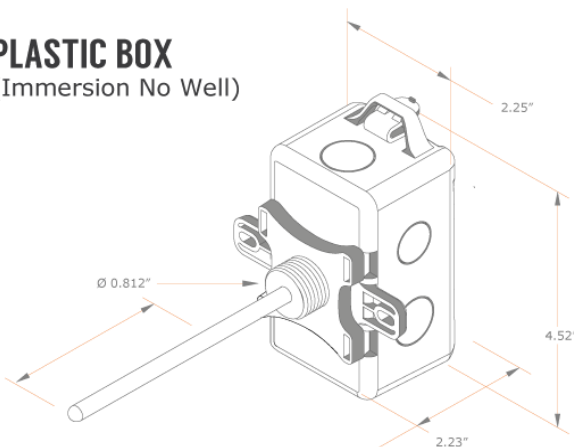
### Wire Specifications

Wire Rating	MIL-W-16878/4 Type E
Wire Description	22 AWG Etched Teflon
Wire Temperature Range	-67 to 392°F ( -55°C to 200°C)

### Enclosure Specifications

Enclosure Temperature Range	Maximum temp 203°F (95°C)
Enclosure Material	ABS (GP-22)
Enclosure Rating	94-HB (UL)

### PLASTIC BOX (Immersion No Well)



### INSERTION LENGTHS

PB=Plastic Box, GD=Galvanized, BB=NEMA 3R, 4X= NEMA 4X, EH=Euro

Part #	PB	GD	BB	4X	EH
INW-4"	3.31"	3.75"	3.63"	3.44"	3.69"
INW-6"	5.31"	5.75"	5.63"	5.44"	5.69"
INW-8"	7.31"	7.75"	7.63"	7.44"	7.69"
INW-12"	11.31"	11.75"	11.63"	11.44"	11.69"
INW-18"	17.31"	17.75"	17.63"	17.44"	17.69"
INW-24"	23.32"	23.75"	23.63"	23.44"	23.69"

