

Fan Coil Unit Application Guide

SER8300/SE8300 Series Room Controllers



Table of Contents

Application Guide

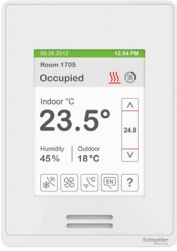
SER8300 Room Controller and SC3000 Relay Packs	2
SE8300 Room Controller	2
SER8300 FCU Applications	4
HEATING/COOLING 4-PIPE FAN COIL UNIT WITH 3-SPEED FAN AND 2-POSITION VALVES WITH WIRELESS DOOR SWITCH	4
COOLING AND ELECTRIC HEAT 2-PIPE FAN COIL UNIT WITH 3-SPEED FAN, DEHUMIDIFICATION AND 2-POSITION VALVES	6
HEATING/COOLING WITH CHANGEOVER SENSOR 2-PIPE FAN COIL UNIT 3-SPEED FAN AND WIRELESS WINDOW SWITCH	8
COOLING AND ELECTRIC HEAT 2-PIPE FAN COIL UNIT WITH 3-SPEED FAN, DEHUMIDIFICATION AND 2-POSITION VALVES	10
HEATING/COOLING 2-PIPE FAN COIL UNIT WITH 3-SPEED FAN, FRESH AIR DAMPER AND 2-POSITION VALVES	12
HEATING/COOLING 4-PIPE FAN COIL UNIT WITH 3-SPEED FAN AND 2-POSITION VALVES WITH SLAVE RELAY PACK	14
COOLING AND ELECTRIC HEAT 2-PIPE FAN COIL 3-SPEED FAN AND 2-POSITION VALVES WITH WIRED WINDOW SWITCH	16
HEATING/COOLING 4-PIPE FAN COIL UNIT WITH 3-SPEED FAN AND 2-POSITION VALVES WITH WIRED DOOR SWITCH	18
4-PIPE FAN COIL UNIT WITH 3-SPEED FAN, TRI-STATE FLOATING VALVES AND DEHUMIDIFICATION SEQUENCE FOR LOW VOLTAGE WITH WIRELESS DOOR SWITCH	20
4-PIPE FAN COIL UNIT WITH 3-SPEED FAN, 0-10 VDC ANALOG VALVES AND DEHUMIDIFICATION SEQUENCE FOR LOW VOLTAGE AND WIRELESS WINDOW SWITCH	22
4-PIPE FAN COIL UNIT WITH 3-SPEED FAN, 2-POSITION VALVES AND DEHUMIDIFICATION SEQUENCE FOR LOW VOLTAGE	24
2-PIPE FAN COIL UNIT WITH SINGLE SPEED FAN, 2-POSITION COOLING VALVE AND FRESH AIR DAMPER FOR LOW VOLTAGE	26
4-PIPE FAN COIL UNIT WITH 3-SPEED FAN, ANALOG COOLING VALVE AND N.C ON/OFF HEATING VALVE FOR LOW VOLTAGE	28
2-PIPE FAN COIL UNIT WITH 3-SPEED FAN AND 0-10VDC ANALOG COOLING VALVE FOR LOW VOLTAGE	30
2-PIPE FAN COIL UNIT WITH 3-SPEED FAN, 2-POSITION VALVE AND ELECTRIC REHEAT FOR LOW VOLTAGE	32
2-PIPE FAN COIL UNIT WITH 3-SPEED FAN, 2-POSITION VALVE AND ELECTRIC REHEAT FOR LOW VOLTAGE	32
2-PIPE FAN COIL UNIT WITH 3-SPEED FAN, 2-POSITION VALVE AND ELECTRIC REHEAT FOR LOW VOLTAGE	32
SE8300 as Zone Controllers	34
HEATING ONLY ANALOG VALVE ACTUATOR, 2 PIPE	34
COOLING ONLY ANALOG VALVE ACTUATOR, 2 PIPE	36
HEATING COIL WITH TRI-STATE FLOATING VALVE ACTUATOR AND PWM ELECTRIC DUCT HEATER	38
HEATING WITH REHEAT, MODULATING DUCT HEATER, ELECTRIC PERIMETER	40
HEATING AND COOLING WITH CHANGEOVER SENSOR AND REHEAT, ANALOG VALVE ACTUATOR,	42
HEATING AND COOLING WITH CHANGEOVER SENSOR AND REHEAT, TRI-STATE FLOATING ACTUATOR, PWM DUCT HEATER AND WATER SENSOR FOR CHANGEOVER, 2 PIPE	44
HEATING AND COOLING WITH CHANGEOVER SENSOR AND REHEAT, ANALOG 0-10 VDC AIR DAMPER ACTUATOR, PWM DUCT HEATER AND AIR SENSOR FOR CHANGEOVER, 2 PIPE	46
HEATING AND COOLING WITH CHANGEOVER SENSOR AND REHEAT, FLOATING AIR DAMPER ACTUATOR, PWM DUCT	46
HEATER AND SUPPLY AIR SENSOR FOR CHANGEOVER, 2 PIPE	48
COOLING AND REHEAT, ANALOG 0-10 VDC AIR DAMPER ACTUATOR, ANALOG DUCT HEATER AND ELECTRIC PERIMETER	50
SE8300 Mixed-Voltage Applications	52
120 VDC RELAY HEATING/COOLING 4-PIPE FAN COIL UNIT WITH HIGH VOLTAGE 3-SPEED FAN, AND 0-10 VDC ANALOG VALVES AND DEHUMIDIFICATION SEQUENCE FOR LOW VOLTAGE	52
240 VDC RELAY HEATING/COOLING 4-PIPE FAN COIL UNIT WITH HIGH VOLTAGE 3-SPEED FAN, AND 0-10 VDC ANALOG VALVES AND DEHUMIDIFICATION SEQUENCE FOR LOW VOLTAGE	54
120 VDC RELAY HEATING/COOLING 4-PIPE FAN COIL UNIT WITH HIGH VOLTAGE 3-SPEED FAN, TRI-STATE FLOATING VALVES AND DEHUMIDIFICATION SEQUENCE FOR LOW VOLTAGE	56
240 VDC RELAY HEATING/COOLING 4-PIPE FAN COIL UNIT WITH HIGH VOLTAGE 3-SPEED FAN, TRI-STATE FLOATING VALVES AND DEHUMIDIFICATION SEQUENCE FOR LOW VOLTAGE	58
APPENDIX A - PASSIVE INFRA-RED SENSOR SPECIFICATIONS	60
APPENDIX B - OPTIONAL NETWORK SET-UP	61
APPENDIX C - SCHEMATIC OF CONTROLLERS OCCUPANCY SEQUENCE OF OPERATION	61
APPENDIX D - SER8300 CONTROLLER AND SC3000 RELAY PACK	62
APPENDIX E - SED SERIES FOR WIRELESS DOOR AND WINDOW SWITCH	63
APPENDIX F - TERMINAL CORRESPONDENCE	64

SER8300 ROOM CONTROLLER AND SC3000 AND RELAY PACKS

This new cost-effective solution for upgrading line-voltage fan coil unit thermostats requires only two components, the SER8300 Room Controller and the SC3000 Relay Pack. This solution allows existing line voltage wiring between the fan coil unit and Room Controller to be re-used, thereby reducing overall costs and installation time.

The SC3000 Relay Pack features an onboard universal voltage power supply and line-voltage relays which directly drive fractional horsepower fan motors and valves. This eliminates the need to install and wire costly pilot relays and transformers. The Relay Pack is not required for the SE8300 Series models.

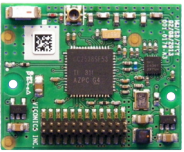
Commercial and Hospitality Interface (Local Override and Degrees C/F Selection)

	Part Number	Description	Humidity	PIR Sensor	Communication
	SER8300A0BXX	BACnet® fan coil terminal equipment controller	No	No	BACnet®
	SER8300A5BXX	BACnet® fan coil terminal equipment controller	No	Yes	BACnet
	SER8350A0BXX	BACnet® fan coil terminal equipment controller	Yes	No	BACnet
	SER8350A5BXX	BACnet® fan coil terminal equipment controller	Yes	Yes	BACnet
	SER8350A0BxxLTD	BACnet® fan coil terminal equipment controller	No	No	BACnet

Transformer Relay Packs for Fan Coil Units

	Part Number	Description
	SC3500E5045	Transformer relay pack five relay fan outputs
	SC3504E5045	Transformer relay pack five relay fan outputs, and four inputs
	SC3514E5045	Transformer relay pack five relay outputs, smart VDC OCC output, and four inputs
	SC3400E5045	Transformer relay pack four relay outputs and smart VDC output
	SC3404E5045	Transformer relay pack four relay outputs, smart VDC output, and four inputs
	SC3300E5045	Transformer relay pack three relay fan outputs

ZigBee Pro Module for SE(R)8300 Series

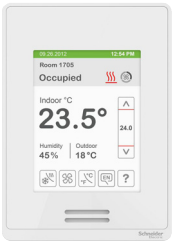
	Part Number	Description
	VCM8000V5045P	Optional ZigBee Pro module for SE8300 Series room controllers.

SE8300 ROOM CONTROLLERS


This new cost-effective solution for upgrading low-voltage fan coil unit thermostats requires only the SE8300 Terminal Equipment Controller.

The SE8300 Terminal Equipment Controller can also be used along with a SC1300 or SC2300 Relay Pack for mixed-voltage solutions, when control of both line-voltage and low-voltage end devices is required.


Commercial and Hospitality Interface (Local Override and Degrees C/F Selection)

	Part Number	Description	Humidity	PIR Sensor	Communication
	SE8300U0BXX	BACnet® fan coil terminal equipment controller	No	No	BACnet®
	SE8300U5BXX	BACnet® fan coil terminal equipment controller	No	Yes	BACnet®
	SE8350U0BXX	BACnet® fan coil terminal equipment controller	Yes	No	BACnet®
	SE8350U5BXX	BACnet® fan coil terminal equipment controller	Yes	Yes	BACnet®

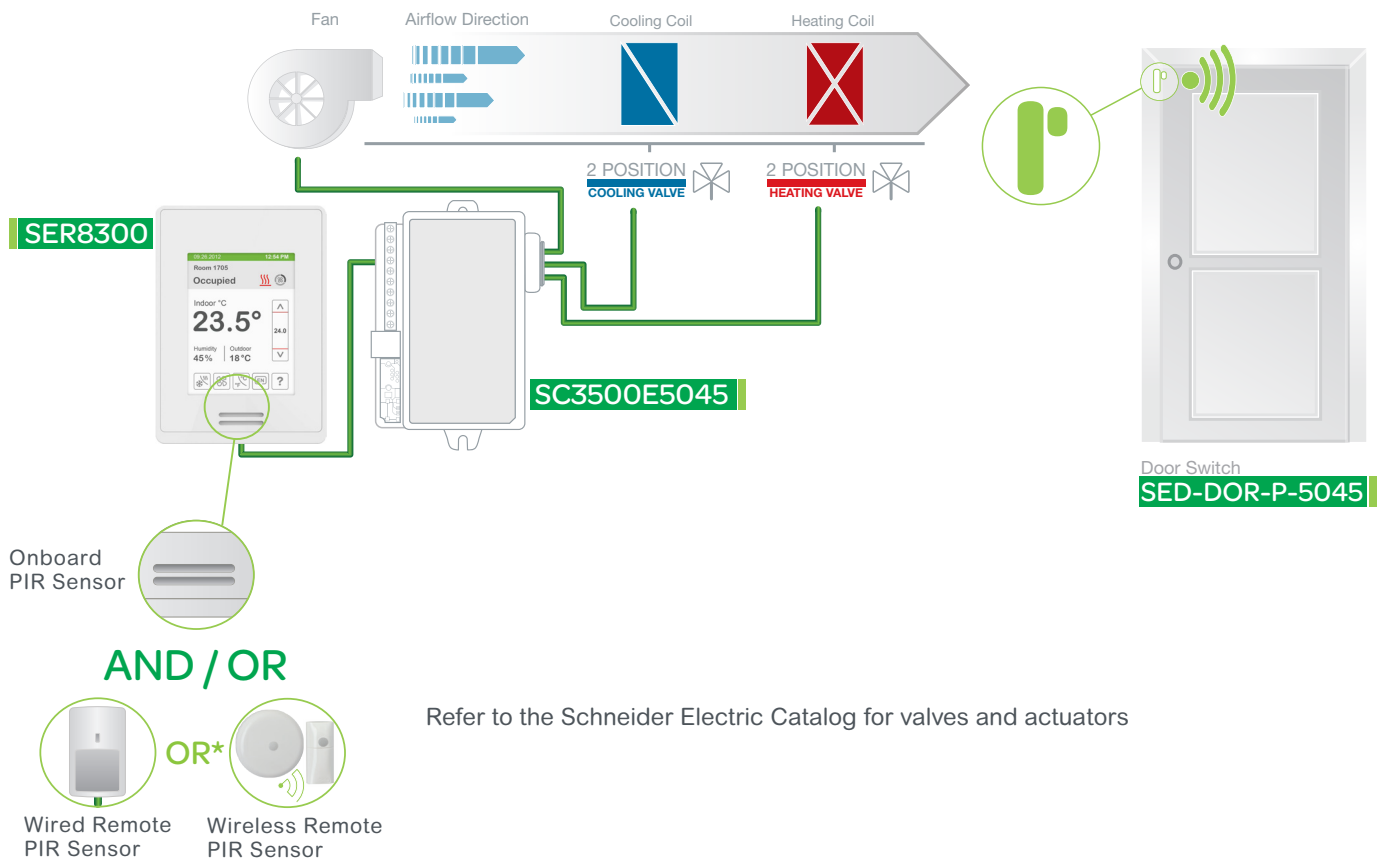
Mixed-voltage Relay Packs for SE8300 Series

	Part Number	Description
	SC1300E5045	3 on/off outputs, 110/130V 3 speed
	SC2300E5045	3 on/off outputs, 220/240V 3 speed

Wireless Accessories for SE(R)8300 Series

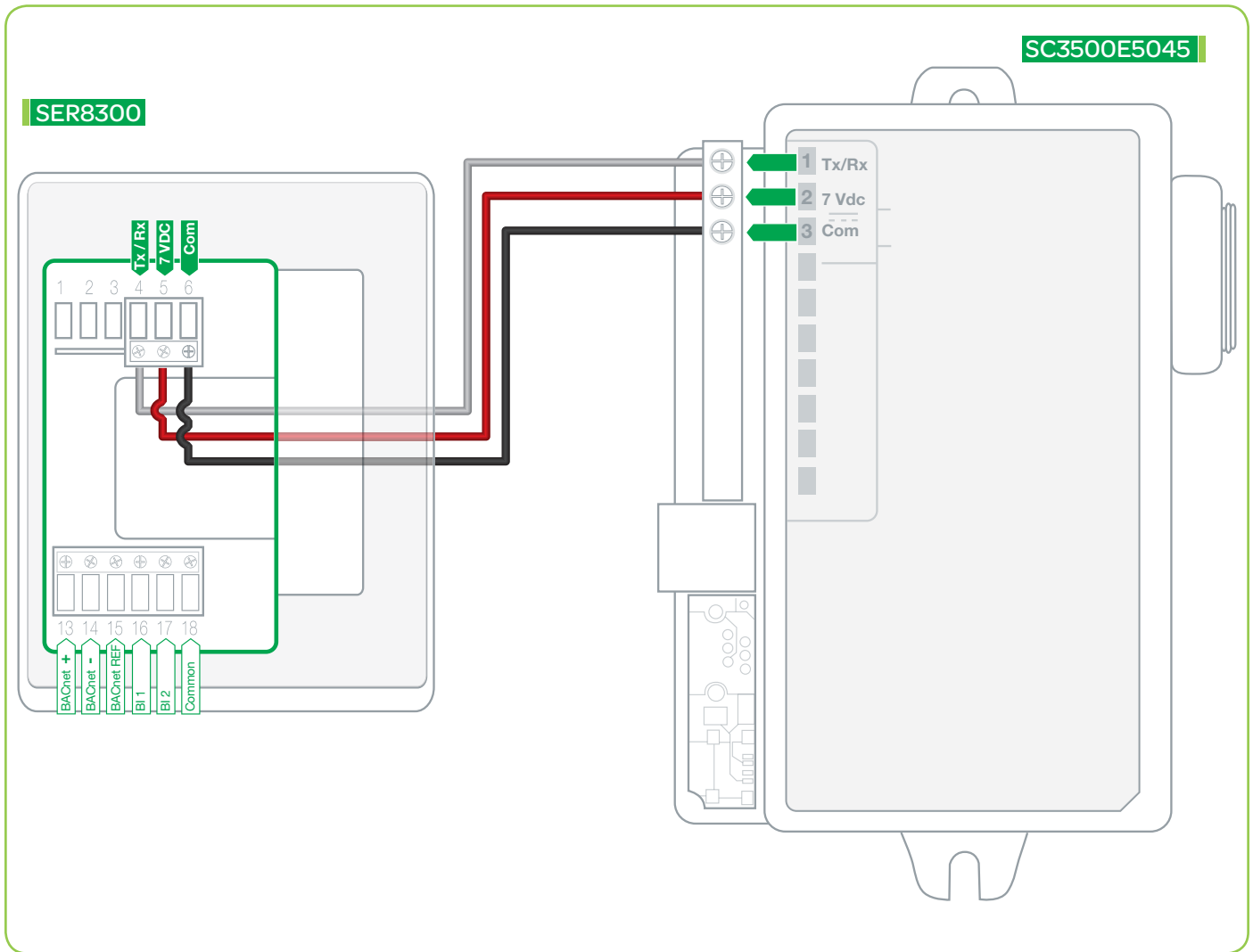
	Part Number	Description
	SED-DOR-P-5045	Wireless door switch
	SED-WIN-P-5045	Wireless window switch
	SED-CMS-P-5045	Wireless ceiling mounted motion sensor
	SED-WDS-P-5045	Wireless window and door switch
	SED-WMS-P-5045	Wireless wall mounted motion sensor

SER8300XXBXX WITH SC3500E5045 RELAY: HEATING/COOLING 4-PIPE FAN COIL UNIT WITH 3-SPEED FAN AND 2-POSITION VALVES WITH WIRELESS DOOR SWITCH



Configuration Parameter Name	Configuration Settings
Fan Menu	L-M-H-A
Fan cont. heat.	On
BI1	Motion NO or Motion NC (remote PIR sensor only)
BI2	Door Dry
Pulsed heating	Off
Pipe no.	4
Seq. operation	Ht - Cl

* Wired remote sensor cannot be used at the same time as wireless remote sensor(s).



Sequence of Operation and Wiring

Occupied Mode

Setpoints revert to those defined by occupied cooling and heating.

Stand-by Mode (only available when PIR motion detector sensor is used)

Setpoints revert to those defined by stand-by cooling and heating.

Unoccupied Mode

Setpoints revert to those defined by unoccupied heating and cooling.

Occupied Override Mode

System reverts to occupied mode for duration determined by "ToccTime" parameter.

On Call for Cool

Cooling valve opens to maintain room temperature. Heating valve closed.

On Call for Heat

Heating valve opens to maintain room temperature. Cooling valve closed.

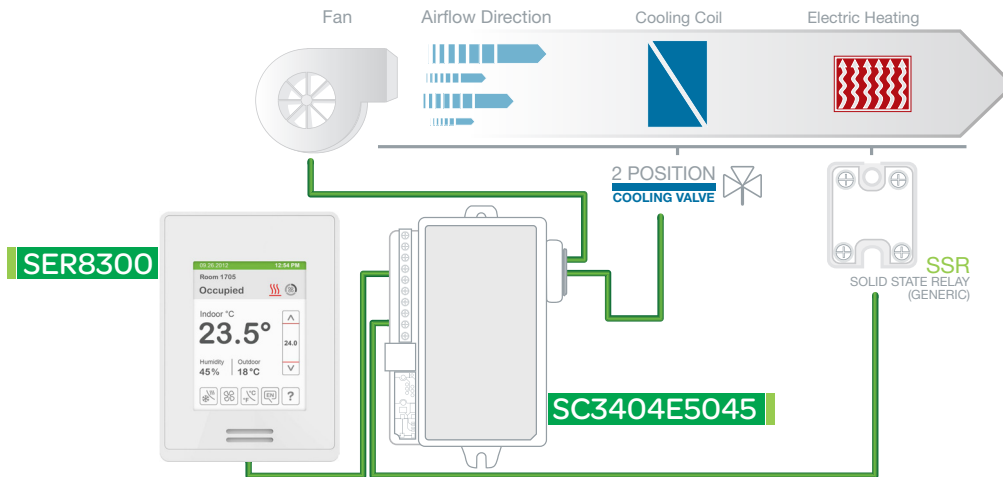
Wireless Door Switch

Wireless door switch automatically toggles occupancy.

Options

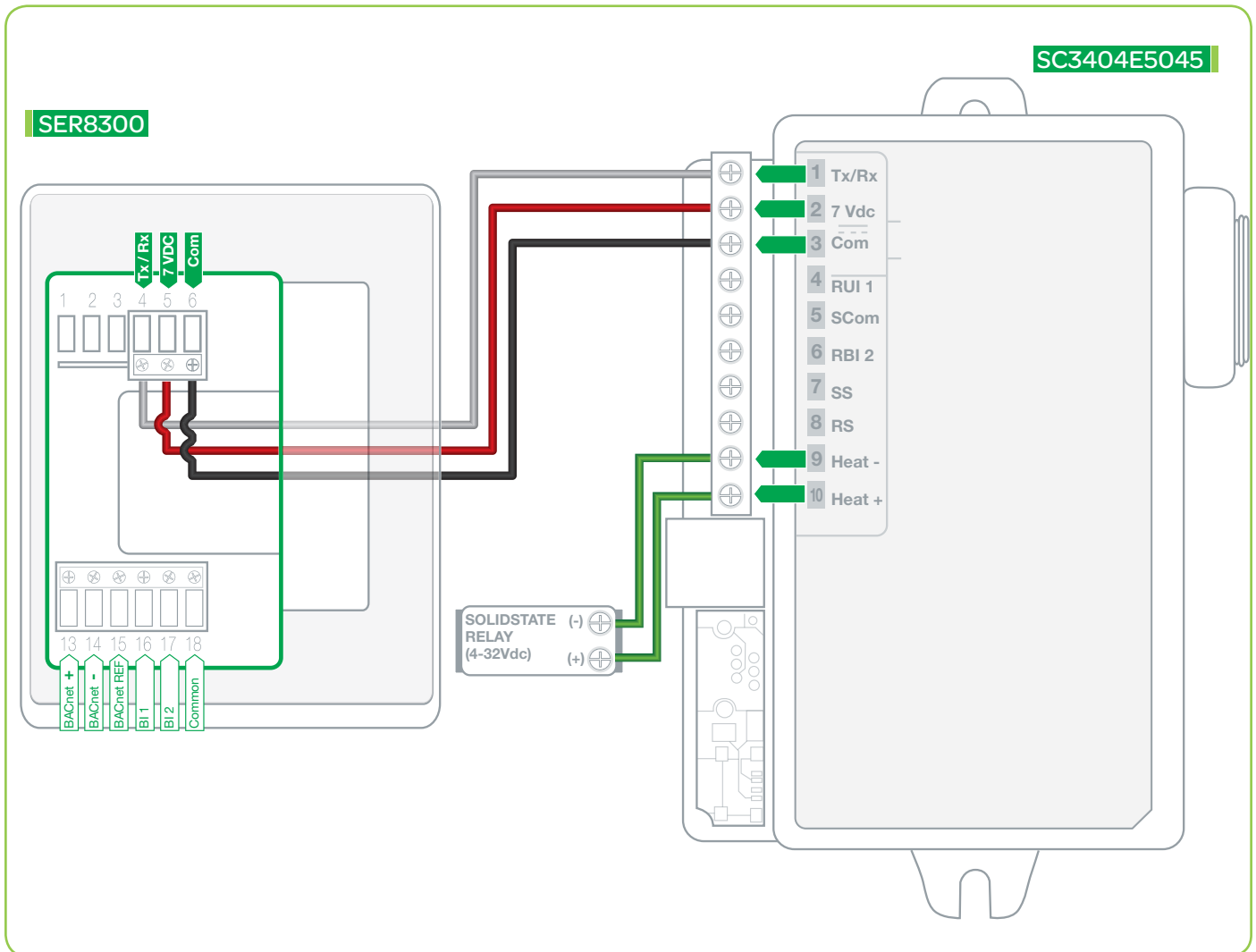
- Wireless adapter modules for BACnet models are available. (see Appendix B for network wiring).
- Can be configured for 2-pipe systems (without changeover).
- Binary inputs can be configured to control occupancy via door or window contact, remote motion sensor, or remote night setback.

SER8350XXBXX WITH SC3404E5045 RELAY: COOLING AND ELECTRIC HEAT 2-PIPE FAN COIL UNIT WITH 3-SPEED FAN, DEHUMIDIFICATION AND 2-POSITION VALVES



Refer to Schneider Electric Catalog for valves and actuators.

Configuration parameter name	Configuration settings
Pulsed heating	On
Pipe no.	2
Seq. operation	Ht-CI
Fan menu	L-M-H-A
Fan cont. heat	On



Sequence of Operation and Wiring

Occupied Mode

Setpoints revert to those defined by occupied cooling and heating.

Stand-by Mode (only available when PIR motion detector sensor is used)

Setpoints revert to those defined by stand-by cooling and heating.

Unoccupied Mode

Setpoints revert to those defined by unoccupied heating and cooling.

Occupied Override Mode

System reverts to occupied mode for duration determined by "ToccTime" parameter.

On Call for Cool

Cooling valve opens to maintain room temperature.

On Call for Heat

Electric heat operates to maintain room temperature. Cooling valve closes and dehumidification is disabled.

On a Demand for Dehumidification

Dehumidification achieved via cooling coil using reheat if necessary.

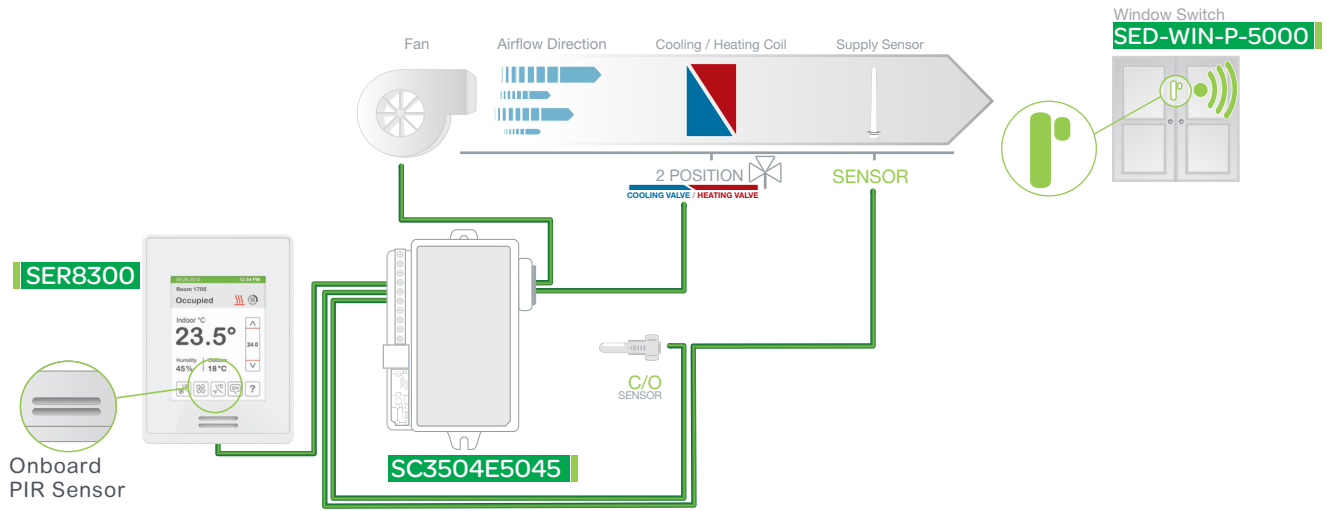
Dehumidification only allowed in COOL mode or if cooling is enabled in AUTO mode.

Dehumidification disabled if room temperature falls below low ambient lockout temperature, which is cooling setpoint minus configuration defined deadband value.

Options

- Wireless adapter modules for BACnet models are available. (see Appendix B for network wiring).
- Remote wall mount or return duct sensor ready.
- Can be configured for 2-pipe systems with changeover.
- Binary inputs can be configured to control occupancy via door or window contact, remote motion sensor, remote night setback, or provide alarms for service or filter monitoring.
- Universal input can be configured for changeover sensor.

SER8300XXBXX WITH SC3504E5045 RELAY: HEATING/COOLING WITH CHANGEOVER SENSOR
 2-PIPE FAN COIL UNIT WITH 3-SPEED FAN AND WIRELESS WINDOW SWITCH

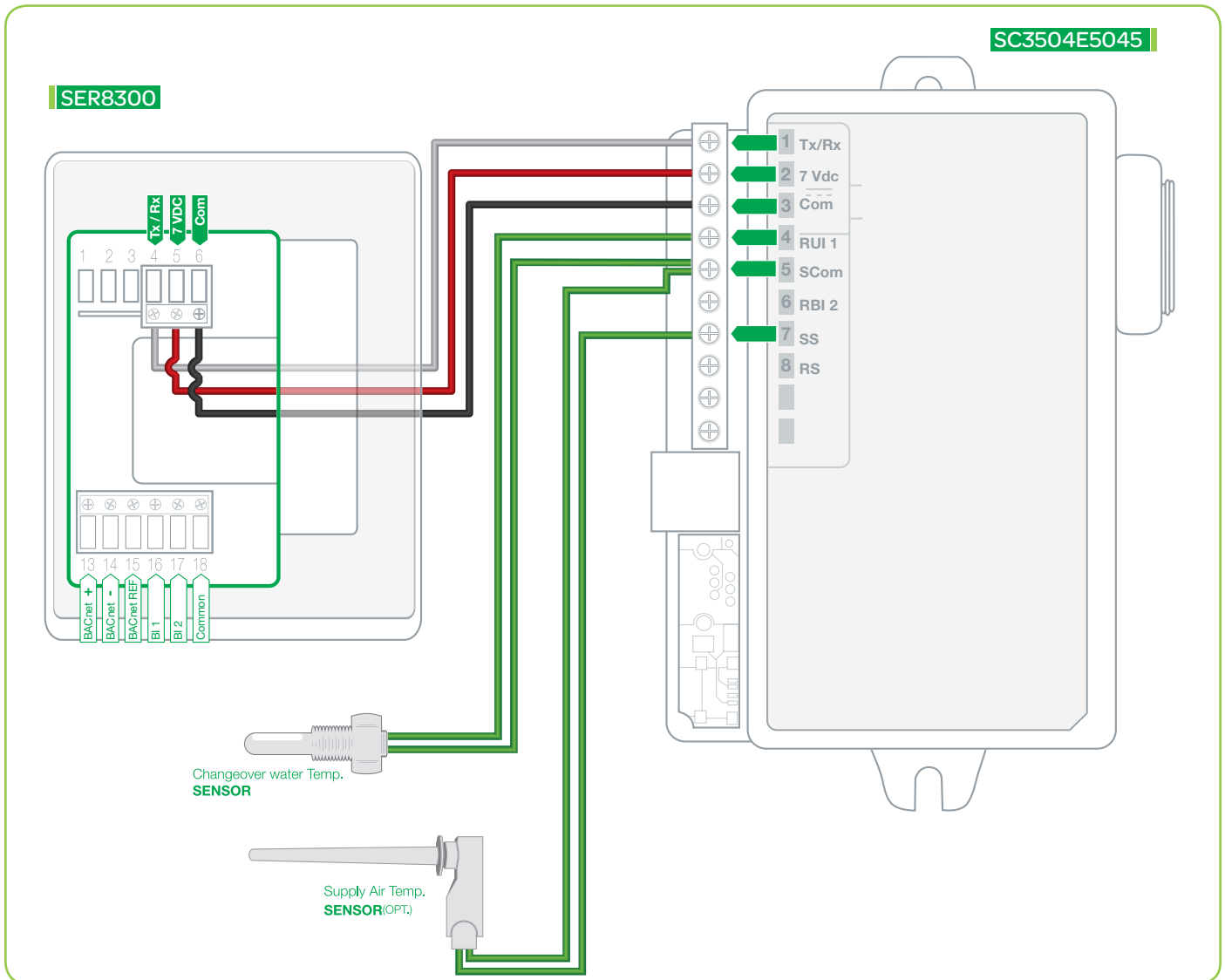


Changeover Sensor: 10K Ohm type 2

Supply Sensor: 10K Ohm type 2

Refer to Schneider Electric Catalog for valves and actuators.

Configuration Parameter Name	Configuration Settings
Fan Menu	L-M-H-A
Fan cont. heat	On
B11	Window
RUI1	COS
Pipe No	2
Seq. operation	Cool



Sequence of Operation and Wiring

Occupied Mode

Setpoints revert to those defined by occupied cooling and heating.

Stand-by Mode (only available when PIR motion detector sensor is used)

Setpoints revert to those defined by stand-by cooling and heating.

Unoccupied Mode

Setpoints revert to those defined by unoccupied heating and cooling.

Occupied Override Mode

System reverts to occupied mode for duration determined by "TocTime" parameter.

On Call for Cool

If supply water temperature is less than 24°C (75F), valve opens to maintain room temperature, else valve closes.

On Call for Heat

If supply water temperature is greater than 25°C (77F), valve opens to maintain room temperature, else the valve closes.

Supply Air Sensor

Only used for monitoring. Shows automatically if sensor is

connected.

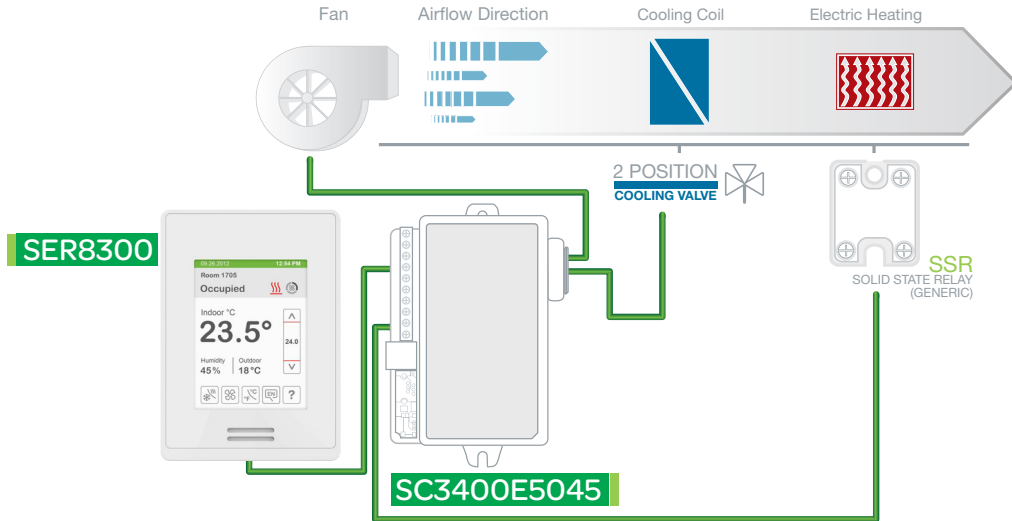
Wireless Window Switch

Wireless window switch automatically locks out heating/cooling when window is opened.

Options

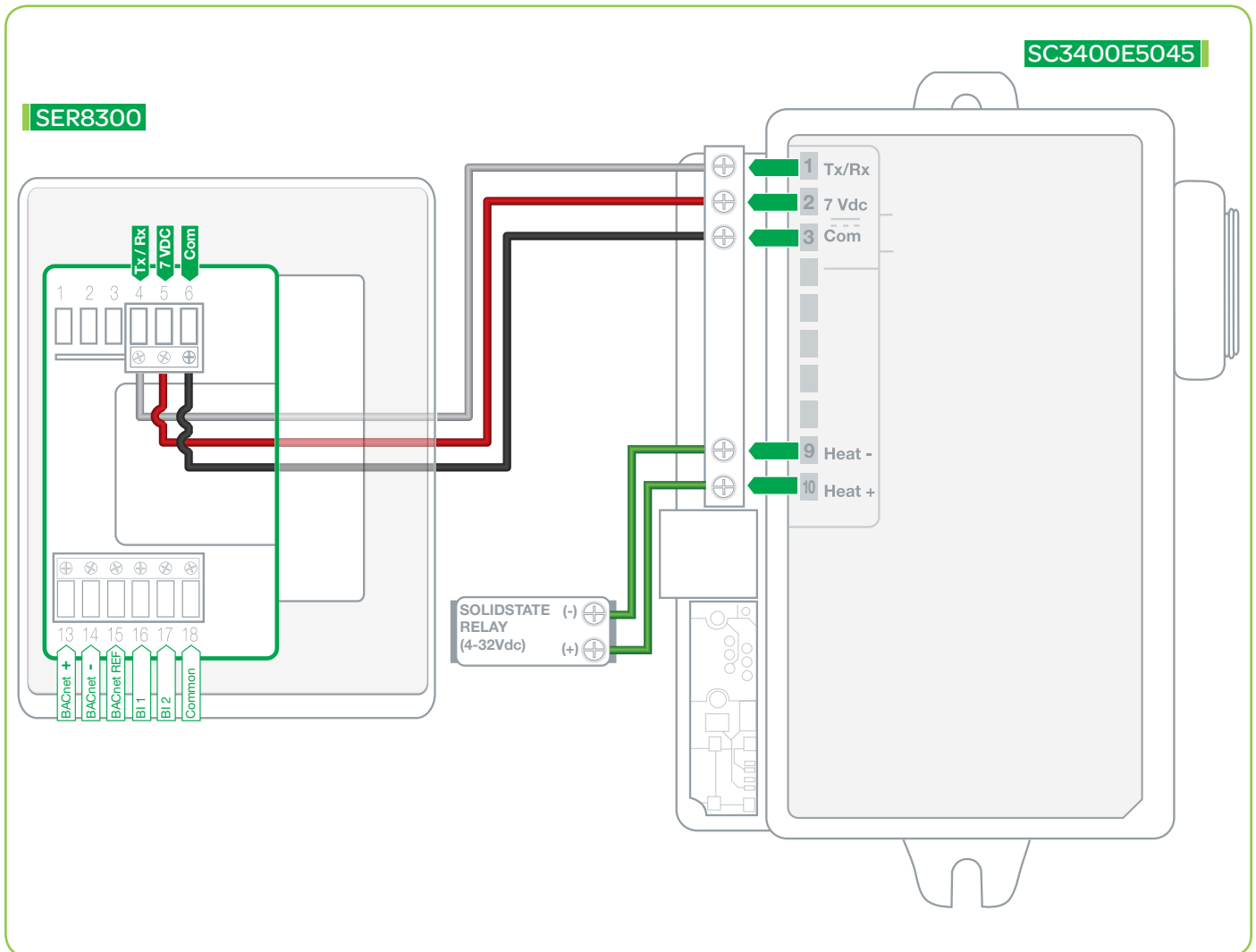
- Wireless adapter modules for BACnet models are available. (see Appendix B for network wiring).
- Remote wall mount or return duct sensor ready.
- Binary inputs can be configured to control occupancy via door or window contact, remote motion sensor, remote night setback, or provide alarms for service or filter monitoring.

SER8350XXBXX WITH SC3400E5045 RELAY: COOLING AND ELECTRIC HEAT 2-PIPE FAN COIL UNIT WITH 3-SPEED FAN, DEHUMIDIFICATION AND 2-POSITION VALVES



Refer to Schneider Electric Catalog for valves and actuators.

Configuration parameter name	Configuration settings
Fan menu	L-M-H-A
Fan cont. heat.	On
Pulsed Heating	On
Pipe No	2
Seq. operation	Ht-Cl



Sequence of Operation and Wiring

Occupied Mode

Setpoints revert to those defined by occupied cooling and heating.

Stand-by Mode (only available when PIR motion detector sensor is used)

Setpoints revert to those defined by stand-by cooling and heating.

Unoccupied Mode

Setpoints revert to those defined by unoccupied heating and cooling.

Occupied Override Mode

System reverts to occupied mode for duration determined by "ToccTime" parameter.

On Call for Cool

Cooling valve opens to maintain room temperature.

On Call for Heat

Electric heat operates to maintain room temperature. Cooling valve closed and dehumidification is disabled.

On a Demand for Dehumidification

Dehumidification achieved via cooling coil using reheat if necessary.

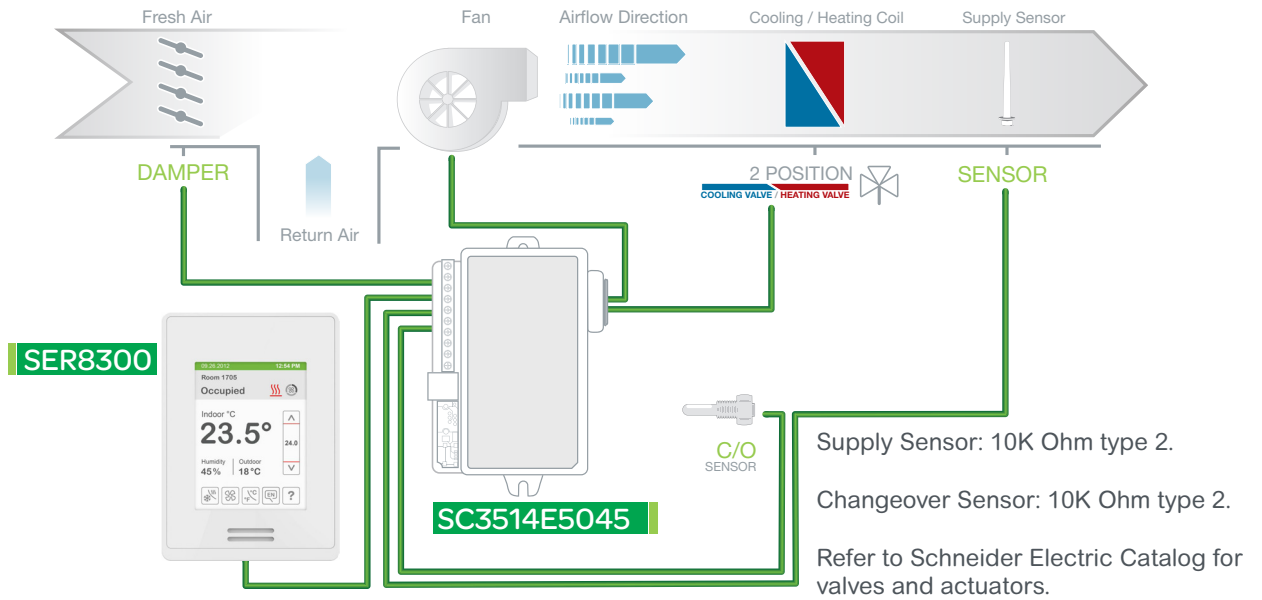
Dehumidification only allowed in COOL mode or if cooling is enabled in AUTO mode.

Dehumidification disabled if room temperature falls below low ambient lockout temperature, which is cooling setpoint minus configuration defined deadband value.

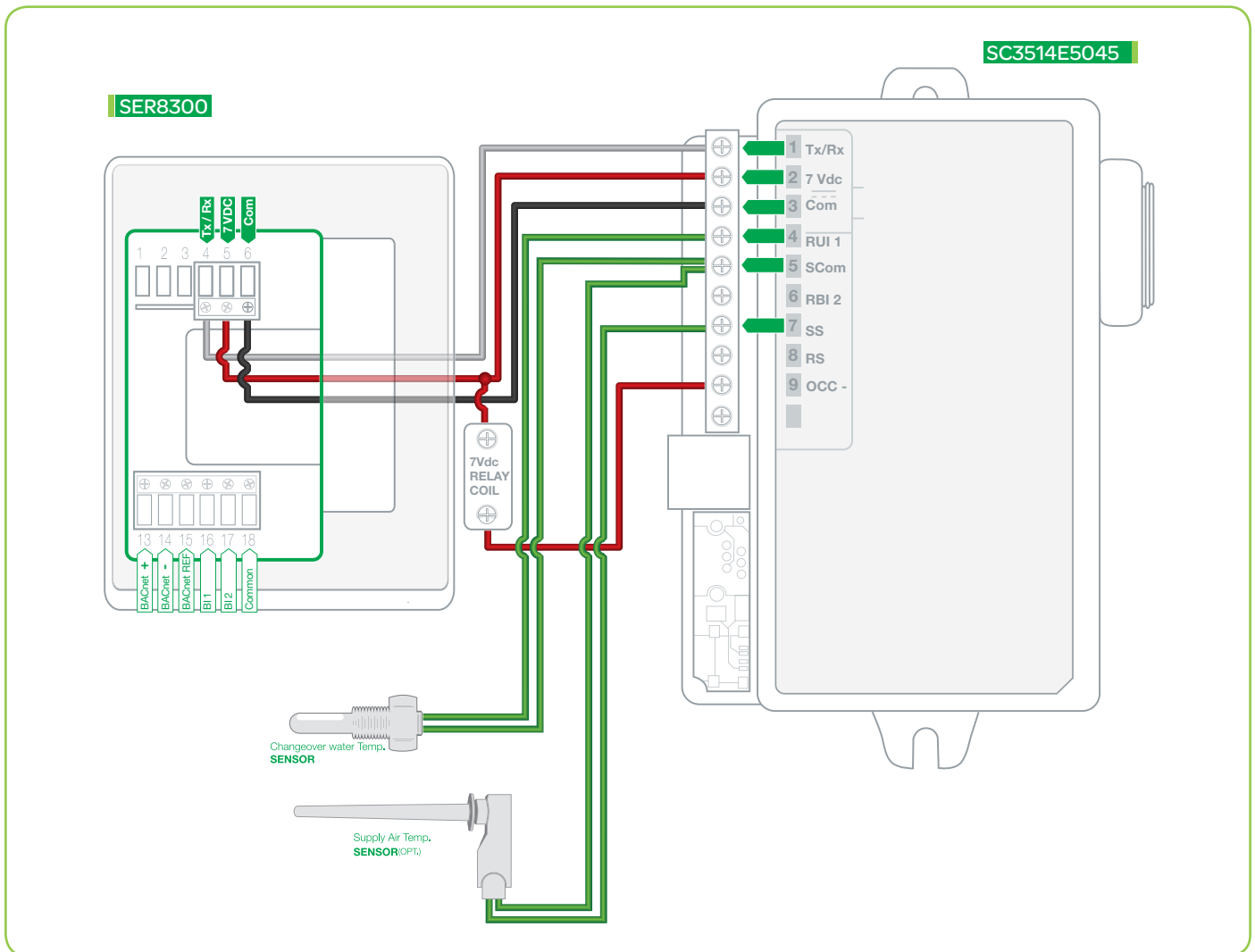
Options

- Wireless adapter modules for BACnet models are available. (see Appendix B for network wiring).
- Binary inputs can be configured to control occupancy via door or window contact, remote motion sensor, remote night setback, or provide alarms for service or filter monitoring.

SER8300XXBXX WITH SC3514E5045 RELAY: HEATING/COOLING 2-PIPE FAN COIL UNIT WITH 3-SPEED FAN, FRESH AIR DAMPER AND 2-POSITION VALVES



Configuration Parameter Name	Configuration Settings
Fan menu	L-M-H-A
Fan cont. heat	On
RUI1	COS
Pulsed Heating	Occ Out
Pipe no.	2
Seq. operation	Cool



Sequence of Operation and Wiring

Occupied Mode

Setpoints revert to those defined by occupied cooling and heating. The occupancy output opens fresh air damper to minimum position.

Stand-by Mode (only available when PIR motion detector sensor is used)

Setpoints revert to those defined by stand-by cooling and heating.

Unoccupied Mode

Setpoints revert to those defined by unoccupied heating and cooling. The fresh air damper closes.

Occupied Override Mode

System reverts to occupied mode for duration determined by "ToccTime" parameter.

On Call for Cool

If supply water temperature is less than 24°C (75F), cooling valve opens to maintain room temperature, else the valve closes.

On Call for Heat

If supply water temperature is greater than 25°C (77F), heating valve opens to maintain room temperature, else the valve closes.

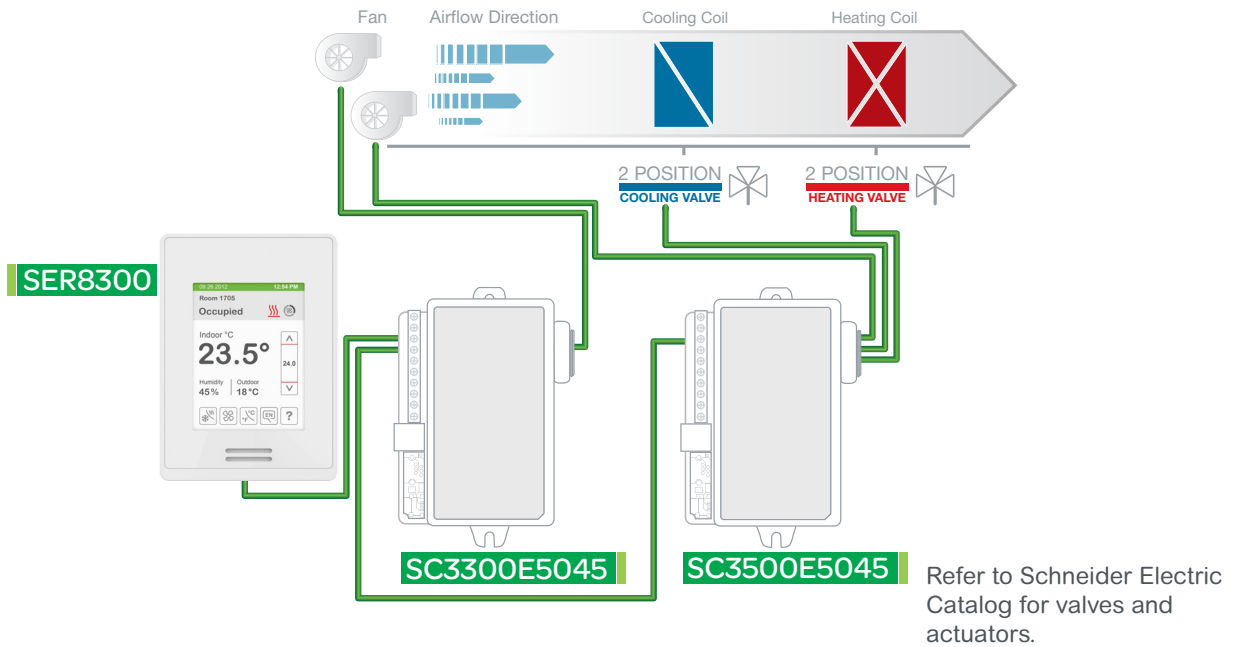
Supply Air Sensor

Only used for monitoring. Shows automatically if sensor is connected.

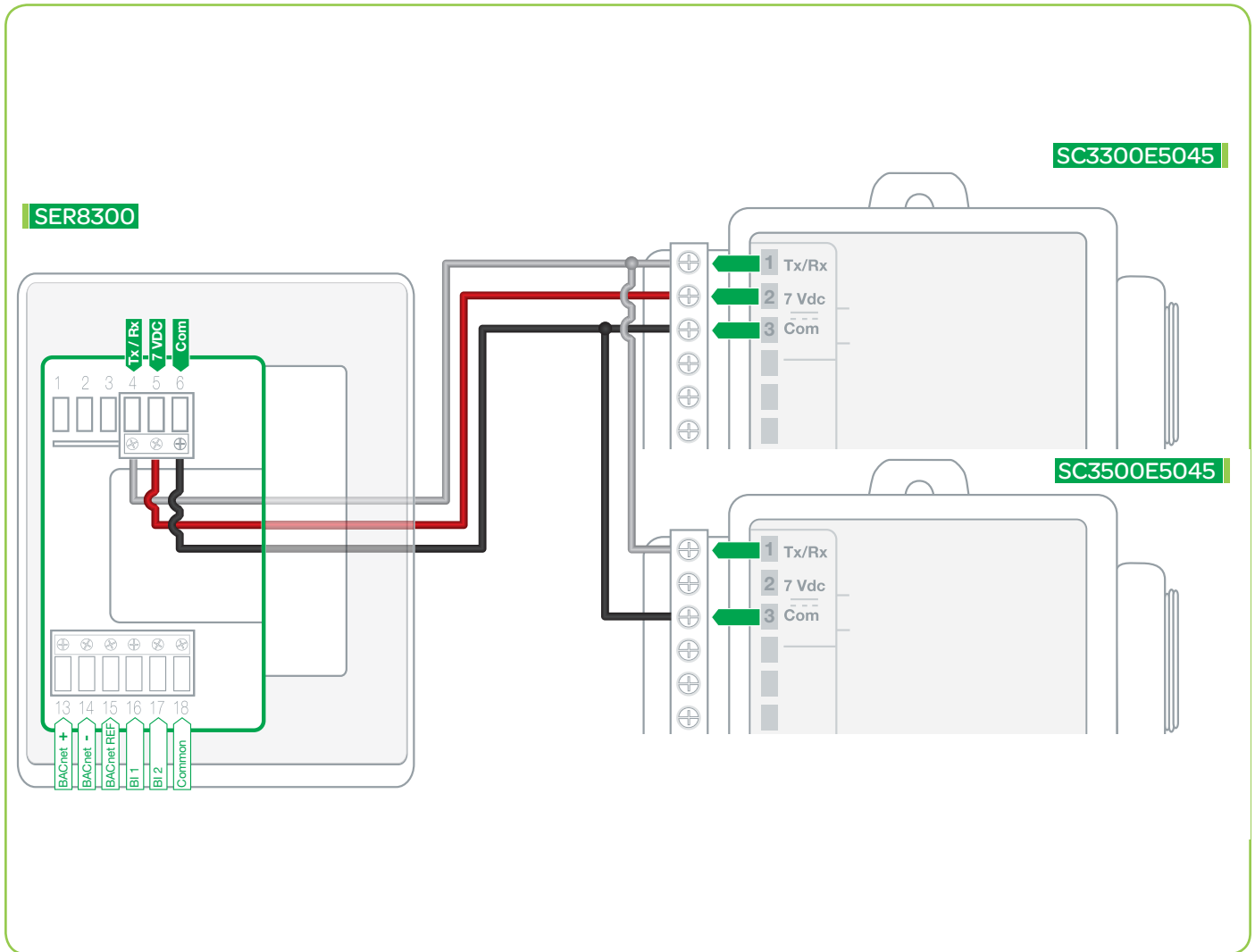
Options

- Wireless adapter modules for BACnet models are available. (see Appendix B for network wiring).
- Remote wall mount or return duct sensor ready.
- Binary inputs can be configured to control occupancy via door or window contact, remote motion sensor, remote night setback, or provide alarms for service or filter monitoring.

SER8300XXBXX WITH SC3500E5045 AND SC3300E5045 RELAYS: HEATING/COOLING 4-PIPE FAN COIL UNIT WITH 3-SPEED FAN AND 2-POSITION VALVES WITH SLAVE RELAY PACK



Configuration Parameter Name	Configuration Settings
Fan menu	L-M-H-A
Fan cont. heat	On
Pipe No	4
Seq. operation	Ht-CI



Sequence of Operation and Wiring

Occupied Mode

Setpoints revert to those defined by occupied cooling and heating.

Stand-by Mode (only available when PIR motion detector sensor is used)

Setpoints revert to those defined by stand-by cooling and heating.

Unoccupied Mode

Setpoints revert to those defined by unoccupied heating and cooling.

Occupied Override Mode

System reverts to occupied mode for duration determined by "TocTime" parameter.

On Call for Cool

Cooling valve opens to maintain room temperature. Heating valve closes.

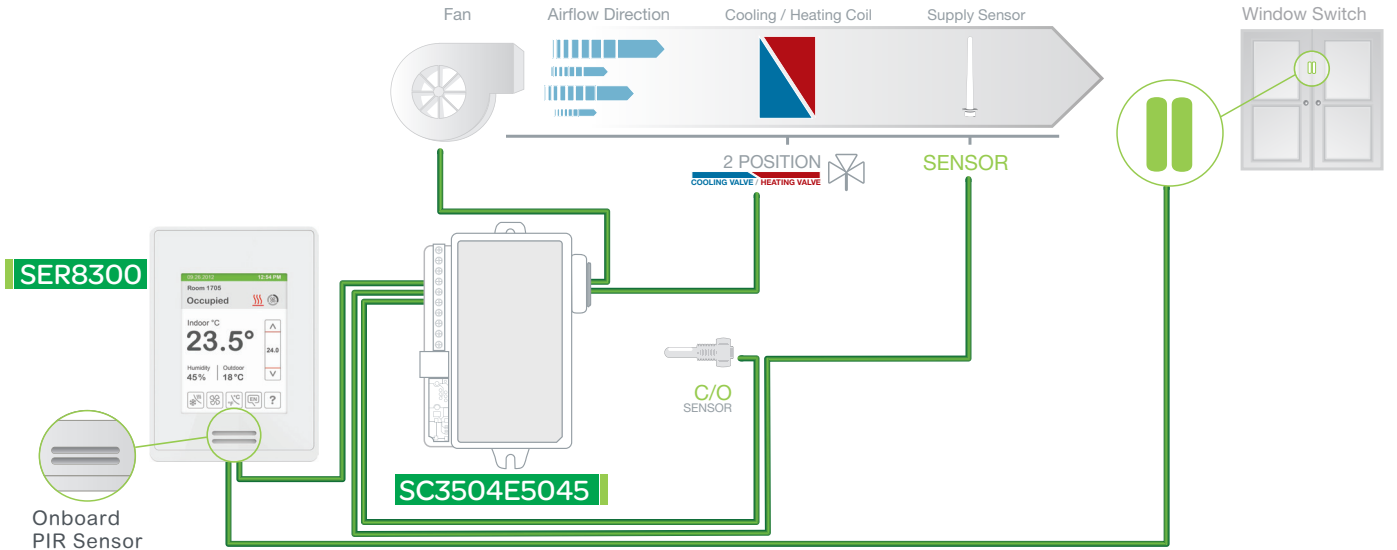
On Call for Heat

Heating valve opens to maintain room temperature. Cooling valve closes.

Options

- Wireless adapter modules for BACnet models are available. (see Appendix B for network wiring).
- Can be configured for 2-pipe systems without changeover.
- Binary inputs can be configured to control occupancy via door or window contact, remote motion sensor, remote night setback, or provide alarms for service or filter monitoring.

SER83X0XXBXX WITH SC3504E5045 RELAY: COOLING AND ELECTRIC HEAT
 2-PIPE FAN COIL UNIT WITH 3-SPEED FAN AND 2-POSITION VALVES WITH WIRED WINDOW SWITCH

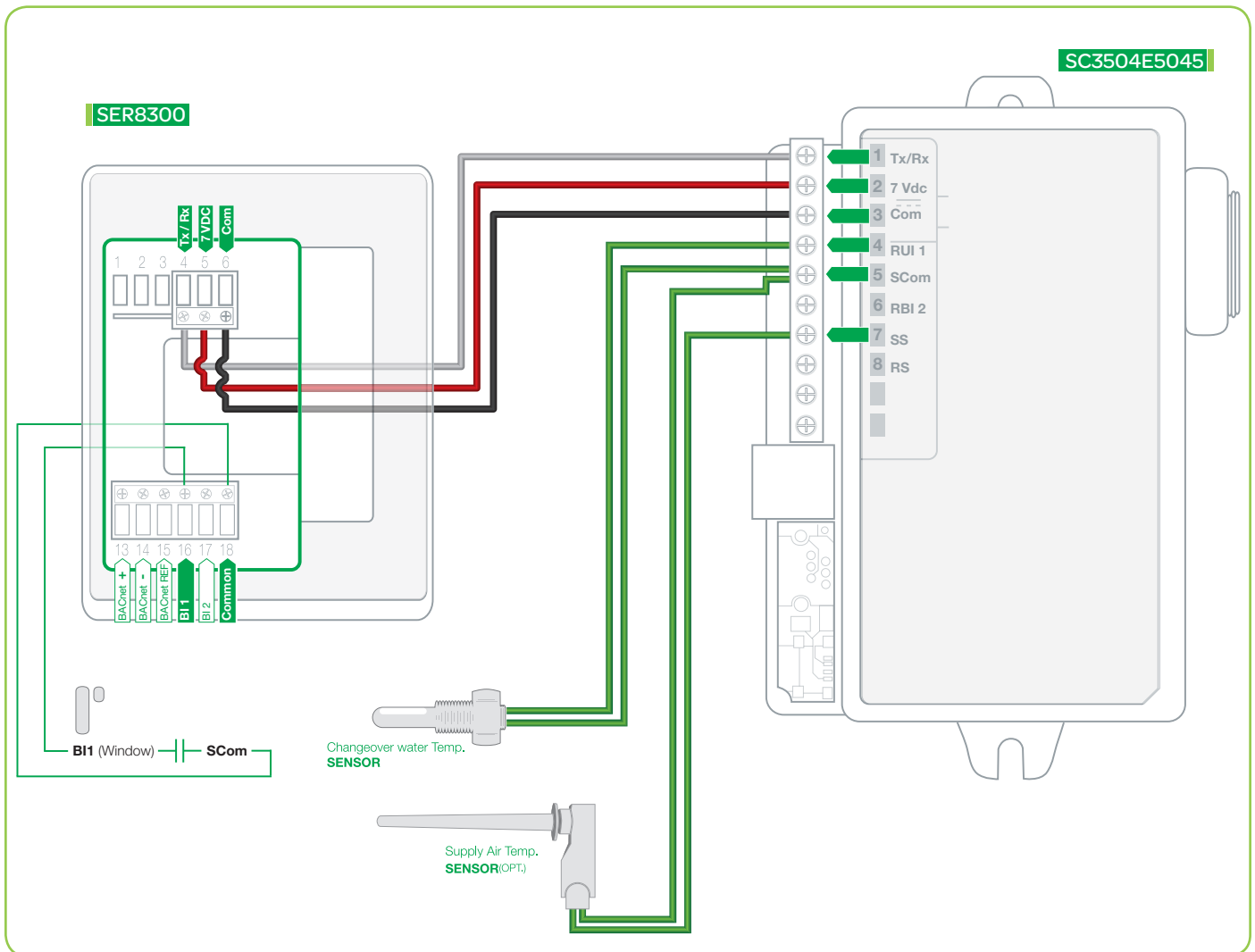


Changeover Sensor: 10K Ohm type 2

Supply Sensor: 10K Ohm type 2

Refer to Schneider Electric Catalog for valves and actuators.

Configuration Parameter Name	Configuration Settings
Fan menu	L-M-H-A
Fan cont. heat	On
B11	Window
RU11	COS
Pipe no.	2
Seq. operation	Cool



Sequence of Operation and Wiring

Occupied Mode

Setpoints revert to those defined by occupied cooling and heating.

Stand-by Mode (only available when PIR motion detector sensor is used)

Setpoints revert to those defined by stand-by cooling and heating.

Unoccupied Mode

Setpoints revert to those defined by unoccupied heating and cooling.

Occupied Override Mode

System reverts to occupied mode for duration determined by "ToccTime" parameter.

On Call for Cool

If supply water temperature is less than 24°C (75F), cooling valve opens to maintain room temperature, else the valve closes.

On Call for Heat

If supply water temperature is greater than 25°C (77F), heating valve opens to maintain room temperature, else the valve closes.

Supply Air Sensor

Only used for monitoring. Shows automatically if sensor is connected.

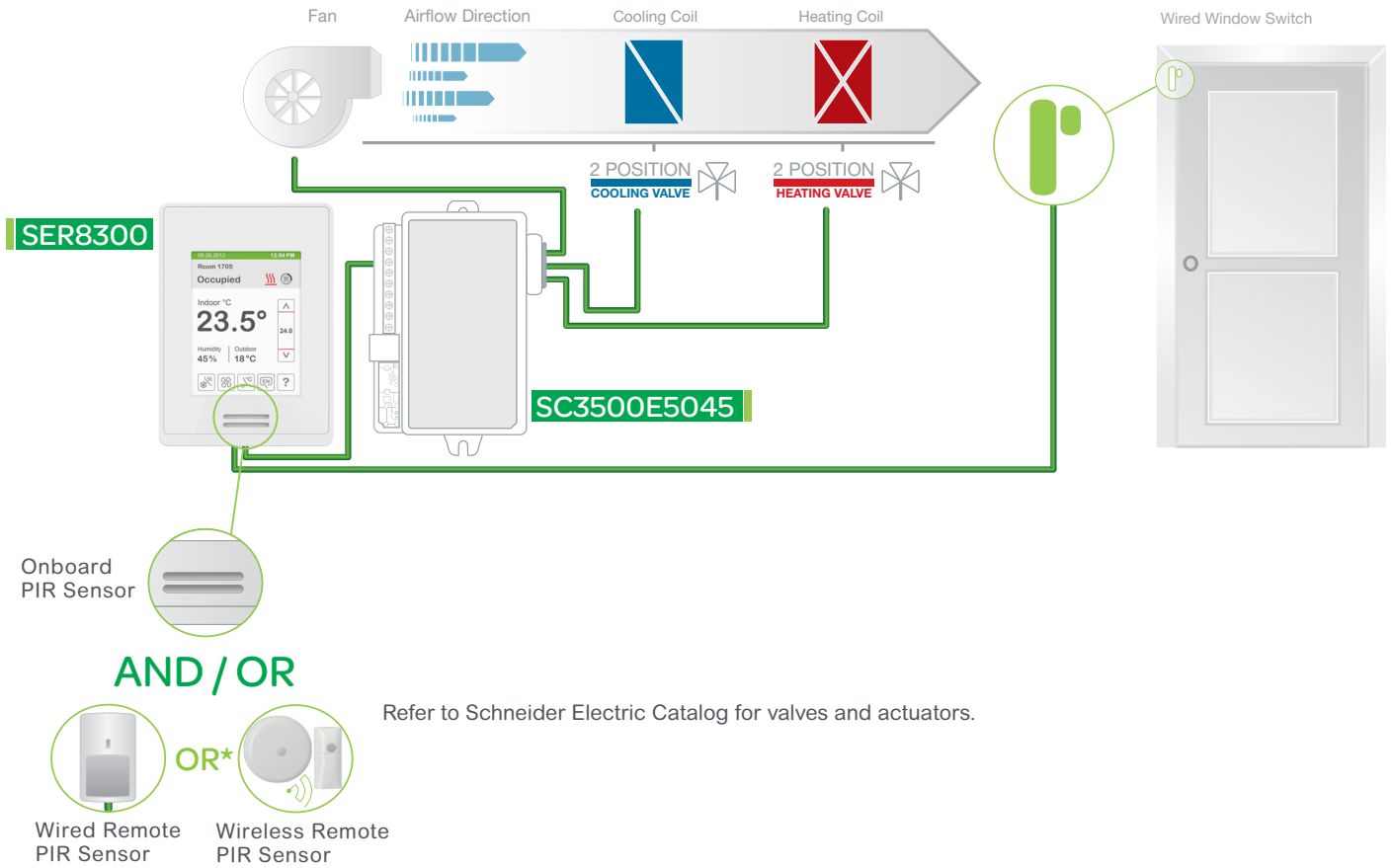
Wired Window Switch

The window switch automatically locks out heating/cooling when window opens.

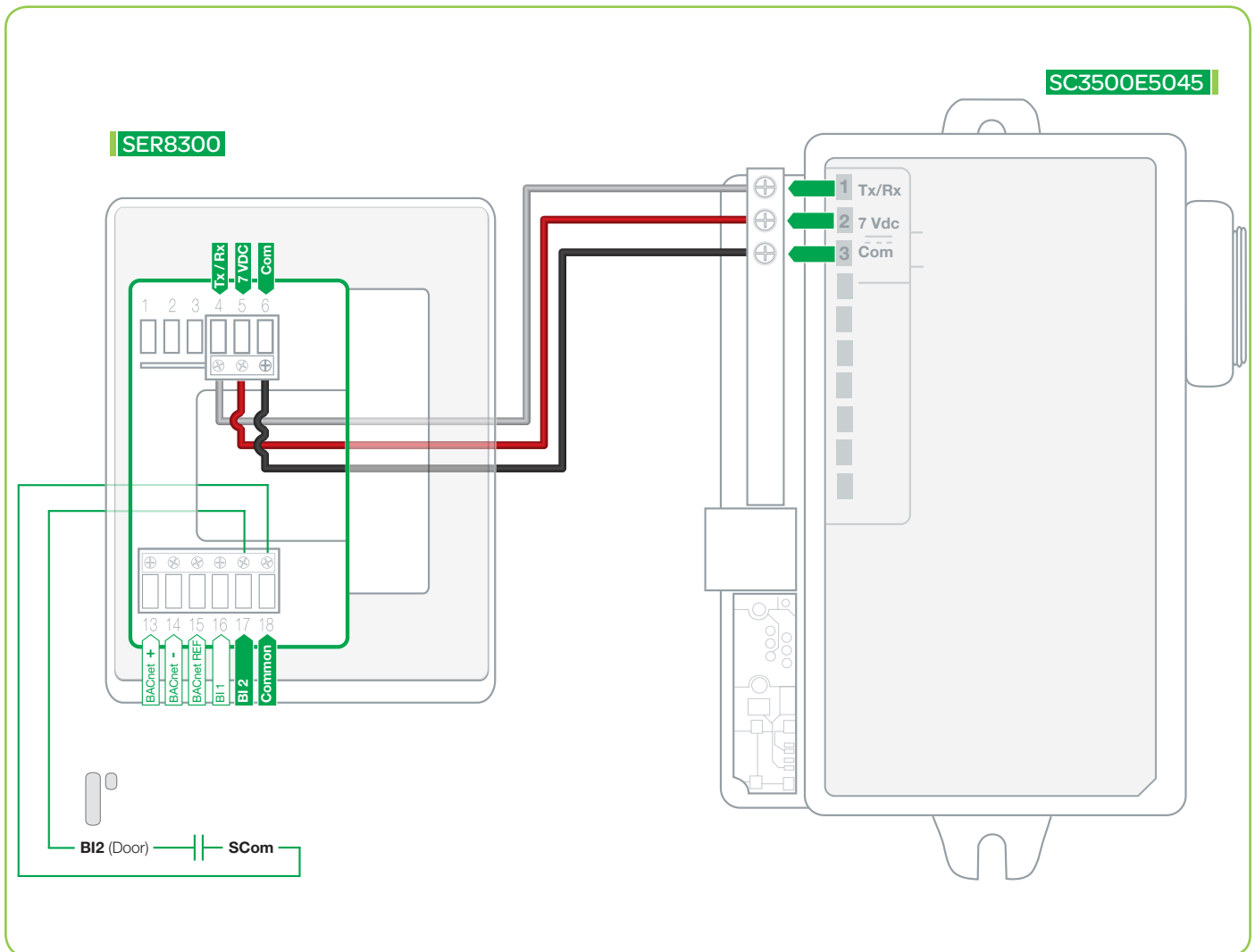
Options

- Wireless adapter modules for BACnet models are available. (see Appendix B for network wiring).
- Models available with factory installed PIR sensor.
- Remote wall mount or duct sensor ready.
- Can be configured for 2-pipe systems with changeover.
- Binary inputs can be configured to control occupancy via door or window contact, remote night setback, or provide alarms for service or filter monitoring.
- Universal input can be configured for changeover sensor.

SER8300XXBXX WITH SC3500E5045 RELAY: HEATING/COOLING 4-PIPE FAN COIL UNIT WITH 3-SPEED FAN AND 2-POSITION VALVES WITH WIRED DOOR SWITCH



Configuration Parameter Name	Configuration Settings
Fan menu	L-M-H-A
Fan cont. heat	On
B11	Motion NO or Motion NC (remote PIR sensor only)
B12	Door Dry
Pipe No	4
Seq. Operat	Ht-CI



Sequence of Operation and Wiring

Occupied Mode

Setpoints revert to those defined by occupied cooling and heating.

Stand-by Mode (only available when PIR motion detector sensor is used)

Setpoints revert to those defined by stand-by cooling and heating.

Unoccupied Mode

Setpoints revert to those defined by unoccupied heating and cooling.

Occupied Override Mode

System reverts to occupied mode for duration determined by "ToccTime" parameter.

On Call for Cool

Cooling valve opens to maintain room temperature. Heating valve closes.

On Call for Heat

Heating valve opens to maintain room temperature. Cooling valve closes.

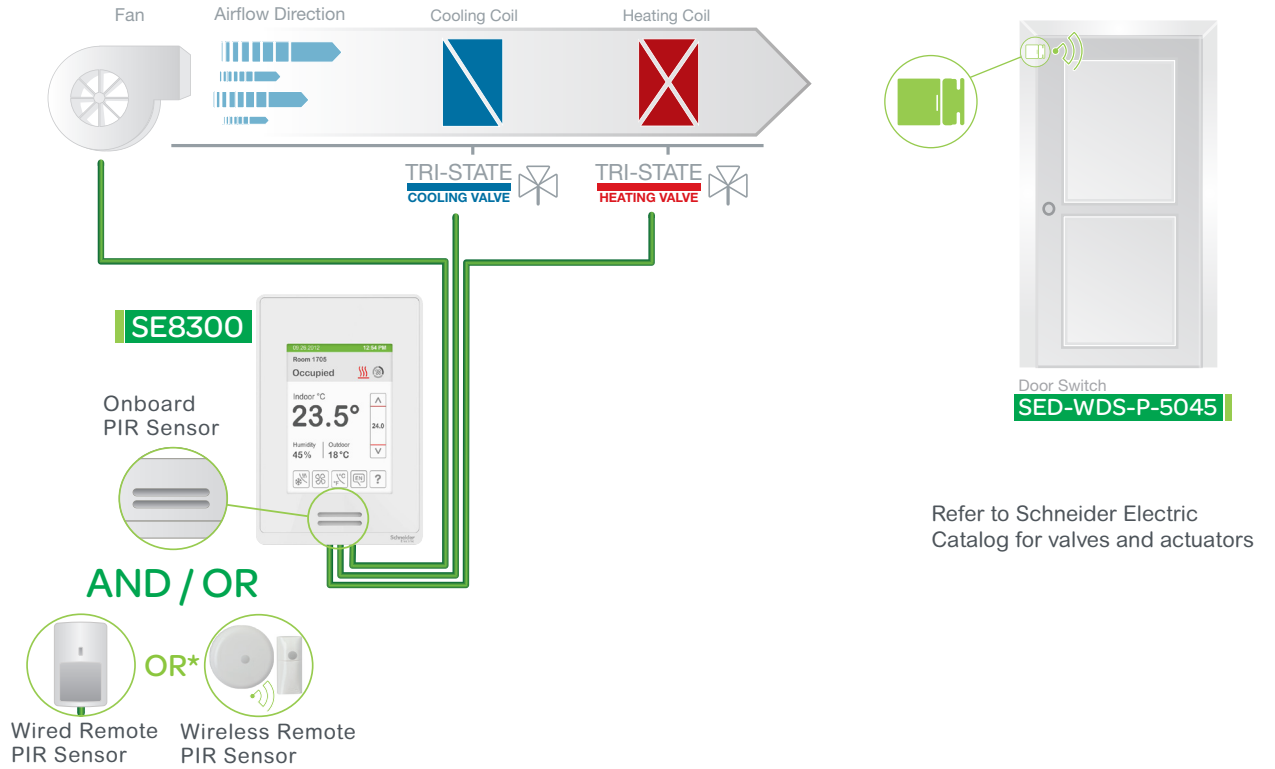
Door Switch

Door switch automatically toggles occupancy.

Options

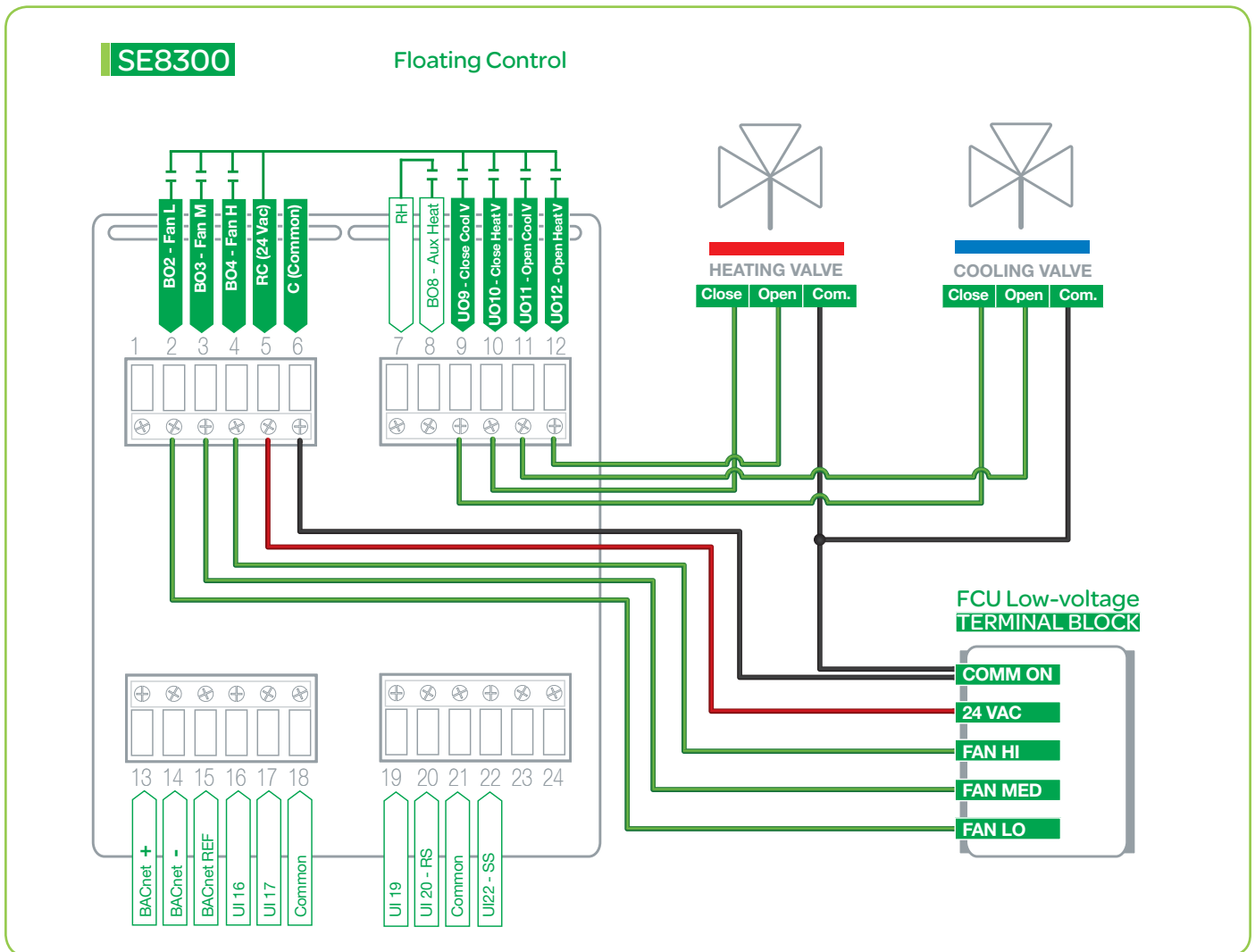
- Wireless adapter modules for BACnet models are available. (see Appendix B for network wiring).
- Models available with factory installed PIR sensor.
- Can be configured for 2-pipe systems without changeover.
- Binary inputs can be configured to control occupancy via door or window contact, remote motion sensor, remote night setback, or provide alarms for service or filter monitoring.

SE8350UXBXX HEATING/COOLING 4-PIPE FAN COIL UNIT WITH 3-SPEED FAN, TRI-STATE FLOATING VALVES AND DEHUMIDIFICATION SEQUENCE FOR LOW VOLTAGE WITH WIRELESS DOOR SWITCH



Configuration Parameter Name	Configuration Settings
Fan menu	L-M-H-A
Control Type	Floating
UI16	Motion NO or Motion NC (remote PIR sensor only)
UI17	Door Dry
Pipe no.	4
Seq. operation	Cool / Heat

* Wired remote sensor cannot be used at the same time as wireless remote sensor(s).



Sequence of Operation and Wiring

Occupied Mode

Setpoints revert to those defined by occupied cooling and heating.

Stand-by Mode (only available when PIR motion detector sensor is used)

Setpoints revert to those defined by stand-by cooling and heating.

Unoccupied Mode

Setpoints revert to those defined by unoccupied heating and cooling.

Occupied Override Mode

System reverts to occupied mode for duration determined by "TocTime" parameter.

On Call for Cool

Cooling valve opens to maintain room temperature. Heating valve closes.

On Call for Heat

Heating valve opens to maintain room temperature. Cooling valve closes.

On Demand for Dehumidification

Dehumidification is achieved via cooling coil using heating coil for reheat if necessary.

Dehumidification is only allowed in COOL mode, or if cooling is enabled in AUTO mode.

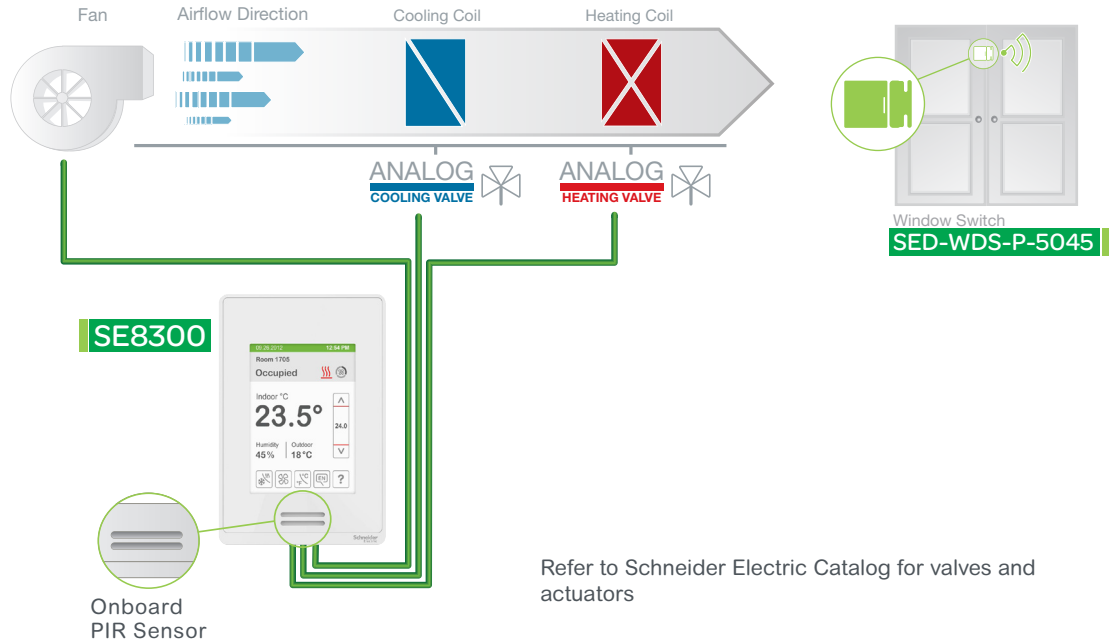
Dehumidification is disabled if room temperature falls below low ambient lockout temperature, which is the cooling setpoint minus the configuration defined deadband value.

Reheat disabled if cooling demand reaches 100%.

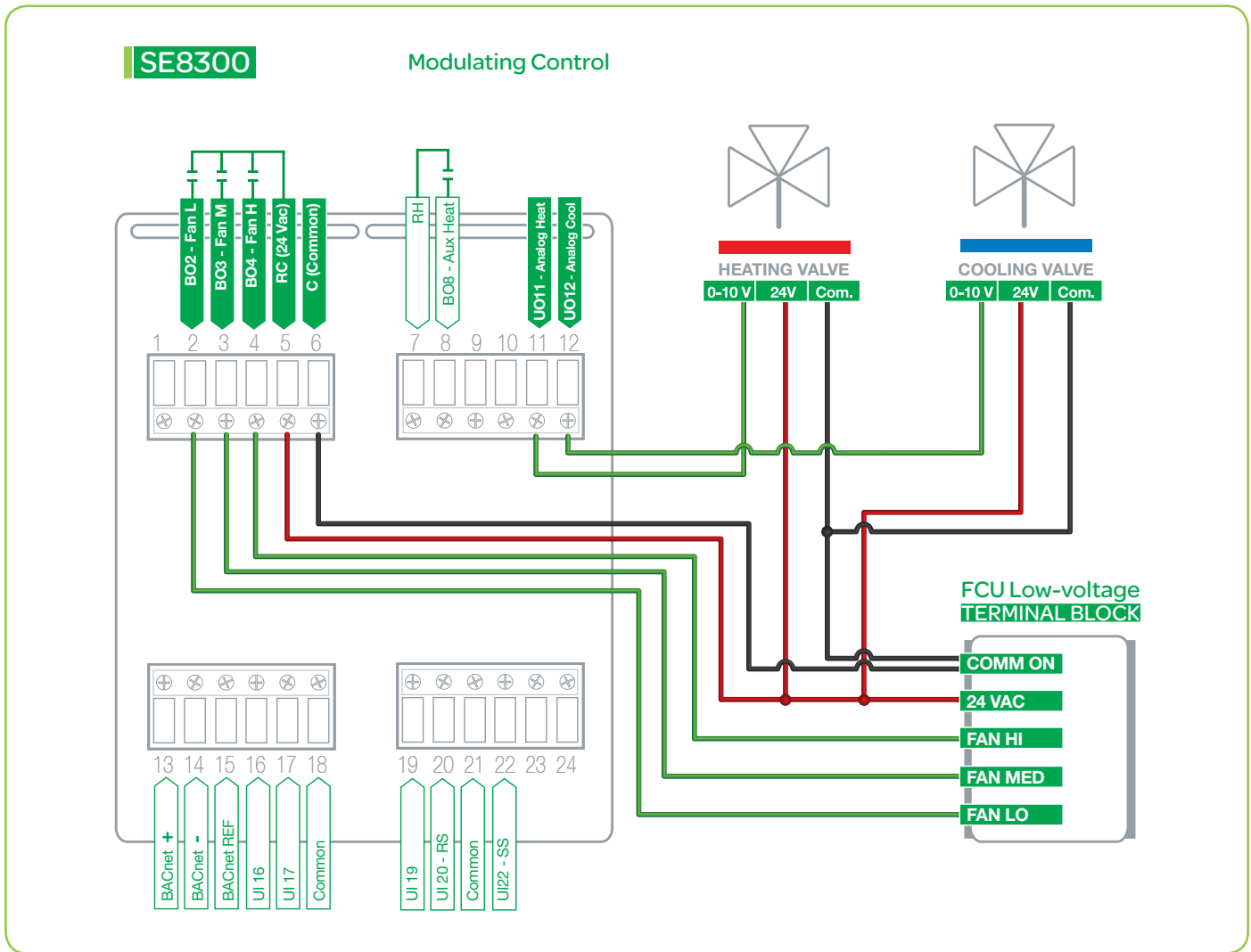
Options

- Wireless adapter modules for BACnet models are available. (see Appendix B for network wiring).
- Remote wall mount or duct sensor ready.
- Can be configured for 2-pipe systems with changeover.
- 3 universal inputs can be used and configured for advanced functionality as required by the application.
- Universal input can be configured for changeover sensor.

SE8350UXBXX HEATING/COOLING 4-PIPE FAN COIL UNIT WITH 3-SPEED FAN, 0-10 VDC ANALOG VALVES AND DEHUMIDIFICATION SEQUENCE FOR LOW VOLTAGE AND WIRELESS WINDOW SWITCH



Configuration Parameter Name	Configuration Settings
Fan menu	L-M-H-A
UI16	Window
Pipe no.	4
Seq. operation	Cool / Heat



Sequence of Operation and Wiring

Occupied Mode

Setpoints revert to those defined by occupied cooling and heating. The changeover sensor sends supply air temperature to controller.

Stand-by Mode (only available when PIR motion detector sensor is used)

Setpoints revert to those defined by stand-by cooling and heating.

Unoccupied Mode

Setpoints revert to those defined by unoccupied heating and cooling.

Occupied Override Mode

System reverts to occupied mode for duration determined by “ToccTime” parameter.

On Call for Cool

Cooling valve opens to maintain room temperature. Heating valve closes. Dehumidification enabled.

On Call for Heat

Heating valve opens to maintain room temperature. Cooling valve closes. Dehumidification disabled.

On Demand for Dehumidification

Dehumidification is achieved via cooling coil using heating coil for reheat if necessary.

Dehumidification only allowed in COOL mode, or if cooling is enabled in AUTO mode.

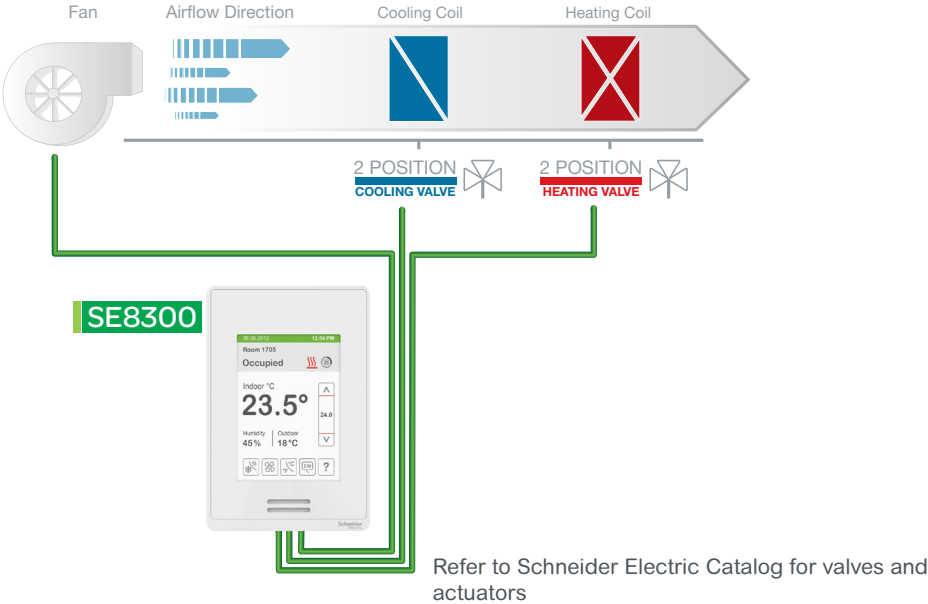
Dehumidification disabled if room temperature falls below low ambient lockout temperature, which is cooling setpoint minus configuration defined deadband value.

Reheat disabled if cooling demand reaches 100%.

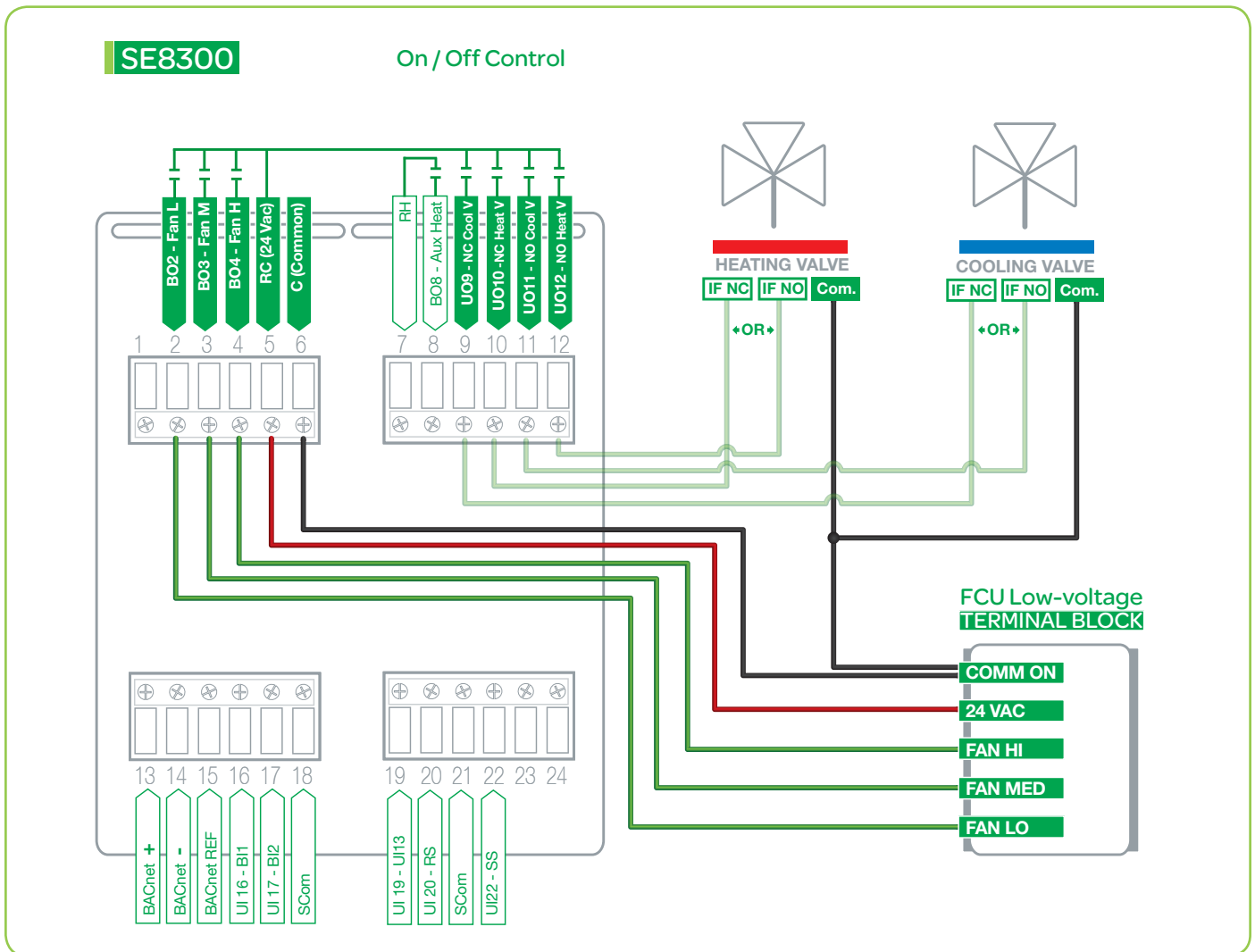
Options

- Wireless adapter modules for BACnet models are available. (see Appendix B for network wiring).
- Remote wall mount or duct sensor ready.
- Can be configured for 2-pipe systems.
- 3 universal inputs can be used and configured for advanced functionality as required by the application.
- Universal input can be configured for changeover sensor.

SE8355UXBXX HEATING/COOLING 4-PIPE FAN COIL UNIT WITH 3-SPEED FAN, 2-POSITION VALVES AND DEHUMIDIFICATION SEQUENCE FOR LOW VOLTAGE



Configuration Parameter Name	Configuration Settings
Fan menu	L-M-H-A
Control Type	On/Off
Pipe no.	4
Seq. operation	Cool/Heat



Sequence of Operation and Wiring

Occupied Mode

Setpoints revert to those defined by occupied cooling and heating.

Stand-by Mode (only available when PIR motion detector sensor is used)

Setpoints revert to those defined by stand-by cooling and heating.

Unoccupied Mode

Setpoints revert to those defined by unoccupied heating and cooling.

Occupied Override Mode

System reverts to occupied mode for duration determined by "TocTime" parameter.

On Call for Cool

Cooling valve opens to maintain room temperature. Heating valve closes. Dehumidification enabled.

On Call for Heat

Heating valve opens to maintain room temperature. Cooling valve closes. Dehumidification disabled.

On Demand for Dehumidification

Dehumidification is achieved via cooling coil using heating coil for reheat if necessary.

Dehumidification only allowed in COOL mode, or if cooling is enabled in AUTO mode.

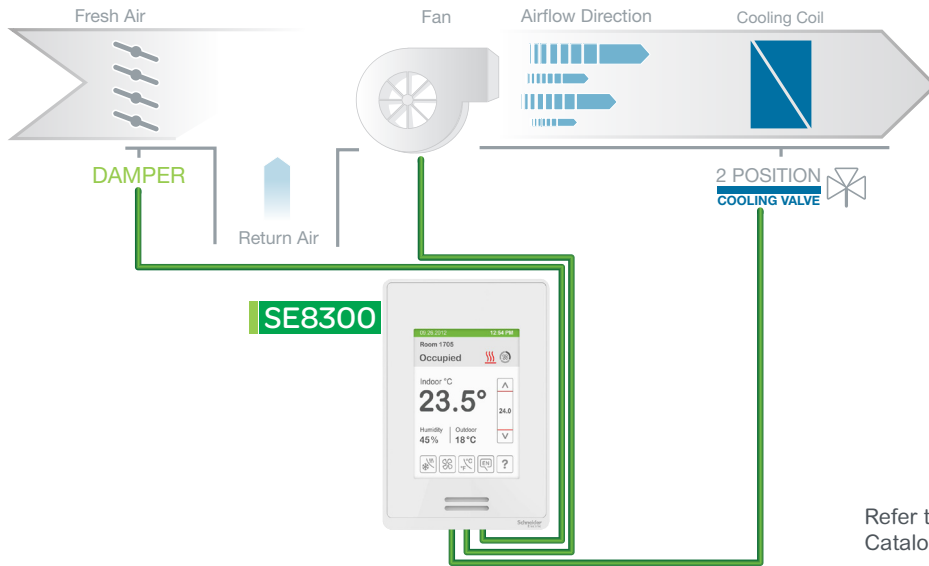
Dehumidification disabled if room temperature falls below low ambient lockout temperature, which is cooling setpoint minus configuration defined deadband value.

Reheat disabled if cooling demand reaches 100%.

Options

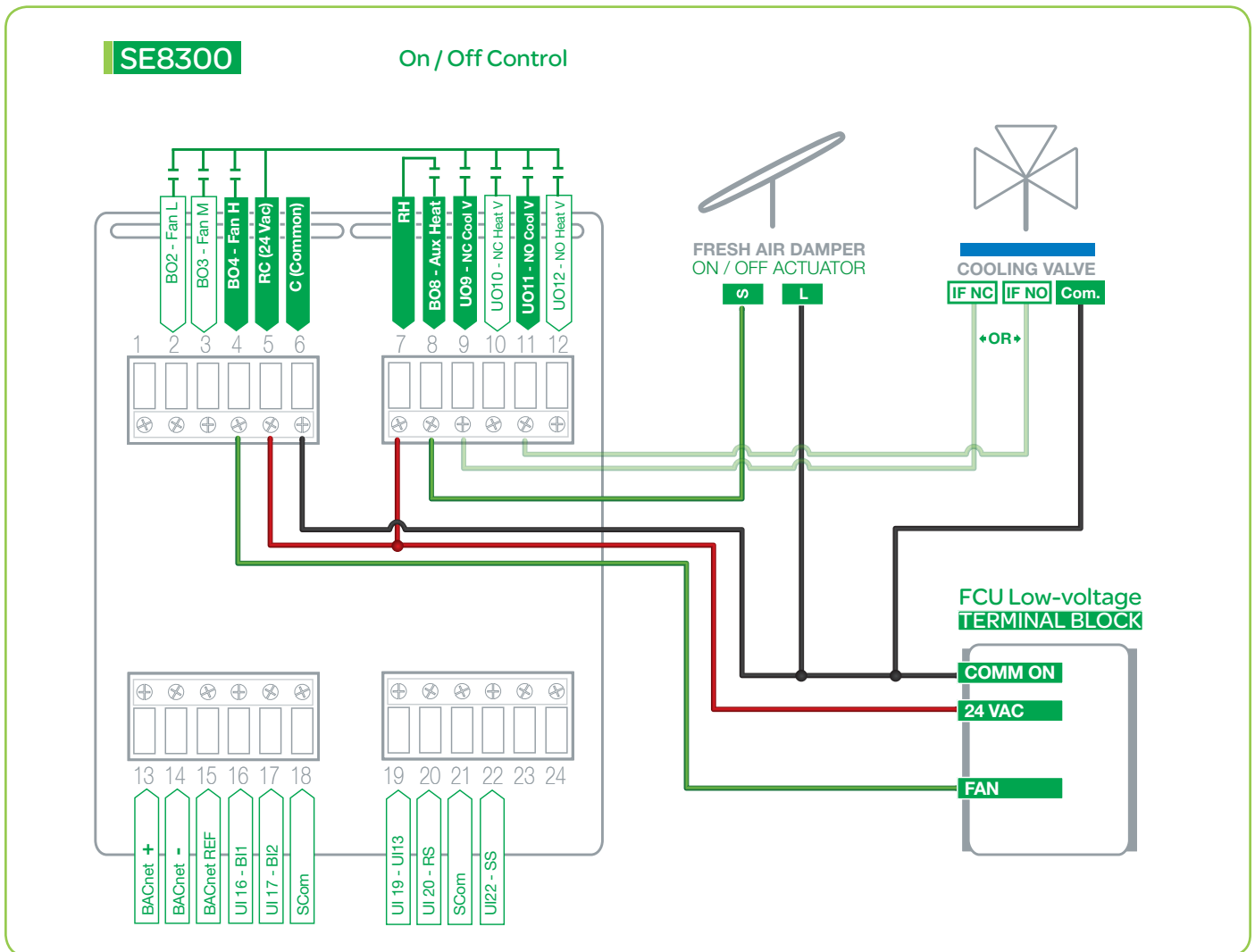
- Wireless adapter modules for BACnet models are available. (see Appendix B for network wiring).
- Models available with factory installed PIR sensor.
- Remote wall mount or duct sensor ready.
- Can be configured for 2-pipe systems.
- 3 universal inputs can be used and configured for advanced functionality as required by the application.
- Universal input can be configured for changeover sensor.

SE8300UXBXX COOLING ONLY 2-PIPE FAN COIL UNIT WITH SINGLE SPEED FAN, 2-POSITION COOLING VALVE AND FRESH AIR DAMPER FOR LOW VOLTAGE



Refer to Schneider Electric Catalog for valves and actuators

Configuration Parameter Name	Configuration Settings
Fan menu	L-M-H-A
Control Type	On/Off
BO8 AuxOut	Aux NO
Pipe no.	2
Seq. operation	Cool only



Sequence of Operation and Wiring

Occupied Mode

Setpoints revert to those defined by occupied cooling and heating. The auxiliary contact closes forcing fresh air damper to its minimum position.

Stand-by Mode (only available when PIR motion detector sensor is used)

Setpoints revert to those defined by stand-by cooling and heating.

Unoccupied Mode

Setpoints revert to those defined by unoccupied heating and cooling. The auxiliary contact opens causing fresh air damper to close completely.

Occupied Override Mode

System reverts to occupied mode for duration determined by "ToccTime" parameter. The auxiliary contact closes forcing fresh air damper to its minimum position.

On Call for Cool

Cooling valve opens.

On Call for Heat

Cooling valve closes.

Options

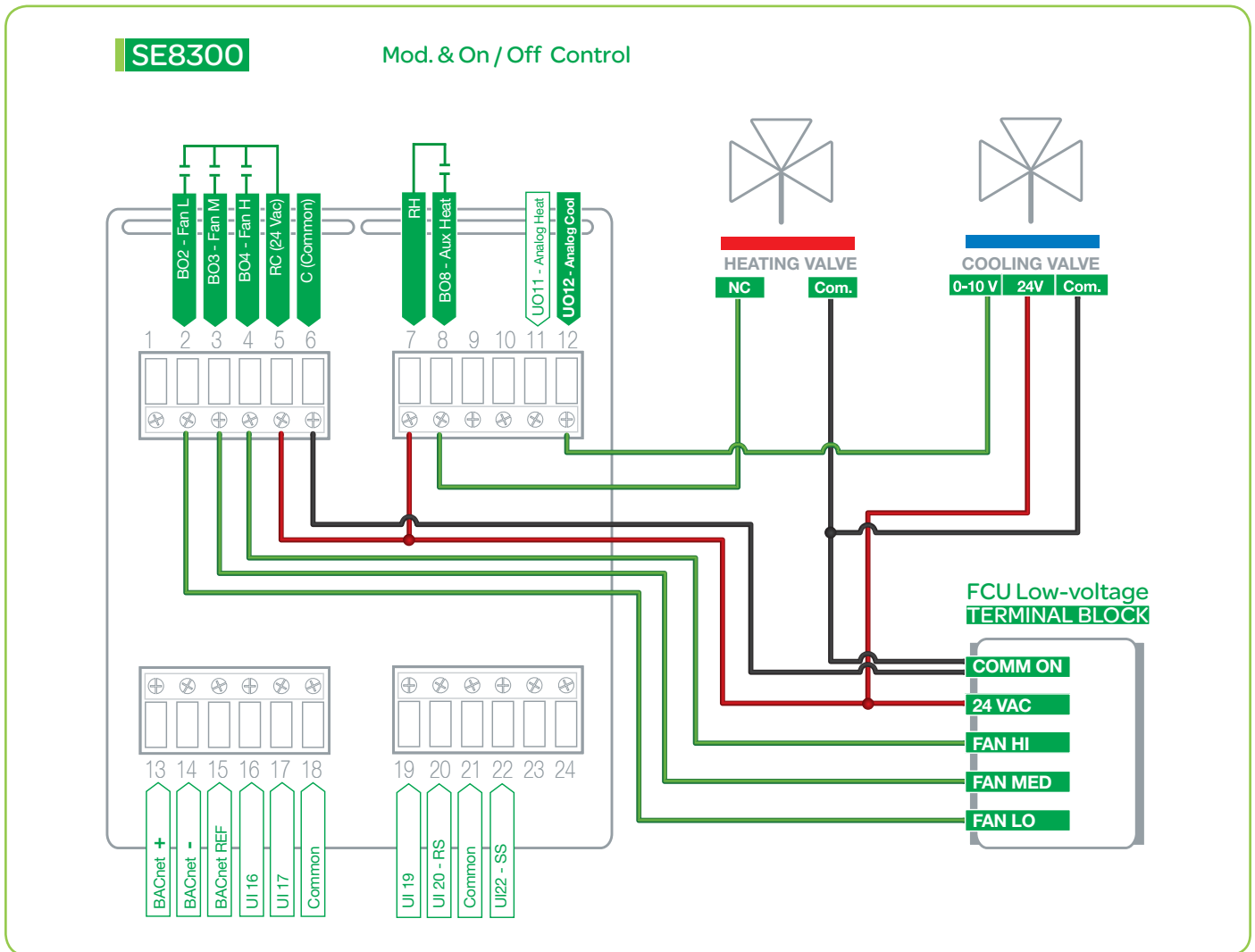
- Wireless adapter modules for BACnet models are available. (see Appendix B for network wiring).
- Remote wall mount or duct sensor ready.
- Can be configured for 4-pipe systems.
- 3 universal inputs can be used and configured for advanced functionality as required by the application.
- Can be configured for two speed or three speed fan control.

SE8300UXBXX COOLING WITH REHEAT 4-PIPE FAN COIL UNIT WITH 3-SPEED FAN, ANALOG COOLING VALVE AND N.C ON/OFF HEATING VALVE FOR LOW VOLTAGE



Refer to Schneider Electric Catalog for valves and actuators

Configuration Parameter Name	Configuration Settings
Fan menu	L-M-H-A
BO8 Out Time	0 = 15 Minute
BO8 AuxOut	0
Pipe no.	4
Seq. operation	Cool-rht



Sequence of Operation and Wiring

Occupied Mode

Setpoints revert to those defined by occupied cooling and heating.

Stand-by Mode (only available when PIR motion detector sensor is used)

Setpoints revert to those defined by stand-by cooling and heating.

Unoccupied Mode

Setpoints revert to those defined by unoccupied heating and cooling.

Occupied Override Mode

System reverts to occupied mode for duration determined by "ToccTime" parameter.

On Call for Cool

Analog valve starts modulating based on cooling demand.

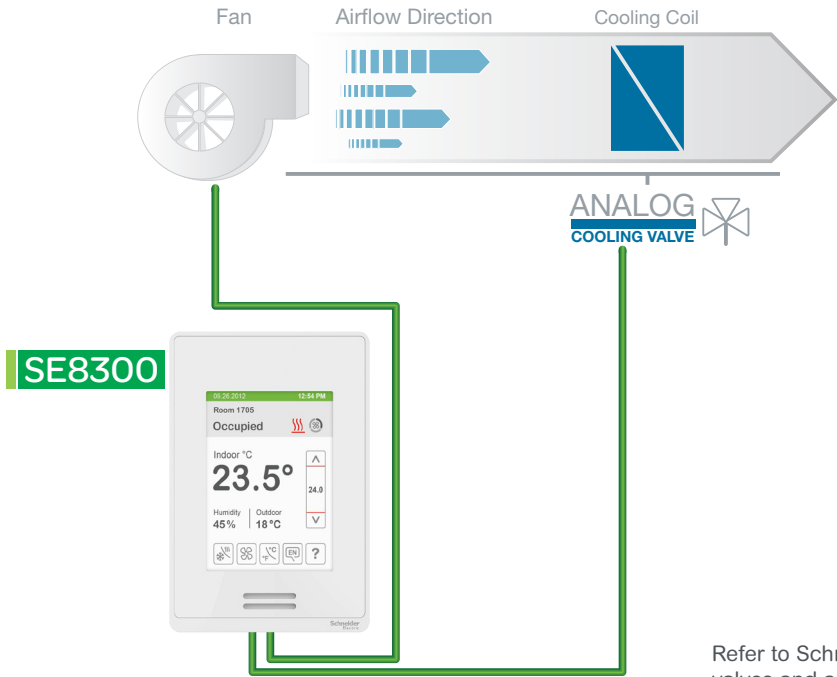
On Call for Heat

Heating valve opens.

Options

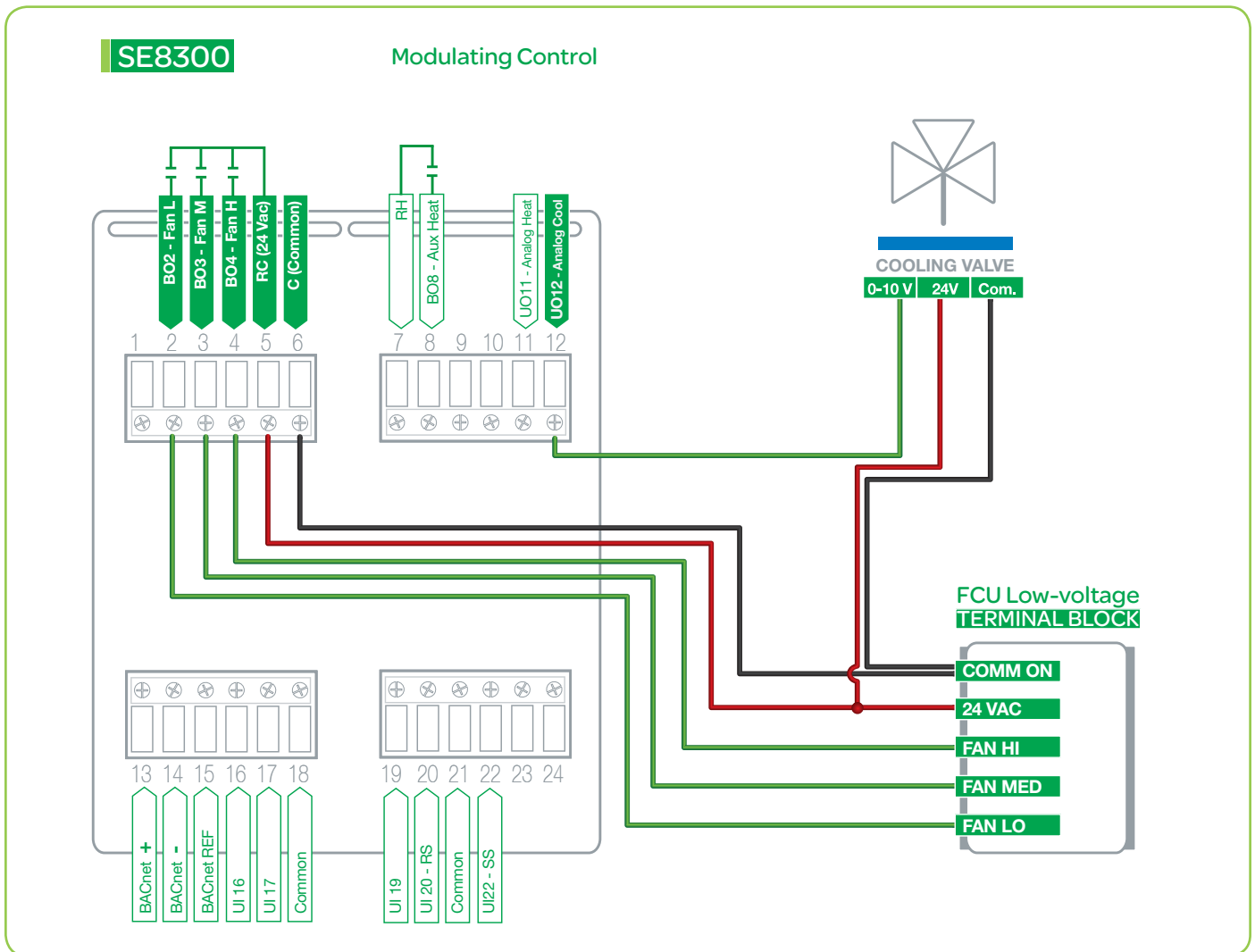
- Wireless adapter modules for BACnet models are available. (see Appendix B for network wiring).
- Remote wall mount or duct sensor ready.
- Can be configured for 2-pipe systems.
- Can be configured to single or two speed fan.
- 3 universal inputs can be used and configured for advanced functionality as required by the application.

SE8300UXBXX COOLING ONLY 2-PIPE FAN COIL UNIT WITH 3-SPEED FAN AND 0-10VDC ANALOG COOLING VALVE FOR LOW VOLTAGE



Refer to Schneider Electric Catalog for valves and actuators

Configuration Parameter Name	Configuration Settings
Fan menu	L-M-H-A
Pipe no.	2
Seq. operation	Cool only



Sequence of Operation and Wiring

Occupied Mode

Setpoints revert to those defined by occupied cooling and heating.

Stand-by Mode (only available when PIR motion detector sensor is used)

Setpoints revert to those defined by stand-by cooling and heating.

Unoccupied Mode

Setpoints revert to those defined by unoccupied heating and cooling.

Occupied Override Mode

System reverts to occupied mode for duration determined by "ToccTime" parameter.

On Call for Cool

Analog valve modulates allowing cool air to flow to reach setpoint.

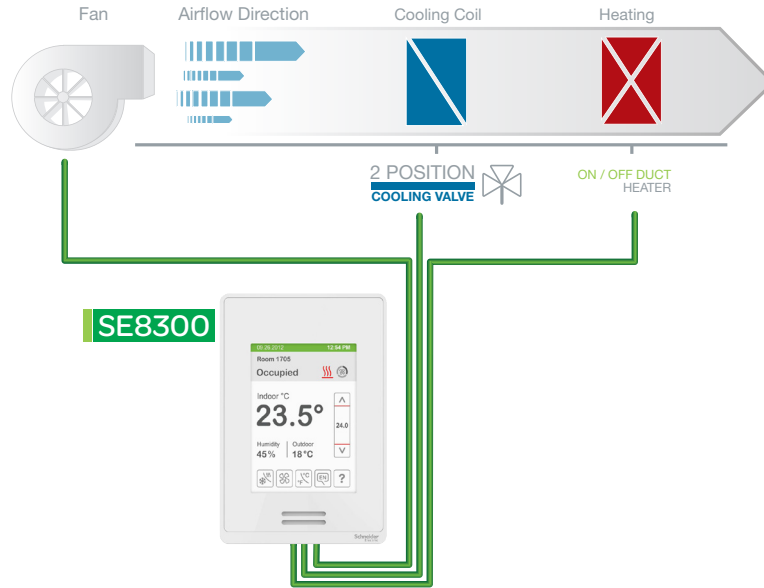
On Call for Heat

Valve closes.

Options

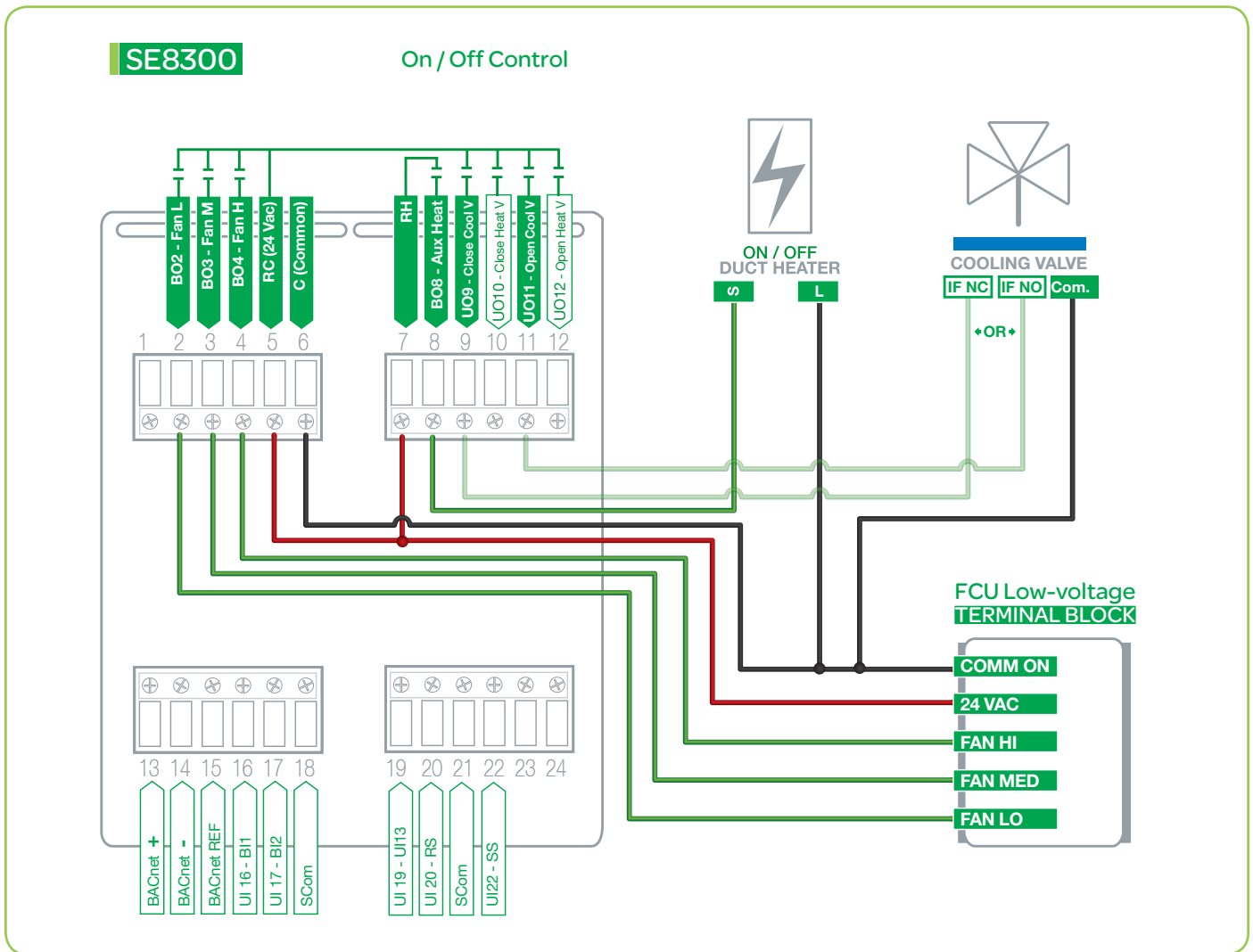
- Wireless adapter modules for BACnet models are available. (see Appendix B for network wiring).
- Remote wall mount or duct sensor ready.
- Can be configured for 4-pipe systems.
- 3 universal inputs can be used and configured for advanced functionality as required by the application.
- Can be configured to two or three speed fan.

SE8300UXBXX COOLING WITH REHEAT 2-PIPE FAN COIL UNIT WITH 3-SPEED FAN, 2-POSITION VALVE AND ELECTRIC REHEAT FOR LOW VOLTAGE



Refer to Schneider Electric Catalog for valves and actuators

Configuration Parameter Name	Configuration Settings
Fan menu	L-M-H-A
Control Type	On/Off
BO8 Out Time	0 = 15 Minute
BO8 AuxOut	0
Pipe no.	2
Seq. operation	Cool-rht



Sequence of Operation and Wiring

Occupied Mode

Setpoints revert to those defined by occupied cooling and heating. The changeover sensor sends supply air temperature to controller.

Stand-by Mode (only available when PIR motion detector sensor is used)

Setpoints revert to those defined by stand-by cooling and heating.

Unoccupied Mode

Setpoints revert to those defined by unoccupied heating and cooling.

Occupied Override Mode

System reverts to occupied mode for duration determined by “ToccTime” parameter.

On Call for Cool

Cooling valve opens. Electric heat stays Off.

On Call for Heat

Valve closes. Electric heat activates.

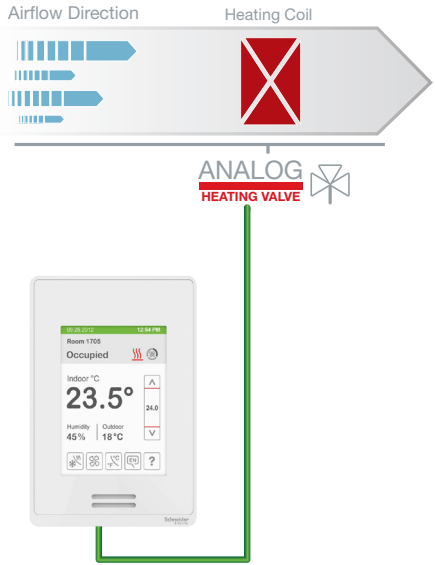
Options

- Wireless adapter modules for BACnet models are available. (see Appendix B for network wiring).
- Remote wall mount or duct sensor ready.
- Can be configured for 4-pipe systems.
- 3 universal inputs can be used and configured for advanced functionality as required by the application.
- Can be configured to single or two speed fan.

SE8300 as Zone Controllers

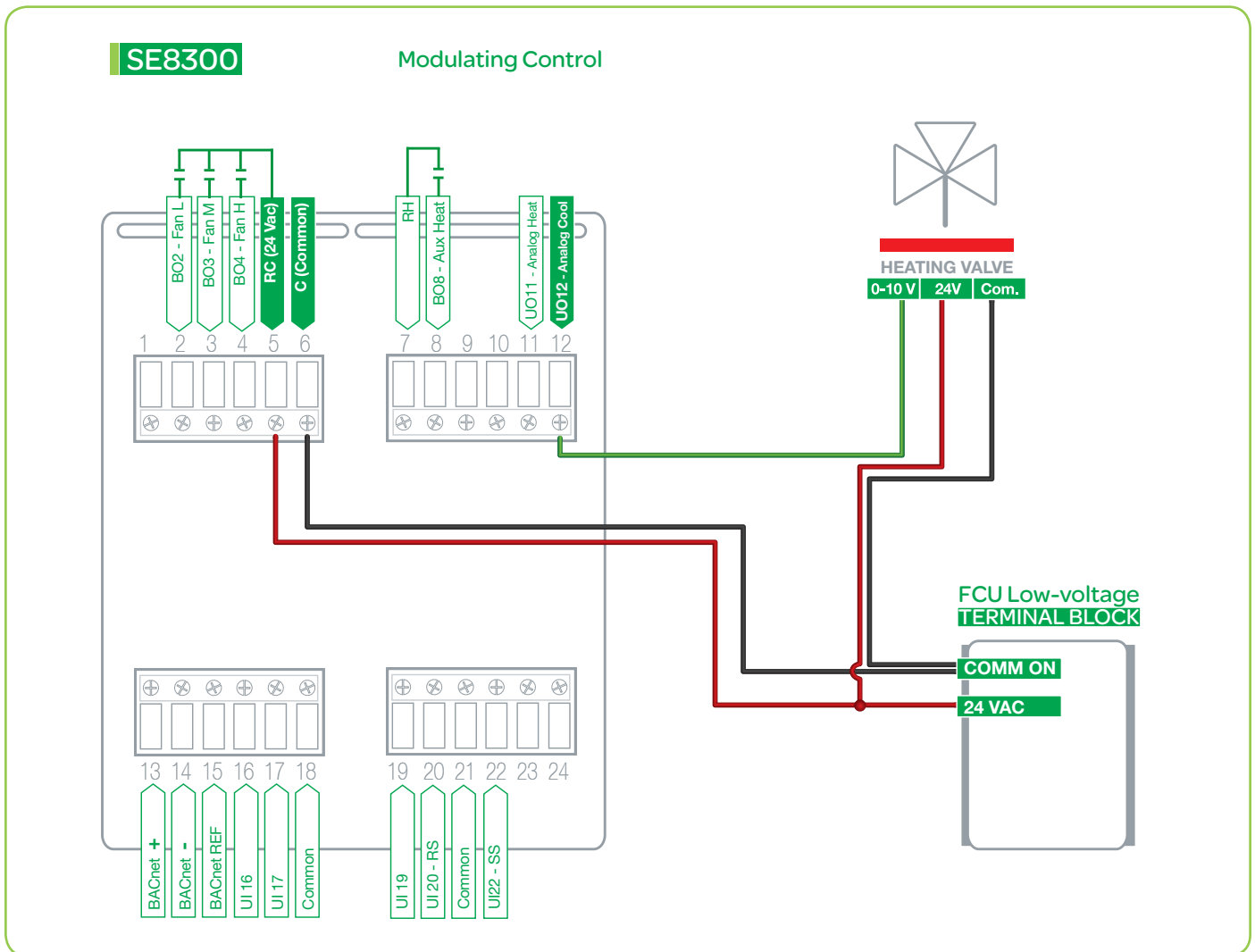
This section shows how the SE8300 series Room Controllers are used as Zone Controllers.

SE8300UXBXX HEATING ONLY ANALOG VALVE ACTUATOR, 2 PIPE



Configuration Parameter Name	Configuration Settings
Pipe no.	2
Seq. operation	Heat only
Control type	Analog

Note: Select a user interface that does not display the FAN MODE button



Sequence of Operation and Wiring

Occupied Mode

During Occupied periods, the occupied heating and cooling setpoints are used.

Stand-by Mode (only available when PIR motion detector sensor is used)

When equipped with a PIR (Passive Infrared) accessory sensor the Controller provides advanced active occupancy logic, which automatically switches occupancy levels from Occupied to Stand-by to Unoccupied when no motion is detected in the room:

- During PIR activated Stand-by periods, Stand-by heating and cooling setpoints are used
- During PIR activated unoccupied periods, unoccupied-by heating and cooling setpoints are used.

Unoccupied Mode

During unoccupied periods, the unoccupied heating and cooling setpoints are used.

Occupied Override Mode

The Controller reverts back to Occupied mode as specified by a configuration timer when a local override is requested at Controller.

On Call for Heat

The heating valve modulates from closed to open according

to demand.

Options

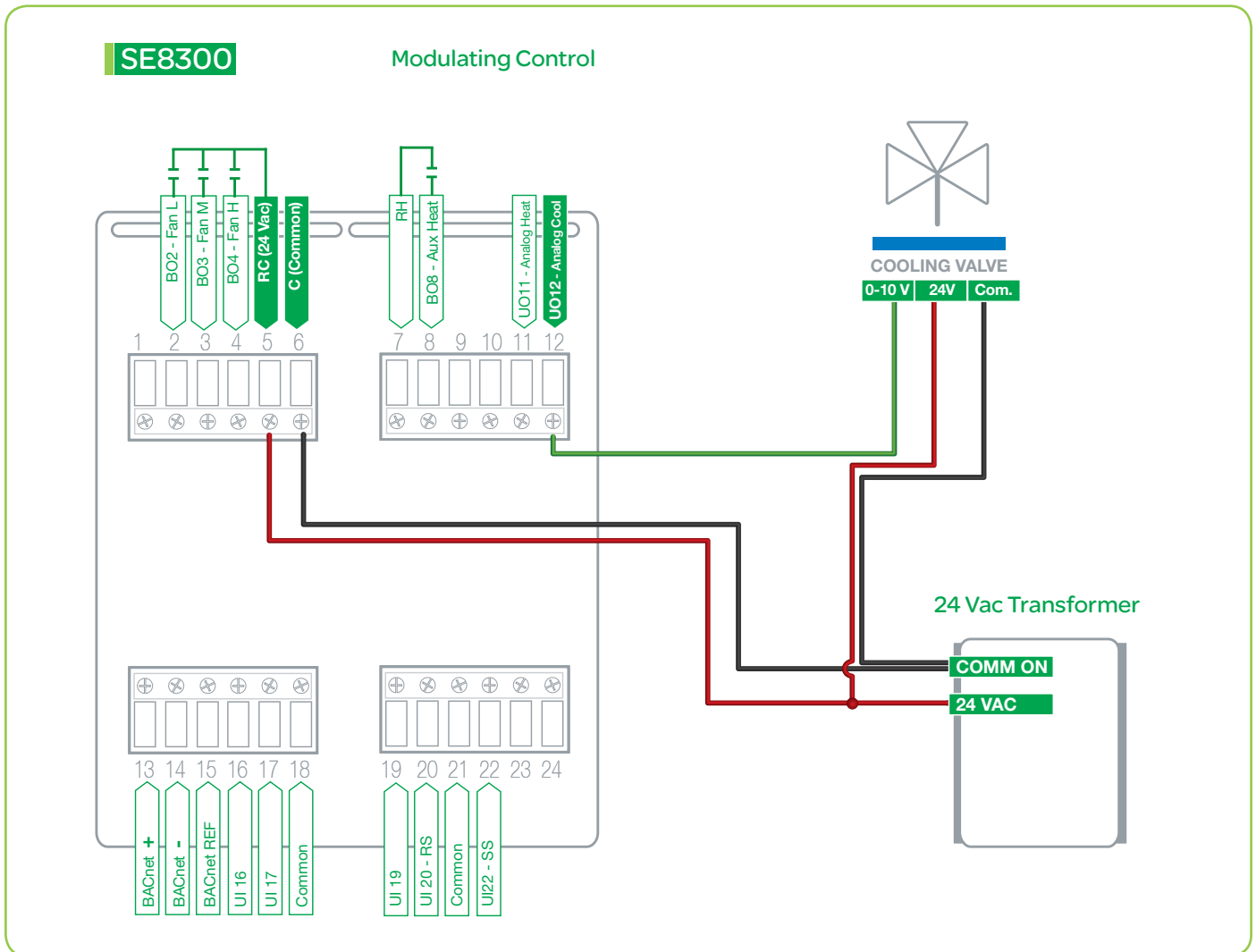
- Wireless adapter modules for BACnet models are available. (see Appendix B for network wiring).
- Remote wall mounted sensor or return air temperature sensor can be used instead of internal temperature sensor of Controller.
- 3 universal inputs can be used and configured for advanced functionality as required by the application.
- Auxiliary electric reheat can be added if required by application.

SE8300UXBXX COOLING ONLY ANALOG VALVE ACTUATOR, 2 PIPE



Configuration Parameter Name	Configuration Settings
Pipe no.	2
Seq. operation	Cool only
Control type	Analog

Note: Select a user interface that does not display the FAN MODE button



Sequence of Operation and Wiring

Occupied Mode

During Occupied periods, the occupied heating and cooling setpoints are used.

Stand-by Mode (only available when PIR motion detector sensor is used)

When equipped with a PIR (Passive Infrared) accessory sensor the Controller provides advanced active occupancy logic, which automatically switches occupancy levels from Occupied to Stand-by to Unoccupied when no motion is detected in the room:

- During PIR activated Stand-by periods, Stand-by heating and cooling setpoints are used
- During PIR activated unoccupied periods, unoccupied-by heating and cooling setpoints are used.

Unoccupied Mode

During unoccupied periods, the unoccupied heating and cooling setpoints are used.

Occupied Override Mode

The Controller reverts back to Occupied mode as specified by a configuration timer when a local override is requested at Controller.

On Call for Heat

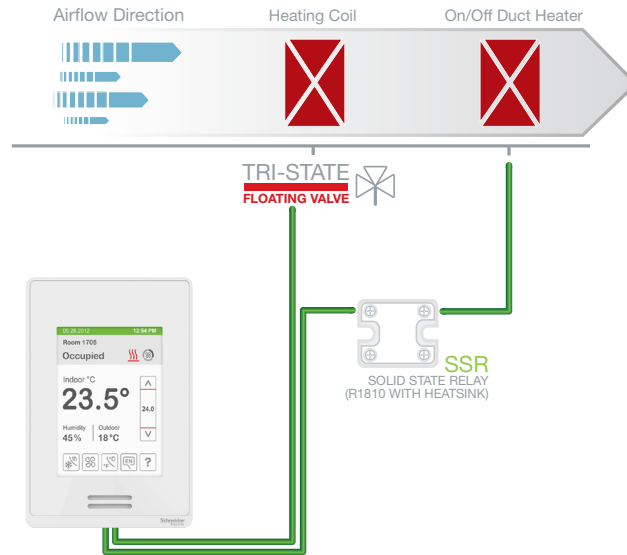
The heating valve modulates from closed to open according

to demand.

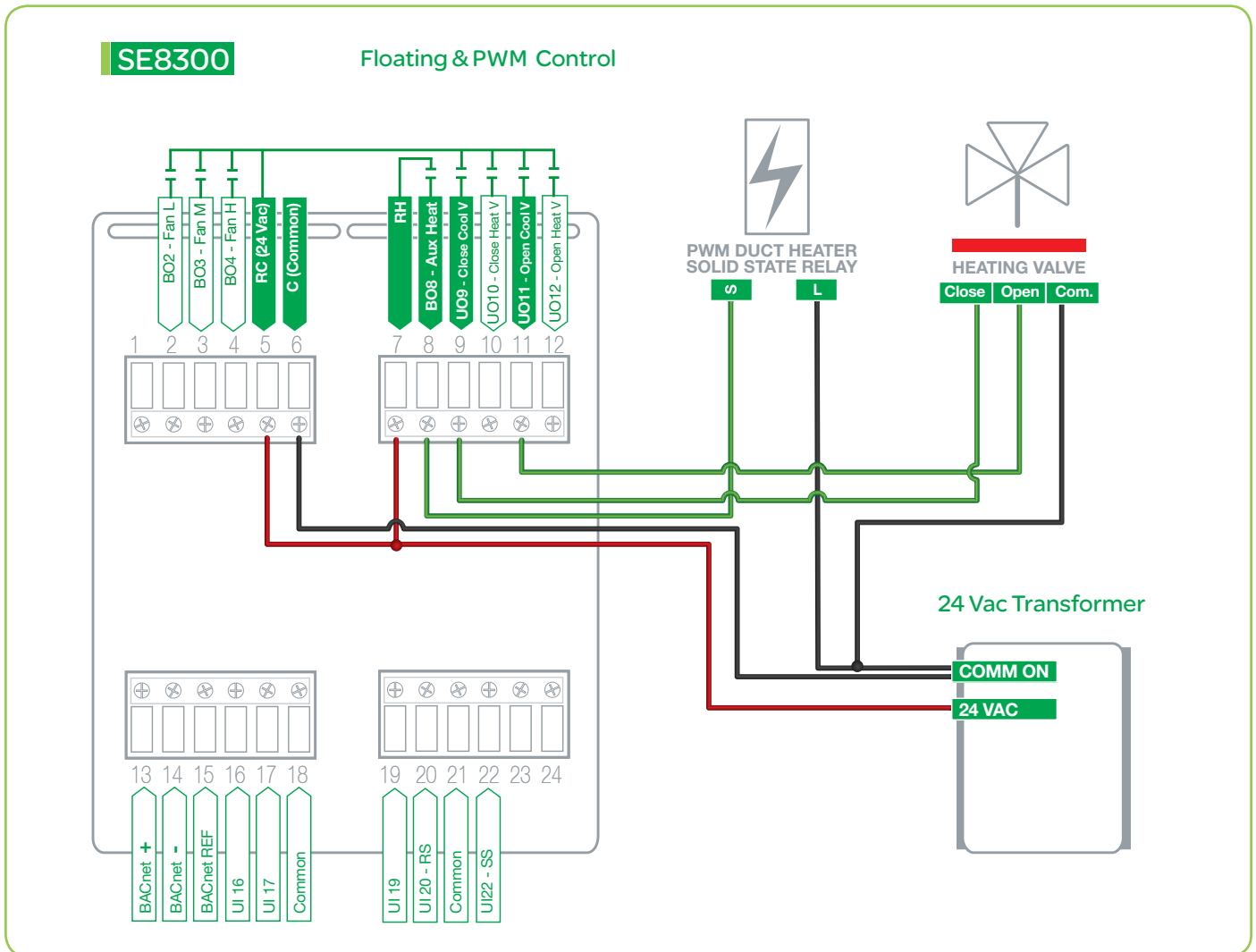
Options

- Wireless adapter modules for BACnet models are available. (see Appendix B for network wiring).
- Remote wall mounted sensor or return air temperature sensor can be used instead of internal temperature sensor of Controller.
- 3 universal inputs can be used and configured for advanced functionality as required by the application.
- Auxiliary electric reheat can be added if required by application.

SE8300UXBXX HEATING COIL WITH TRI-STATE FLOATING VALVE ACTUATOR AND PWM ELECTRIC DUCT HEATER



Configuration Parameter Name	Configuration Settings
Fan menu	ON-AUTO
Control Type	Floating
BO8 Out Time	1 = 10 Second
BO8 AuxOut	0-Heat
Pipe no.	2
Seq. operation	Heat-rht



Sequence of Operation and Wiring

Occupied Mode

During Occupied periods, the occupied heating and cooling setpoints are used.

Stand-by Mode (only available when PIR motion detector sensor is used)

When equipped with a PIR (Passive Infrared) accessory sensor the Controller provides advanced active occupancy logic, which automatically switches occupancy levels from Occupied to Stand-by to Unoccupied when no motion is detected in the room:

- During PIR activated Stand-by periods, Stand-by heating and cooling setpoints are used
- During PIR activated unoccupied periods, unoccupied-by heating and cooling setpoints are used.

Unoccupied Mode

During unoccupied periods, the unoccupied heating and cooling setpoints are used.

Occupied Override Mode

The Controller reverts back to Occupied mode as specified by a configuration timer when a local override is requested at Controller.

On Call for Heat

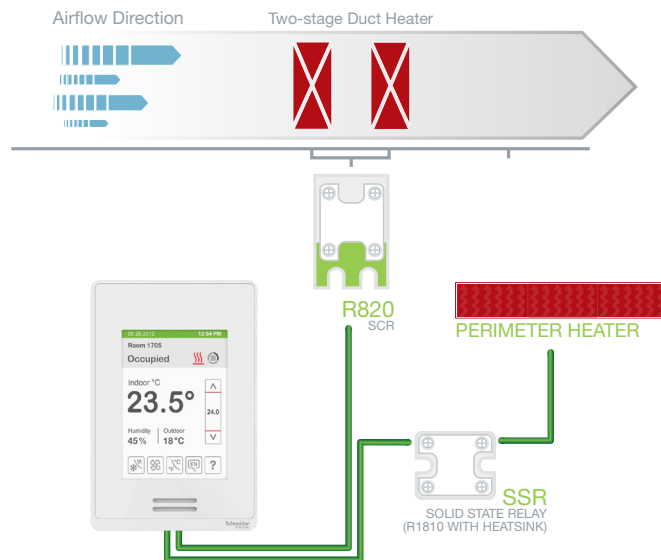
The proportional device will act as a first step and modulates from 0 to 100% capacity. The perimeter heater will operate

as a second step.

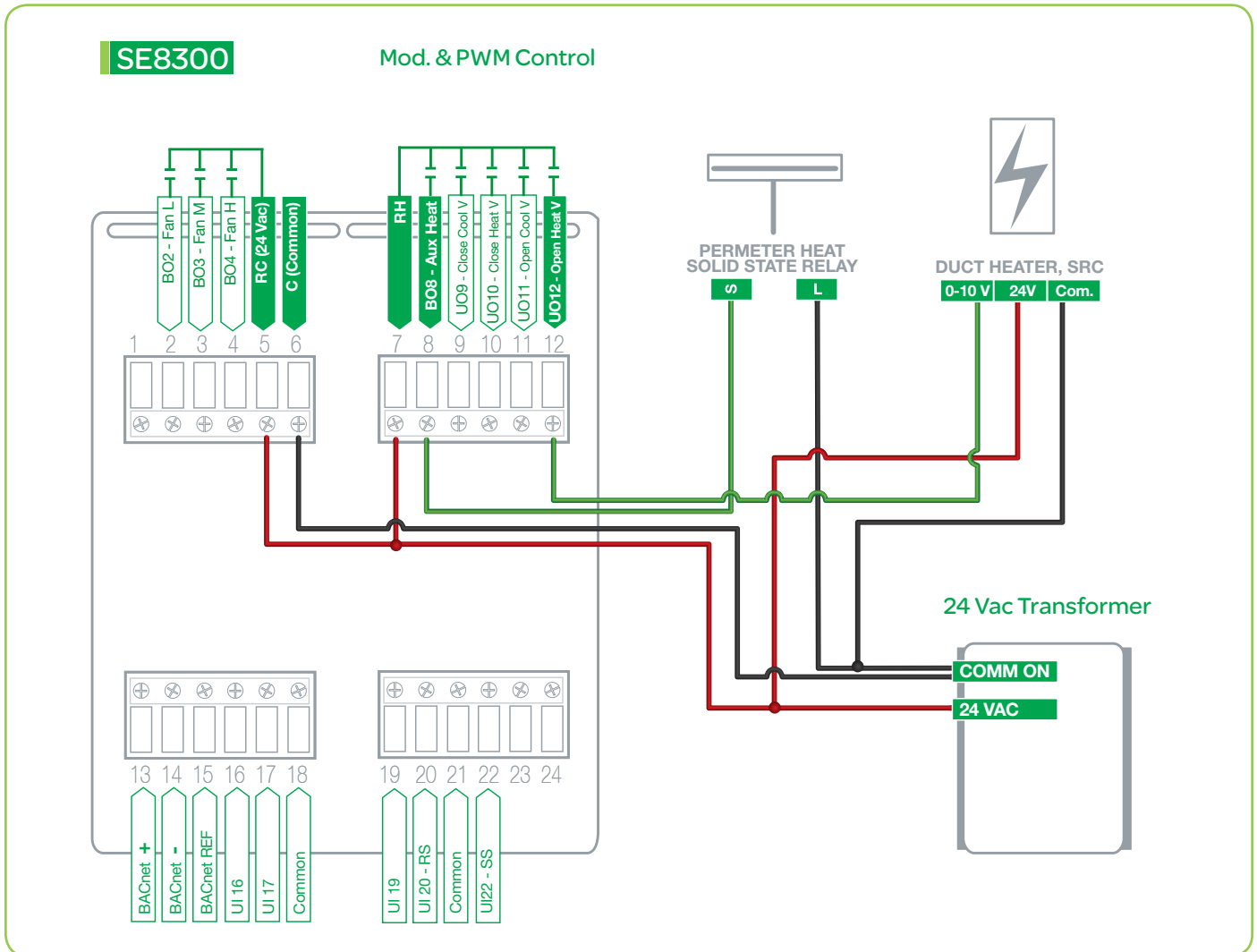
Options

- Wireless adapter modules for BACnet models are available. (see Appendix B for network wiring).
- Remote wall mounted sensor or return air temperature sensor can be used instead of internal temperature sensor of Controller.
- 3 universal inputs can be used and configured for advanced functionality as required by the application.

SE8300UXBXX HEATING WITH REHEAT, MODULATING DUCT HEATER, ELECTRIC PERIMETER



Configuration Parameter Name	Configuration Settings
Fan menu	ON-AUTO
BO8 Out Time	1 = 10 Second
BO8 AuxOut	0-Heat
Pipe no.	2
Seq. operation	Heat-rht



Sequence of Operation and Wiring

Occupied Mode

During Occupied periods, the occupied heating and cooling setpoints are used.

Stand-by Mode (only available when PIR motion detector sensor is used)

When equipped with a PIR (Passive Infrared) accessory sensor the Controller provides advanced active occupancy logic, which automatically switches occupancy levels from Occupied to Stand-by to Unoccupied when no motion is detected in the room:

- During PIR activated Stand-by periods, Stand-by heating and cooling setpoints are used
- During PIR activated unoccupied periods, unoccupied-by heating and cooling setpoints are used.

Unoccupied Mode

During unoccupied periods, the unoccupied heating and cooling setpoints are used.

Occupied Override Mode

The Controller reverts back to Occupied mode as specified by a configuration timer when a local override is requested at Controller.

On Call for Heat

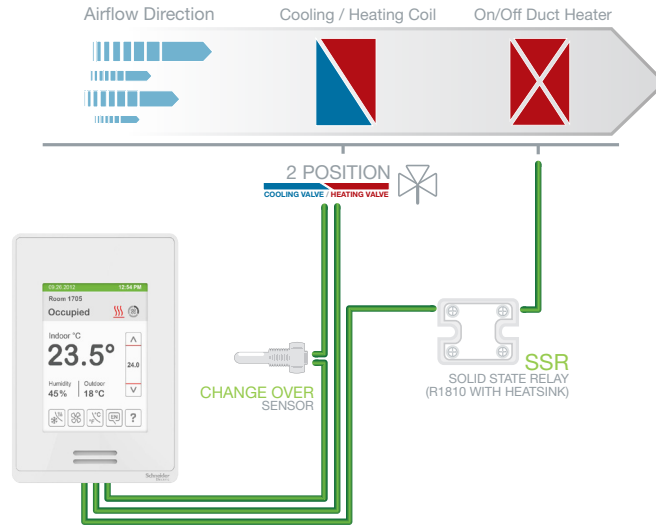
The proportional device acts as a first step and modulates from 0 to 100% capacity. The perimeter heater operates as a

second step.

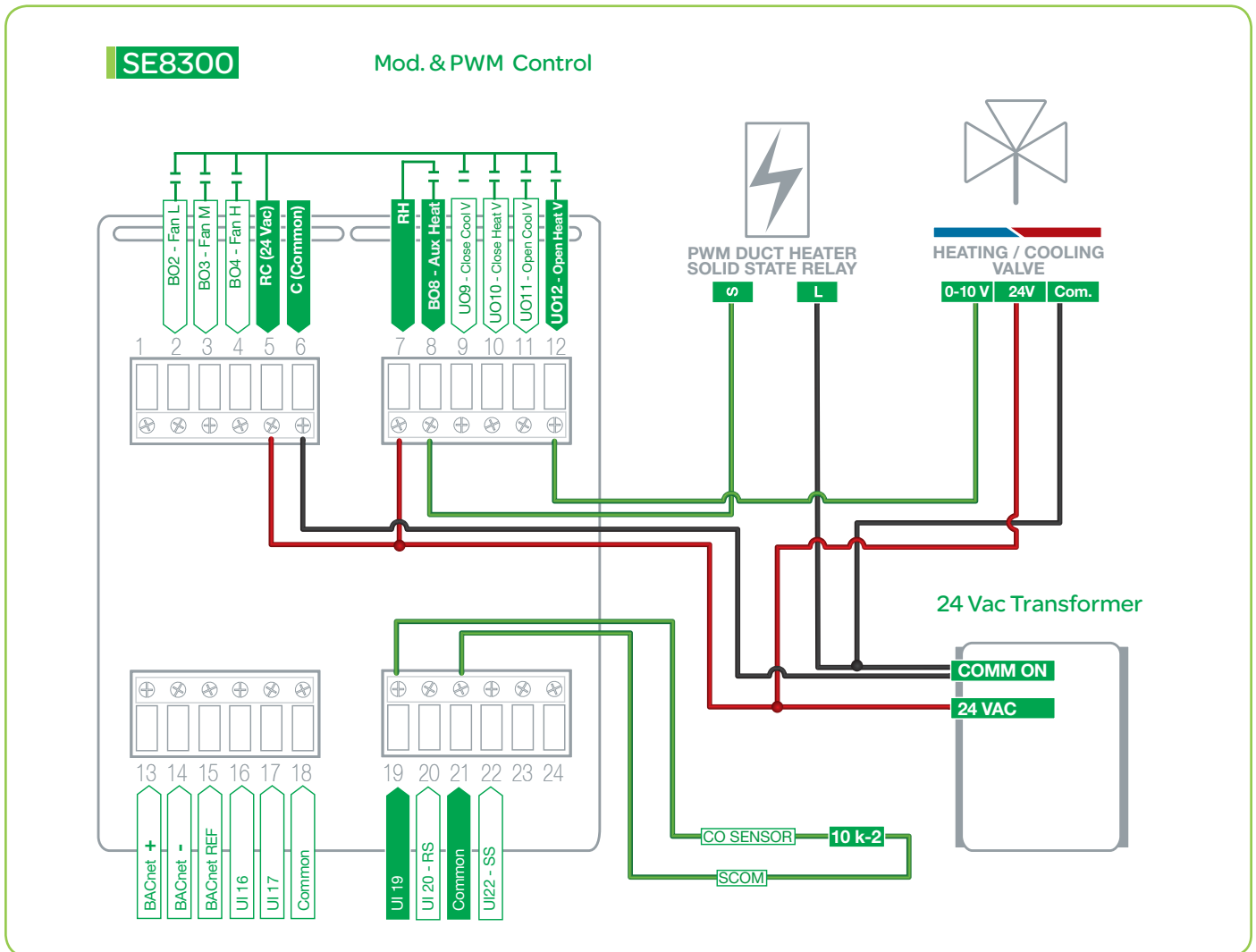
Options

- Wireless adapter modules for BACnet models are available. (see Appendix B for network wiring).
- Remote wall mounted sensor or return air temperature sensor can be used instead of internal temperature sensor of Controller.
- 3 universal inputs can be used and configured for advanced functionality as required by the application.

SE8300UXBXX HEATING AND COOLING WITH CHANGEOVER SENSOR AND REHEAT, ANALOG VALVE ACTUATOR, PWM DUCT HEATER AND WATER SENSOR FOR CHANGEOVER, 2 PIPE



Configuration Parameter Name	Configuration Settings
UI19	COS
Fan menu	ON-AUTO
BO8 Out Time	1 = 10 Second
BO8 AuxOut	0-Heat
Pipe no.	2
Seq. operation	Cool-rht



Sequence of Operation and Wiring

Occupied Mode

During Occupied periods, the occupied heating and cooling setpoints are used.

Stand-by Mode (only available when PIR motion detector sensor is used)

When equipped with a PIR (Passive Infrared) accessory sensor the Controller provides advanced active occupancy logic, which automatically switches occupancy levels from Occupied to Stand-by to Unoccupied when no motion is detected in the room:

- During PIR activated stand-by periods, stand-by heating and cooling setpoints are used.
- During PIR activated unoccupied periods, unoccupied-by heating and cooling setpoints are used.

Unoccupied Mode

During unoccupied periods, unoccupied heating and cooling setpoints are used.

Occupied Override Mode

The Controller reverts back to Occupied mode as specified by a configuration timer when a local override is requested at Controller.

On Call for Heat

If supply water temperature is less than 75°F (23.9°C), the valve modulates from closed to open according to demand. If water supply temperature is greater than 77°F (25°C), valve remains closed.

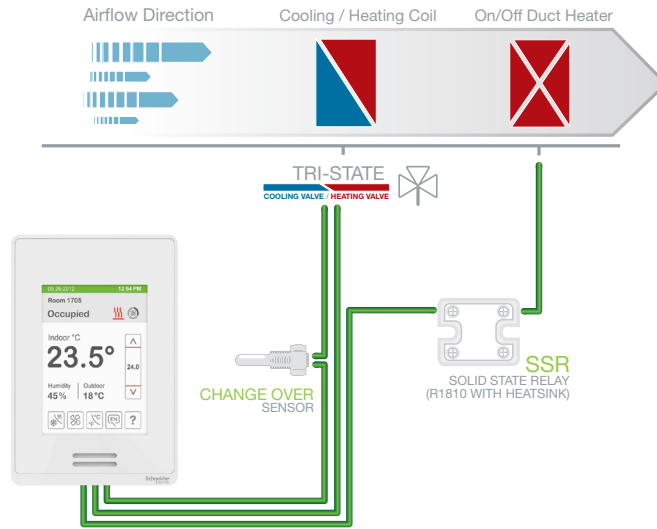
On Call for Cool

If supply water temperature is higher than 77°F (25°C), valve modulates from closed to open according to demand. If water supply temperature is less than 75°F (23.9°C), valve remains closed. The duct heater operates as a second step.

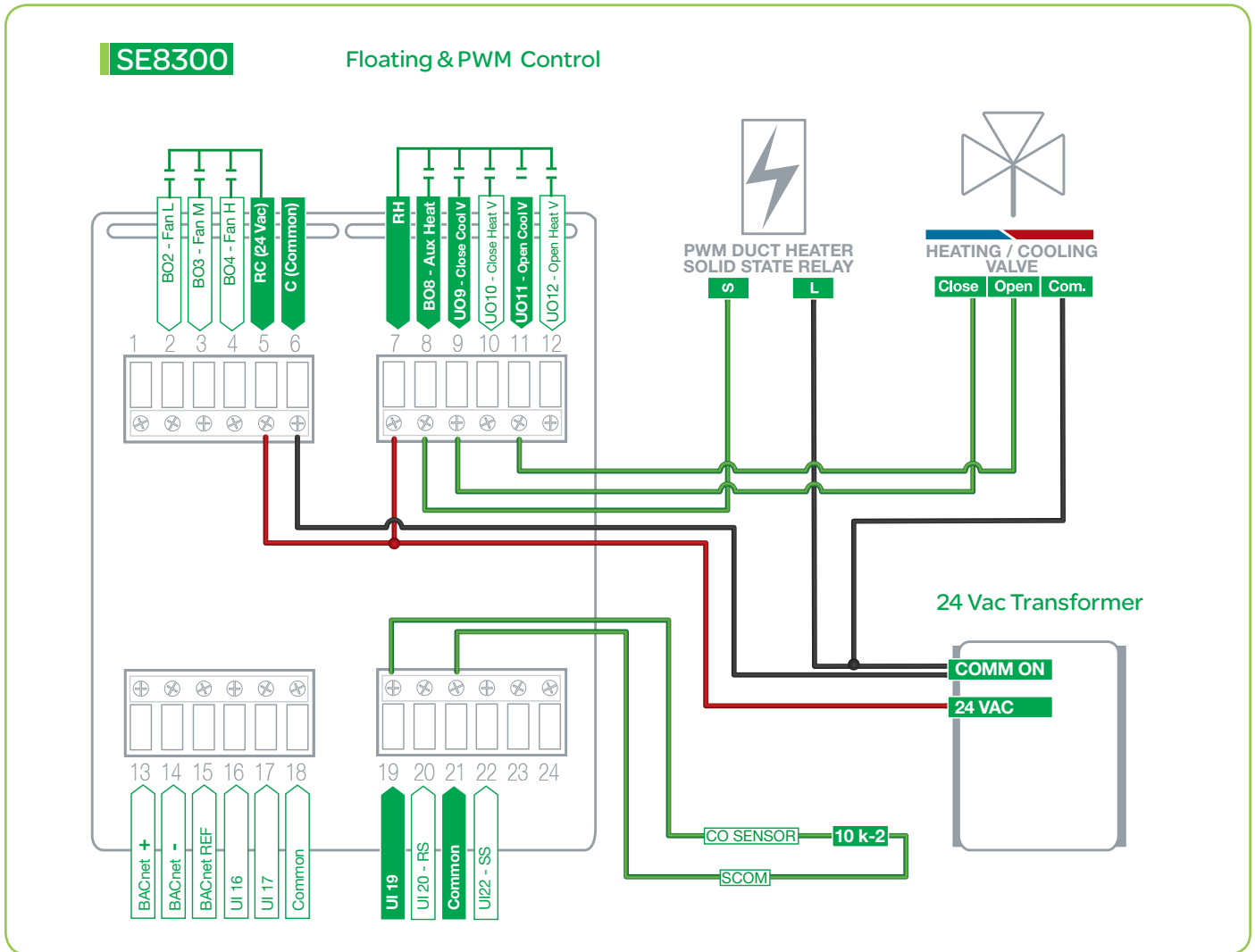
Options

- Wireless adapter modules for BACnet models are available. (see Appendix B for network wiring).
- Remote wall mounted sensor or return air temperature sensor can be used instead of internal temperature sensor of Controller.
- 3 universal inputs can be used and configured for advanced functionality as required by the application.

SE8300UXBXX HEATING AND COOLING WITH CHANGEOVER SENSOR AND REHEAT, TRI-STATE FLOATING ACTUATOR, PWM DUCT HEATER AND WATER SENSOR FOR CHANGEOVER, 2 PIPE



Configuration Parameter Name	Configuration Settings
UI19	COS
Fan menu	ON-AUTO
Control Type	Floating
BO8 Out Time	1 = 10 Second
BO8 AuxOut	0-Heat
Pipe no.	2
Seq. operation	Cool-rht



Sequence of Operation and Wiring

Occupied Mode

During Occupied periods, occupied heating and cooling setpoints are used.

Stand-by Mode (only available when PIR motion detector sensor is used)

When equipped with a PIR (Passive Infrared) accessory sensor the Controller provides advanced active occupancy logic, which automatically switches occupancy levels from occupied to stand-by to unoccupied when no motion is detected in the room:

- During PIR activated stand-by periods, stand-by heating and cooling setpoints are used.
- During PIR activated unoccupied periods, the unoccupied-by heating and cooling setpoints are used.

Unoccupied Mode

During Unoccupied periods, unoccupied heating and cooling setpoints are used.

Occupied Override Mode

The Controller reverts back to Occupied mode as specified by a configuration timer when a local override is requested at Controller.

On Call for Heat

If supply water temperature is less than 75°F (23.9°C), valve modulates from closed to open according to demand. If water supply temperature is greater than 77°F (25°C), valve remains closed.

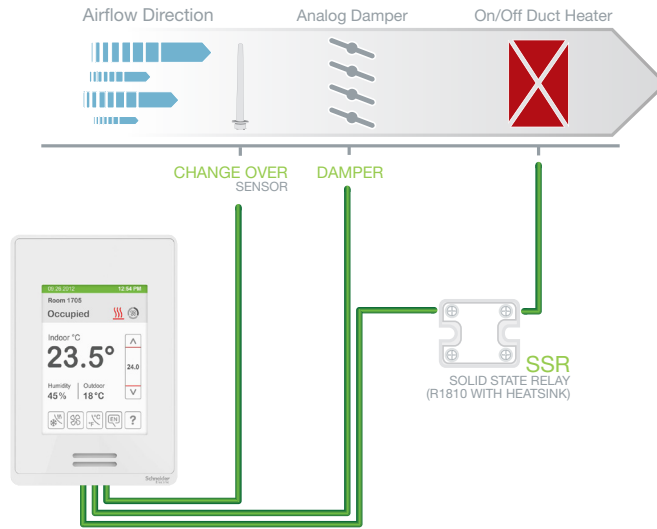
On Call for Cool

If supply water temperature is higher than 77°F (25°C), valve modulates from closed to open according to demand. If water supply temperature is less than 75°F (23.9°C), valve remains closed. The duct heater operates as a second step.

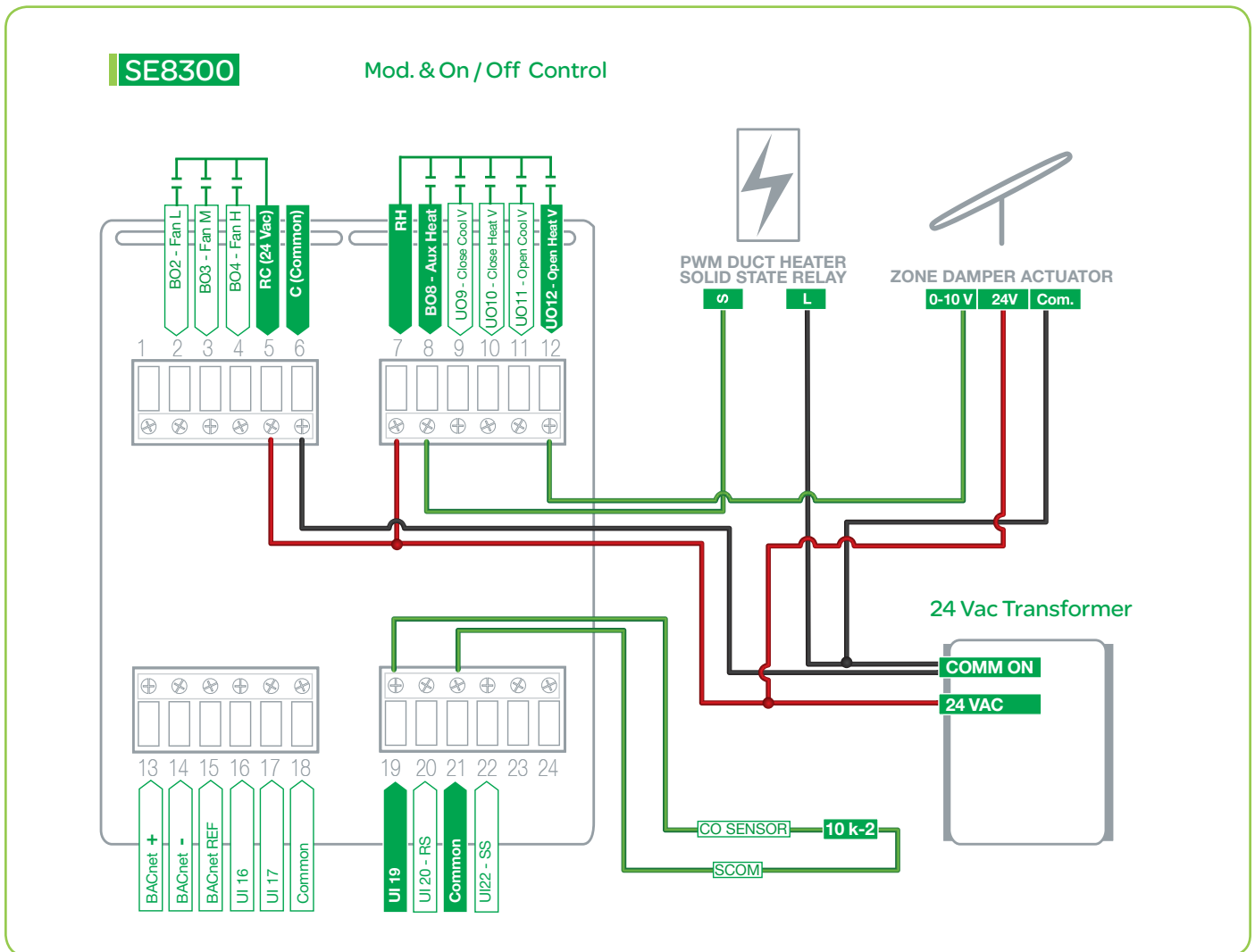
Options

- Wireless adapter modules for BACnet models are available. (see Appendix B for network wiring).
- Remote wall mounted sensor or return air temperature sensor can be used instead of internal temperature sensor of Controller.
- 3 universal inputs can be used and configured for advanced functionality as required by the application.

SE8300UXBXX HEATING AND COOLING WITH CHANGEOVER SENSOR AND REHEAT, ANALOG 0-10 VDC AIR DAMPER ACTUATOR, PWM DUCT HEATER AND AIR SENSOR FOR CHANGEOVER, 2 PIPE



Configuration Parameter Name	Configuration Settings
UI19	COS
Fan menu	ON-AUTO
BO8 Out Time	1 = 10 Second
BO8 AuxOut	0-Heat
Prop. band	Default value 3.0. Range = 3.0 to 10.
Pipe no.	2
Seq. operation	Cool-rht



Sequence of Operation and Wiring

Occupied Mode

During Occupied periods, occupied heating and cooling setpoints are used.

Stand-by Mode (only available when PIR motion detector sensor is used)

When equipped with a PIR (Passive Infrared) accessory sensor the Controller provides advanced active occupancy logic, which automatically switches occupancy levels from occupied to stand-by to unoccupied when no motion is detected in the room:

- During PIR activated stand-by periods, stand-by heating and cooling setpoints are used.
- During PIR activated unoccupied periods, the unoccupied-by heating and cooling setpoints are used.

Unoccupied Mode

During unoccupied periods, unoccupied heating and cooling setpoints are used.

Local Override

The controller reverts back to Occupied mode as specified by a configuration timer when a local override is requested at Controller.

On Call for Heat

If supply water temperature is higher than 77°F (25°C), valve modulates from closed to open according to demand. If water supply temperature is less than 75°F (23.9°C), valve remains closed. The duct heater operates as a second step.

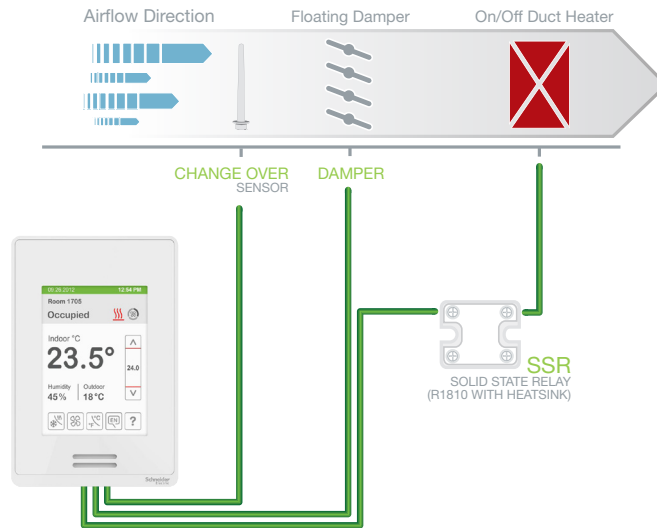
On Call for Cool

If supply air temperature is less than 75°F (23.9°C), damper modulates from closed to open according to demand. If water supply temperature is greater than 77°F (25°C), damper remains closed.

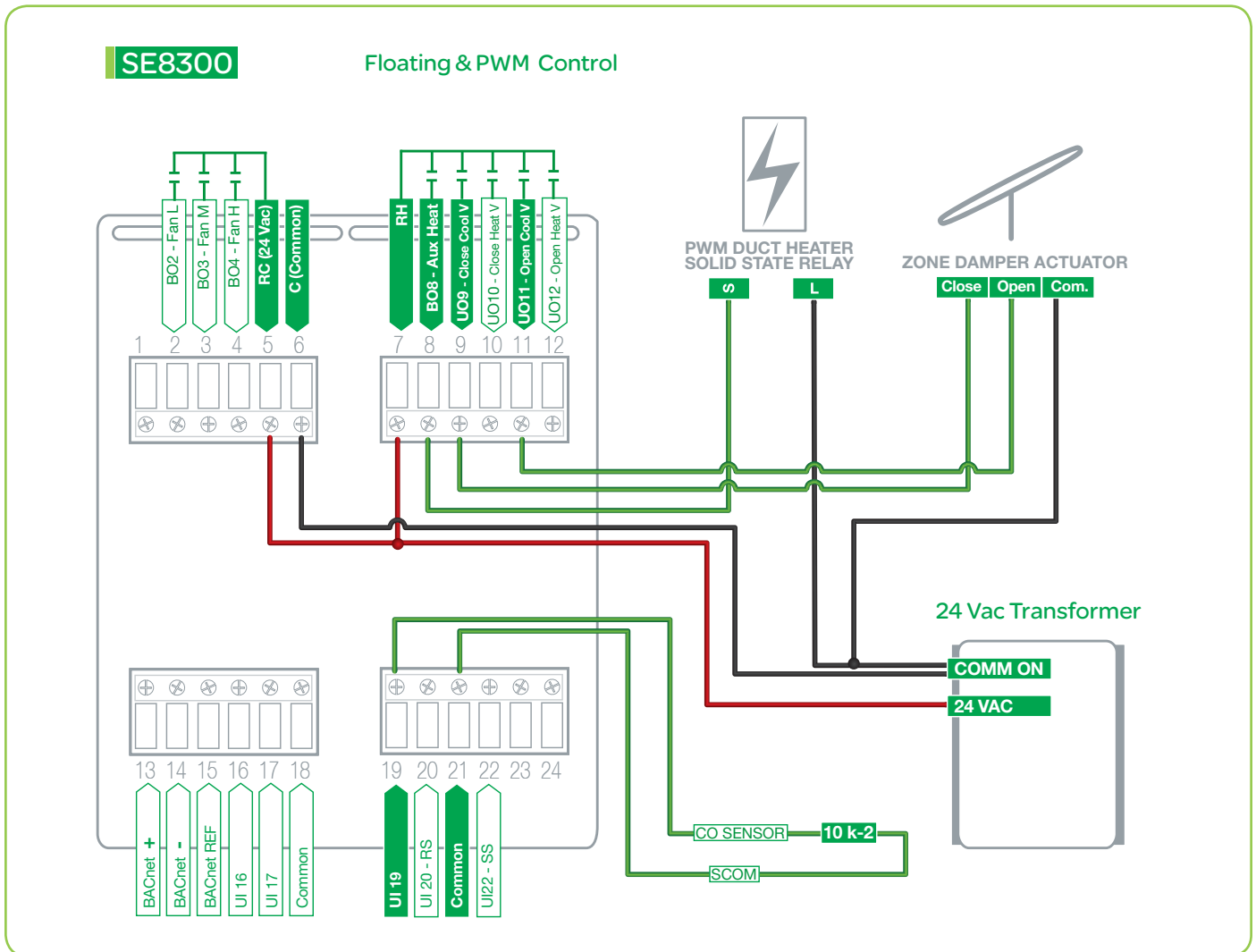
Options

- Wireless adapter modules for BACnet models are available. (see Appendix B for network wiring).
- Remote wall mounted sensor or return air temperature sensor can be used instead of internal temperature sensor of Controller.
- 3 universal inputs can be used and configured for advanced functionality as required by the application.

SE8300UXBXX HEATING AND COOLING WITH CHANGEOVER SENSOR AND REHEAT, FLOATING AIR DAMPER ACTUATOR, PWM DUCT HEATER AND SUPPLY AIR SENSOR FOR CHANGEOVER, 2 PIPE



Configuration Parameter Name	Configuration Settings
UI19	COS
Fan menu	ON-AUTO
Control Type	Floating
BO8 Out Time	1 = 10 Second
BO8 AuxOut	0-Heat
Pipe no.	2
Seq. operation	Cool-rht



Sequence of Operation and Wiring

Occupied Mode

During Occupied periods, occupied heating and cooling setpoints are used.

Stand-by Mode (only available when PIR motion detector sensor is used)

When equipped with a PIR (Passive Infrared) accessory sensor the Controller provides advanced active occupancy logic, which automatically switches occupancy levels from occupied to stand-by to unoccupied when no motion is detected in the room:

- During PIR activated stand-by periods, stand-by heating and cooling setpoints are used.
- During PIR activated unoccupied periods, the unoccupied-by heating and cooling setpoints are used.

Unoccupied Mode

During unoccupied periods, unoccupied heating and cooling setpoints are used.

Local Override

The Controller reverts back to the occupied mode as specified by a configuration timer when a local override is requested at Controller.

On Call for Heat

If supply water temperature is higher than 77°F (25°C), valve modulates from closed to open according to demand. If water supply temperature is less than 75°F (23.9°C), valve remains closed. The duct heater operates as a second step.

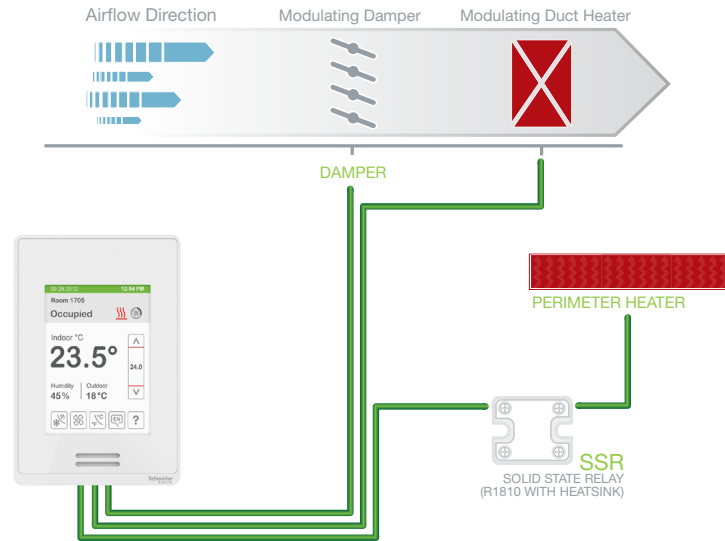
On Call for Cool

If supply air temperature is less than 75°F (23.9°C), damper modulates from closed to open according to demand. If water supply temperature is greater than 77°F (25°C), damper remains closed.

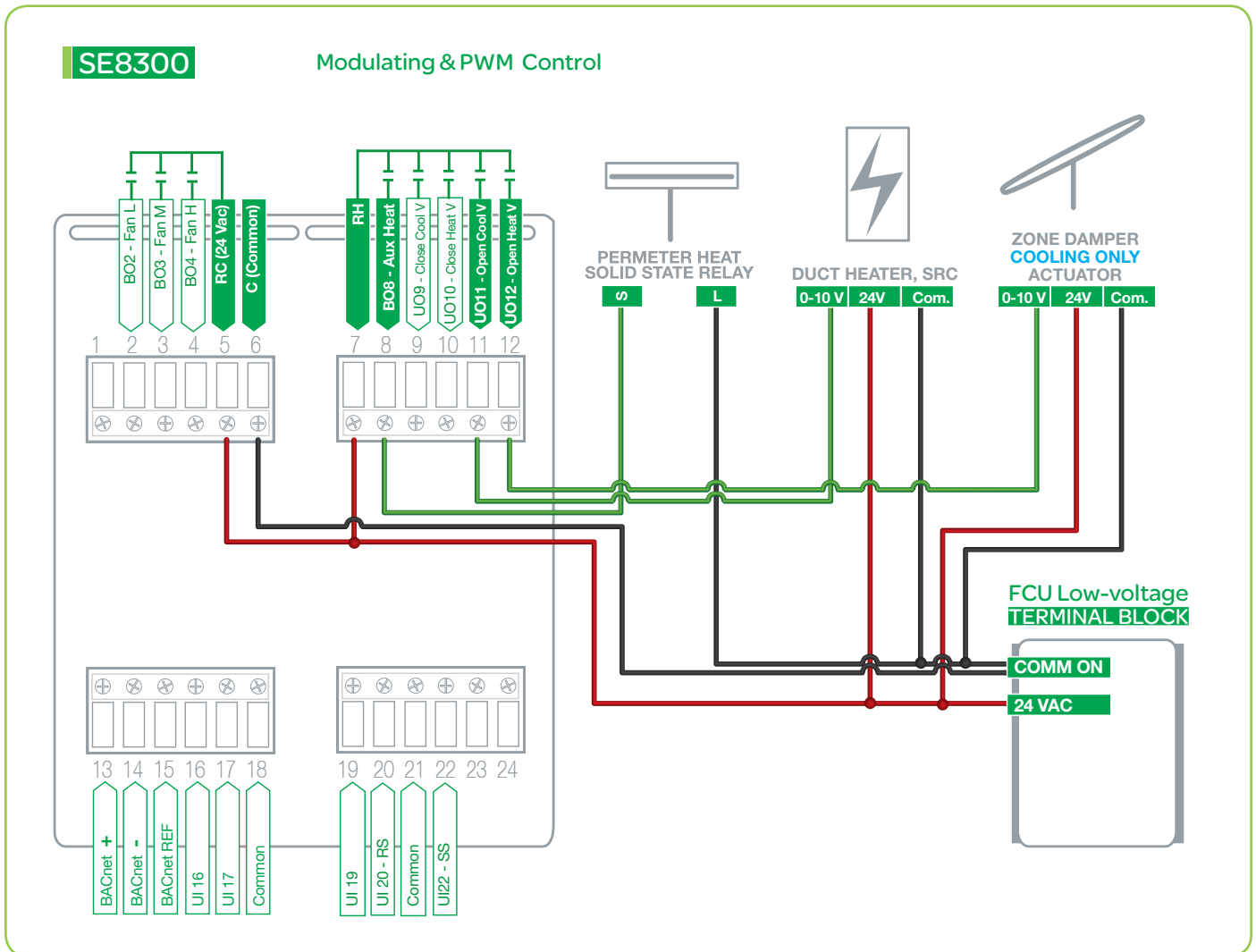
Options

- Wireless adapter modules for BACnet models are available. (see Appendix B for network wiring).
- Remote wall mounted sensor or return air temperature sensor can be used instead of internal temperature sensor of Controller.
- 3 universal inputs can be used and configured for advanced functionality as required by the application.

SE8300UXBXX COOLING AND REHEAT, ANALOG 0-10 VDC AIR DAMPER ACTUATOR, ANALOG DUCT HEATER AND ELECTRIC PERIMETER



Configuration Parameter Name	Configuration Settings
Fan menu	ON-AUTO
BO8 Out Time	1 = 10 Second
BO8 AuxOut	0-Heat
Pipe no.	4
Seq. operation	Cl/ht-rht



Sequence of Operation and Wiring

Occupied Mode

During Occupied periods, occupied heating and cooling setpoints are used.

Stand-by Mode (only available when PIR motion detector sensor is used)

When equipped with a PIR (Passive Infrared) accessory sensor the Controller provides advanced active occupancy logic, which automatically switches occupancy levels from occupied to stand-by to unoccupied when no motion is detected in the room:

- During PIR activated stand-by periods, stand-by heating and cooling setpoints are used.
- During PIR activated unoccupied periods, the unoccupied-by heating and cooling setpoints are used.

Unoccupied Mode

During unoccupied periods, unoccupied heating and cooling setpoints are used.

Local Override

The Controller reverts back to Occupied mode as specified by a configuration timer when a local override is requested at Controller.

On Call for Heat

The damper remains closed. The proportional heater acts as a first step and modulate from 0 to 100% capacity. The perimeter heater operates as a second step.

On Call for Cool

The damper modulates from closed to open according to demand.

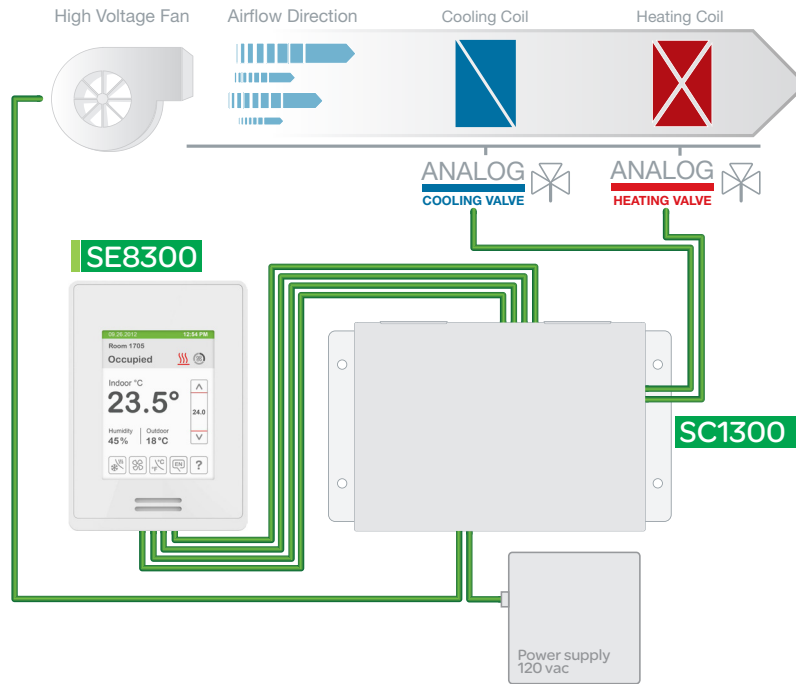
Options

- Wireless adapter modules for BACnet models are available. (see Appendix B for network wiring).
- Remote wall mounted sensor or return air temperature sensor can be used instead of internal temperature sensor of Controller.
- 3 universal inputs can be used and configured for advanced functionality as required by the application.

SE8300 Mixed-voltage Applications

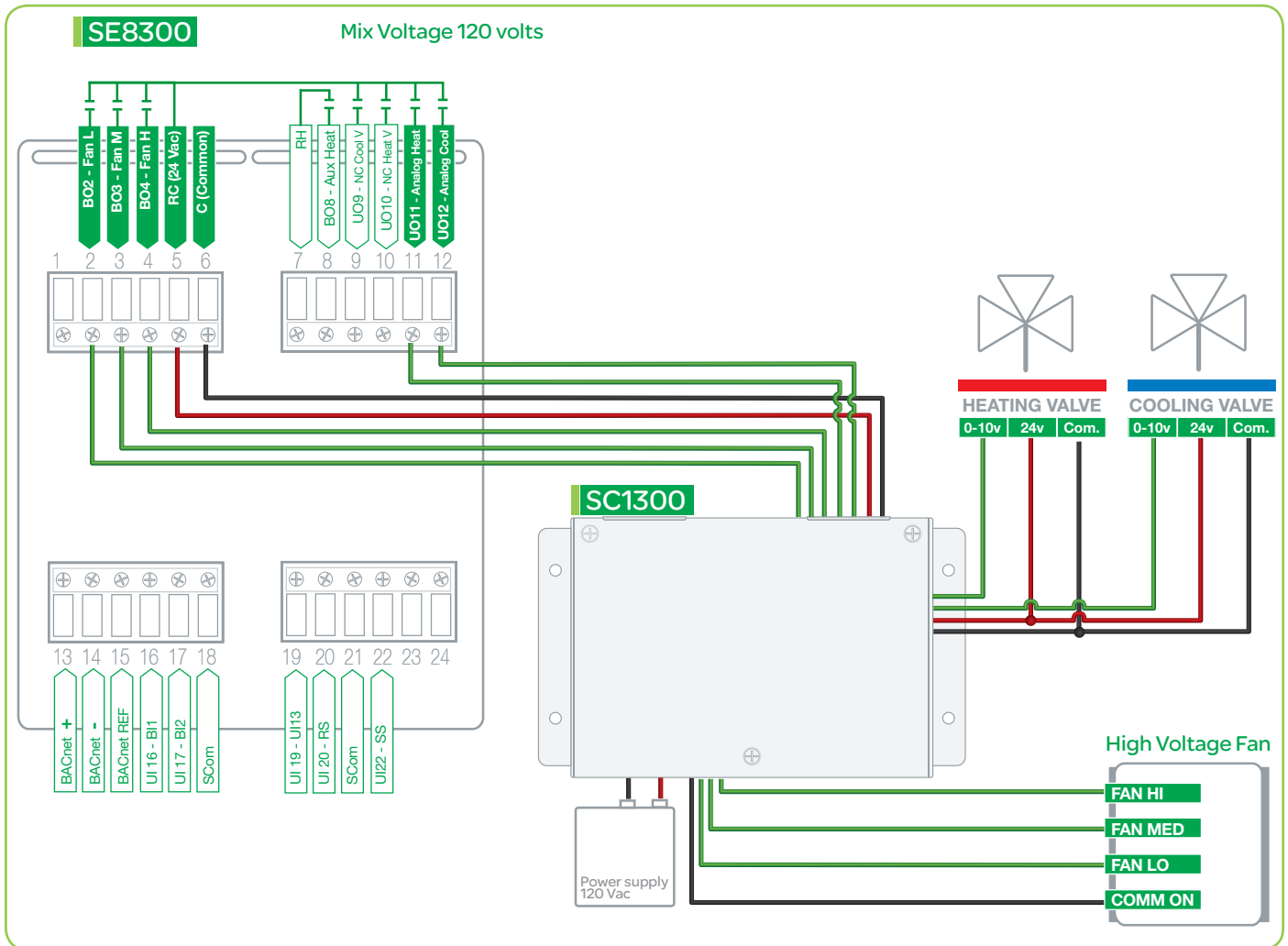
Applications in this section make use of the SC1300 and SC2300 mixed-voltage relays.

SE8350UXBXX AND SC1300 120 VDC RELAY HEATING/COOLING 4-PIPE FAN COIL UNIT WITH HIGH VOLTAGE 3-SPEED FAN, AND 0-10 VDC ANALOG VALVES AND DEHUMIDIFICATION SEQUENCE FOR LOW VOLTAGE



Refer to Schneider Electric Catalog for valves and actuators

Configuration Parameter Name	Configuration Settings
Fan menu	L-M-H-A
Pipe no.	4
Seq. operation	Cool / Heat



Sequence of Operation and Wiring

Occupied Mode

Setpoints revert to those defined by occupied cooling and heating. The changeover sensor sends supply air temperature to controller.

Stand-by Mode (only available when PIR motion detector sensor is used)

Setpoints revert to those defined by stand-by cooling and heating.

Unoccupied Mode

Setpoints revert to those defined by unoccupied heating and cooling.

Occupied Override Mode

System reverts to occupied mode for duration determined by "ToccTime" parameter.

On Call for Cool

Cooling valve opens to maintain room temperature. Heating valve closes. Dehumidification enabled.

On Call for Heat

Heating valve opens to maintain room temperature. Cooling valve closes. Dehumidification disabled.

On Demand for Dehumidification

Dehumidification is achieved via cooling coil using heating coil for reheat if necessary.

Dehumidification only allowed in COOL mode, or if cooling is enabled in AUTO mode.

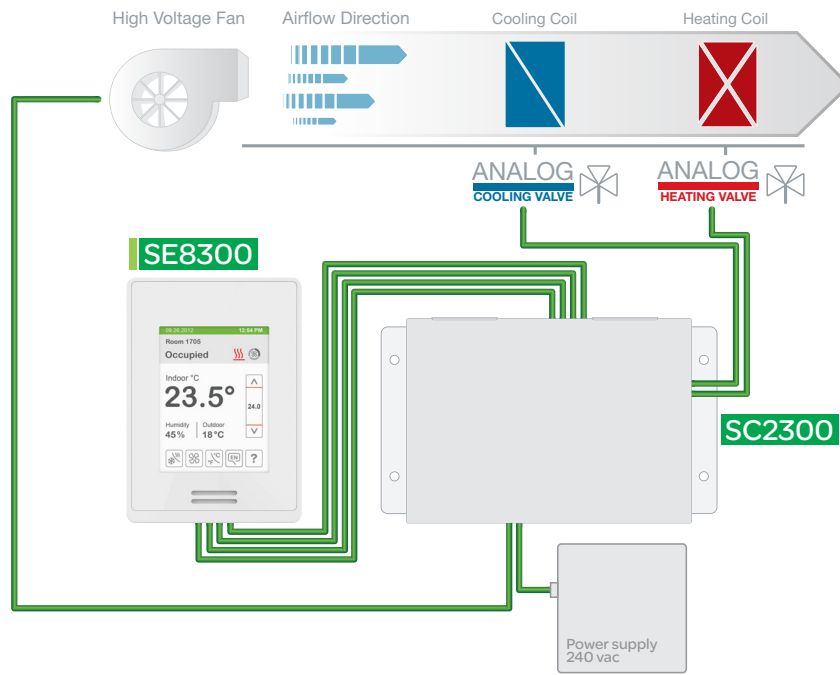
Dehumidification disabled if room temperature falls below low ambient lockout temperature, which is cooling setpoint minus configuration defined deadband value.

Reheat disabled if cooling demand reaches 100%.

Options

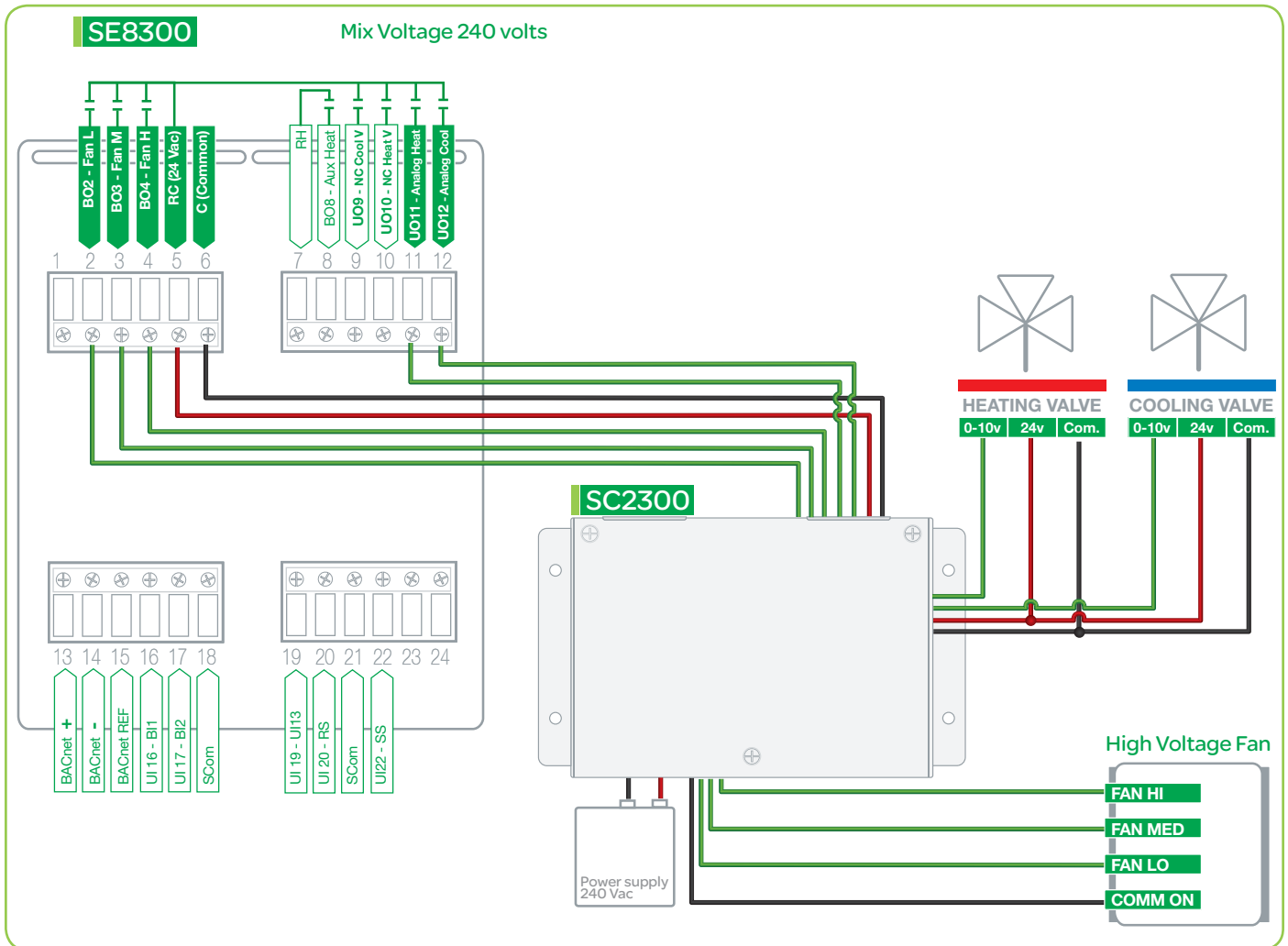
- Wireless adapter modules for BACnet models are available. (see Appendix B for network wiring).
- Remote wall mount or duct sensor ready.
- Can be configured for 2-pipe systems.
- 3 universal inputs can be used and configured for advanced functionality as required by the application.
- Universal input can be configured for changeover sensor.

SE8350UXBXX AND SC2300 240 VDC RELAY HEATING/COOLING 4-PIPE FAN COIL UNIT WITH HIGH VOLTAGE 3-SPEED FAN, AND 0-10 VDC ANALOG VALVES AND DEHUMIDIFICATION SEQUENCE FOR LOW VOLTAGE



Refer to Schneider Electric Catalog for valves and actuators

Configuration Parameter Name	Configuration Settings
Fan menu	L-M-H-A
Pipe no.	4
Seq. operation	Cool / Heat



Sequence of Operation and Wiring

Occupied Mode

Setpoints revert to those defined by occupied cooling and heating. The changeover sensor sends supply air temperature to controller.

Stand-by Mode (only available when PIR motion detector sensor is used)

Setpoints revert to those defined by stand-by cooling and heating.

Unoccupied Mode

Setpoints revert to those defined by unoccupied heating and cooling.

Occupied Override Mode

System reverts to occupied mode for duration determined by "ToccTime" parameter.

On Call for Cool

Cooling valve opens to maintain room temperature. Heating valve closes. Dehumidification enabled.

On Call for Heat

Heating valve opens to maintain room temperature. Cooling valve closes. Dehumidification disabled.

On Demand for Dehumidification

Dehumidification is achieved via cooling coil using heating coil for reheat if necessary. Dehumidification only allowed in COOL mode, or if cooling is enabled in AUTO mode.

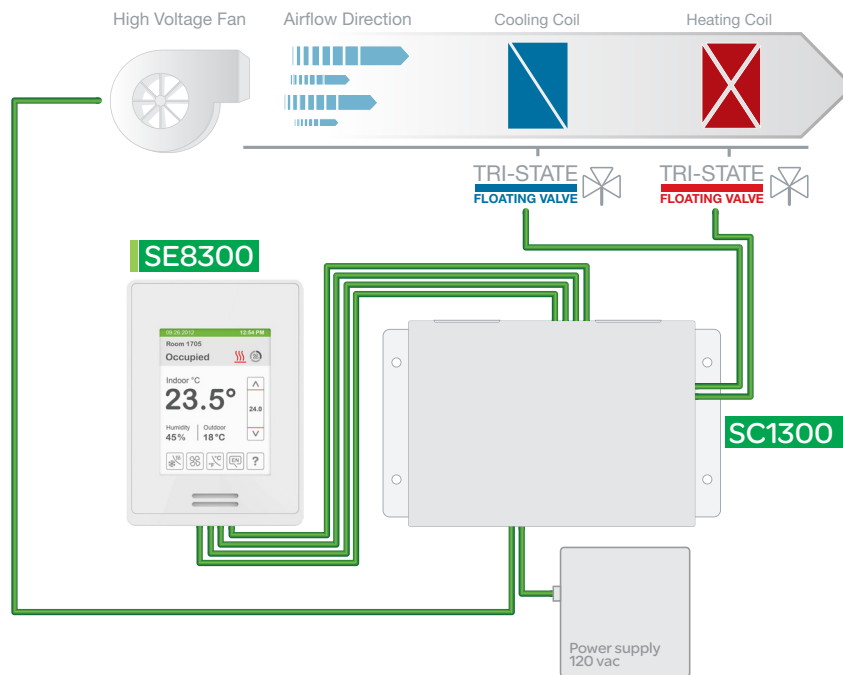
Dehumidification disabled if room temperature falls below low ambient lockout temperature, which is cooling setpoint minus configuration defined deadband value.

Reheat disabled if cooling demand reaches 100%.

Options

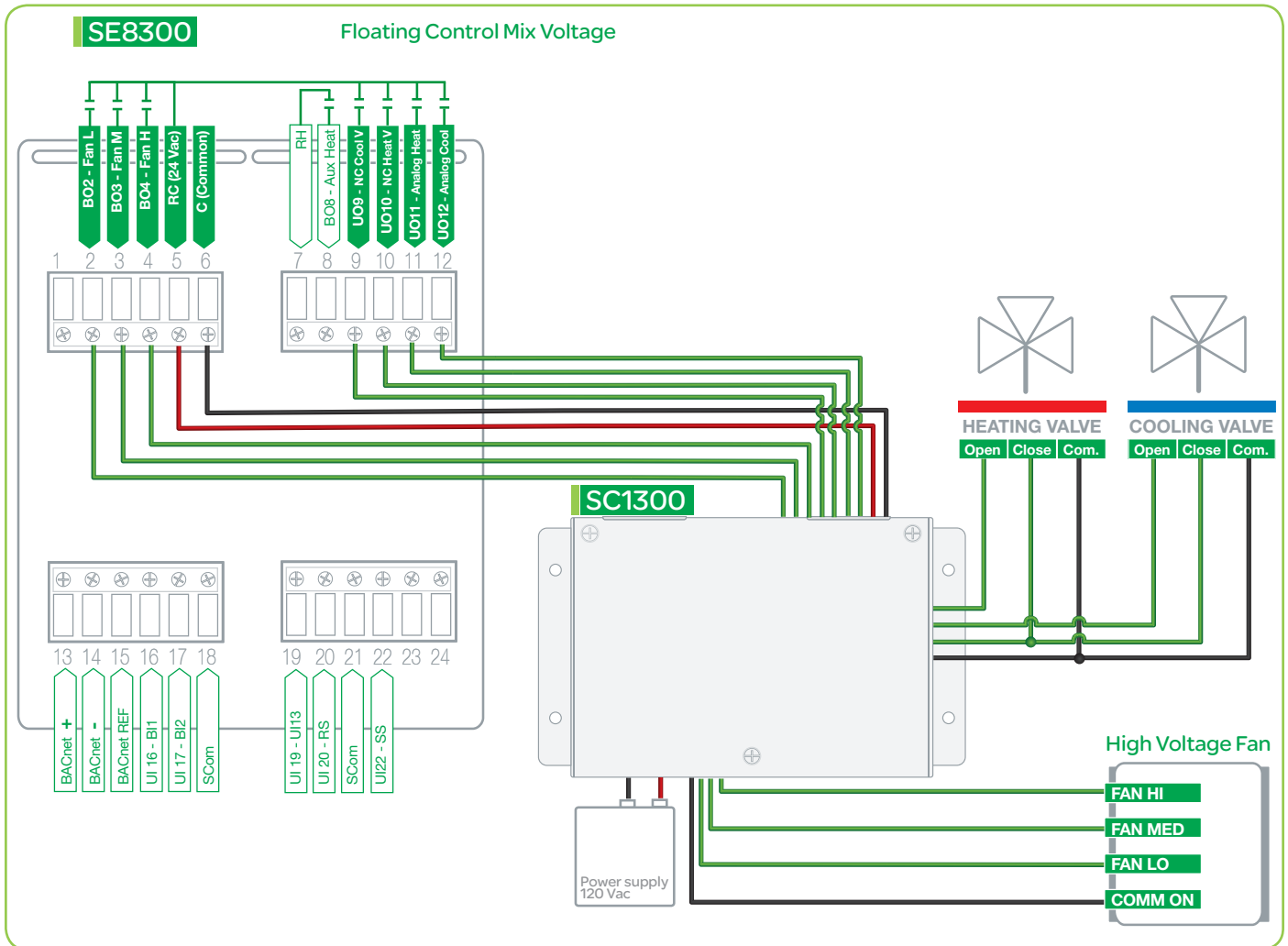
- Wireless adapter modules for BACnet models are available. (see Appendix B for network wiring).
- Remote wall mount or duct sensor ready.
- Can be configured for 2-pipe systems.
- 3 universal inputs can be used and configured for advanced functionality as required by the application.
- Universal input can be configured for changeover sensor.

SE8350UXBXX AND SC1300 120 VDC RELAY HEATING/COOLING 4-PIPE FAN COIL UNIT WITH HIGH VOLTAGE 3-SPEED FAN, TRI-STATE FLOATING VALVES AND DEHUMIDIFICATION SEQUENCE FOR LOW VOLTAGE



Refer to Schneider Electric Catalog for valves and actuators

Configuration Parameter Name	Configuration Settings
Fan menu	L-M-H-A
Control Type	Floating
Pipe no.	4
Seq. operation	Cool / Heat



Sequence of Operation and Wiring

Occupied Mode

Setpoints revert to those defined by occupied cooling and heating.

Stand-by Mode (only available when PIR motion detector sensor is used)

Setpoints revert to those defined by stand-by cooling and heating.

Unoccupied Mode

Setpoints revert to those defined by unoccupied heating and cooling.

Occupied Override Mode

System reverts to occupied mode for duration determined by "ToccTime" parameter.

On Call for Cool

Cooling valve opens to maintain room temperature. Heating valve closes.

On Call for Heat

Heating valve opens to maintain room temperature. Cooling valve closes.

On Demand for Dehumidification

Dehumidification is achieved via cooling coil using heating coil for reheat if necessary.

Dehumidification is only allowed in COOL mode, or if cooling is enabled in AUTO mode.

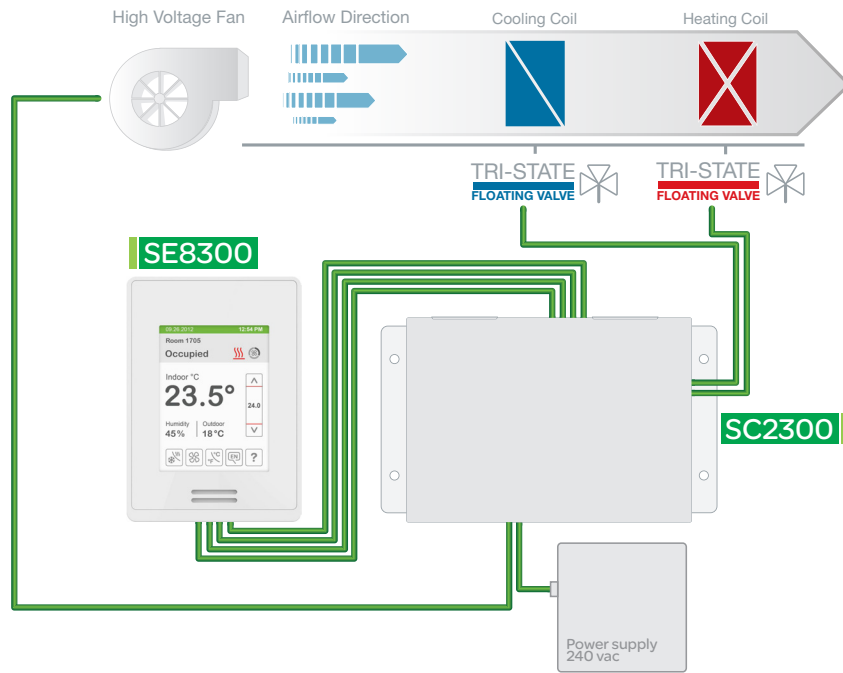
Dehumidification is disabled if room temperature falls below low ambient lockout temperature, which is the cooling setpoint minus the configuration defined deadband value.

Reheat disabled if cooling demand reaches 100%.

Options

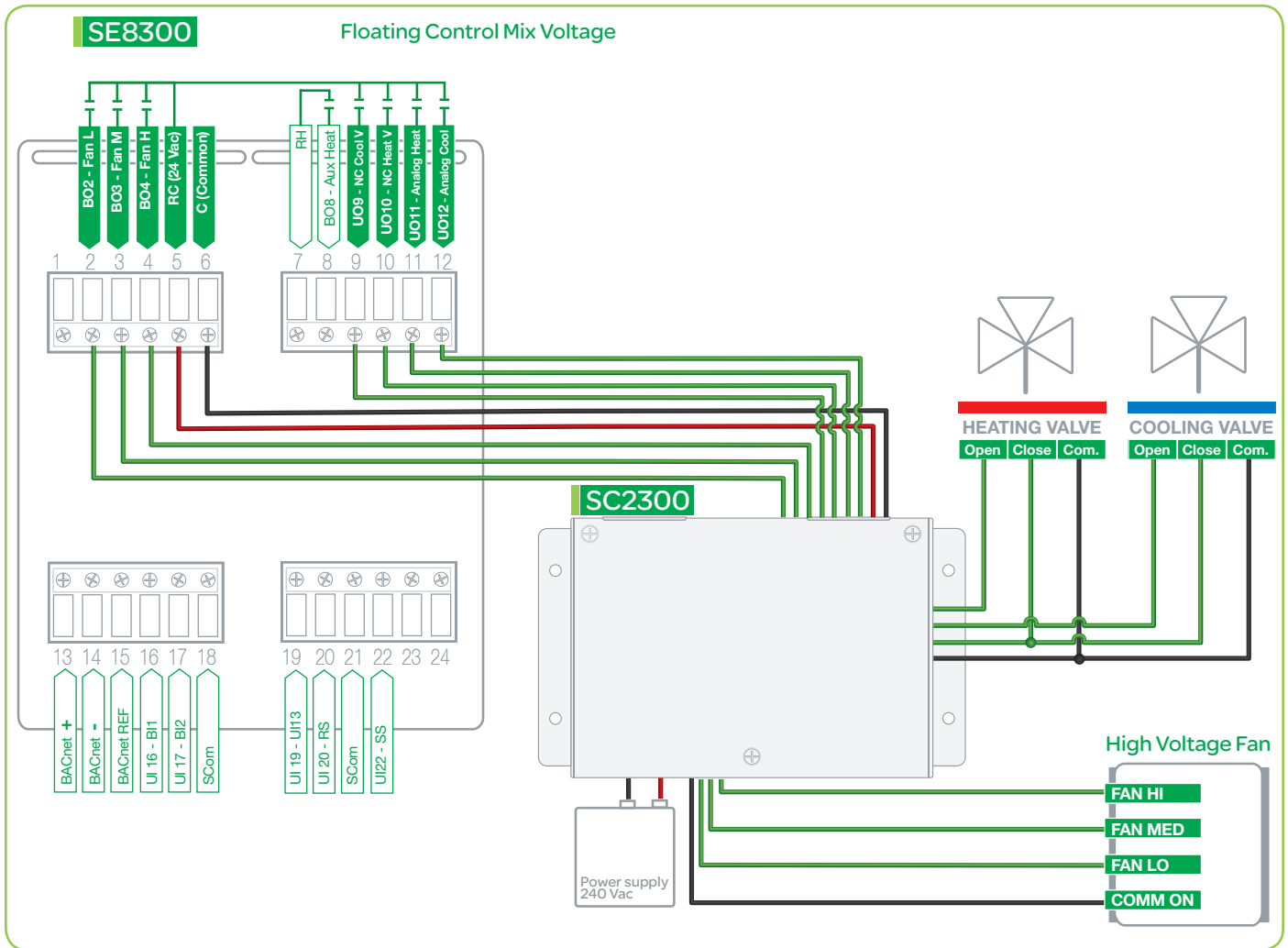
- Wireless adapter modules for BACnet models are available. (see Appendix B for network wiring).
- Remote wall mount or duct sensor ready.
- Can be configured for 2-pipe systems with changeover.
- 3 universal inputs can be used and configured for advanced functionality as required by the application.
- Universal input can be configured for changeover sensor.

SE8350UXBXX AND SC2300 240 VDC RELAY HEATING/COOLING 4-PIPE FAN COIL UNIT WITH HIGH VOLTAGE 3-SPEED FAN, TRI-STATE FLOATING VALVES AND DEHUMIDIFICATION SEQUENCE FOR LOW VOLTAGE



Refer to Schneider Electric Catalog for valves and actuators

Configuration Parameter Name	Configuration Settings
Fan menu	L-M-H-A
Control Type	Floating
Pipe no.	4
Seq. operation	Cool / Heat



Sequence of Operation and Wiring

Occupied Mode

Setpoints revert to those defined by occupied cooling and heating.

Stand-by Mode (only available when PIR motion detector sensor is used)

Setpoints revert to those defined by stand-by cooling and heating.

Unoccupied Mode

Setpoints revert to those defined by unoccupied heating and cooling.

Occupied Override Mode

System reverts to occupied mode for duration determined by "ToccTime" parameter.

On Call for Cool

Cooling valve opens to maintain room temperature. Heating valve closes.

On Call for Heat

Heating valve opens to maintain room temperature. Cooling valve closes.

On Demand for Dehumidification

Dehumidification is achieved via cooling coil using heating coil for reheat if necessary.

Dehumidification is only allowed in COOL mode, or if cooling is enabled in AUTO mode.

Dehumidification is disabled if room temperature falls below low ambient lockout temperature, which is the cooling setpoint minus the configuration defined deadband value.

Reheat disabled if cooling demand reaches 100%.

Options

- Wireless adapter modules for BACnet models are available. (see Appendix B for network wiring).
- Remote wall mount or duct sensor ready.
- Can be configured for 2-pipe systems with changeover.
- 3 universal inputs can be used and configured for advanced functionality as required by the application.
- Universal input can be configured for changeover sensor.

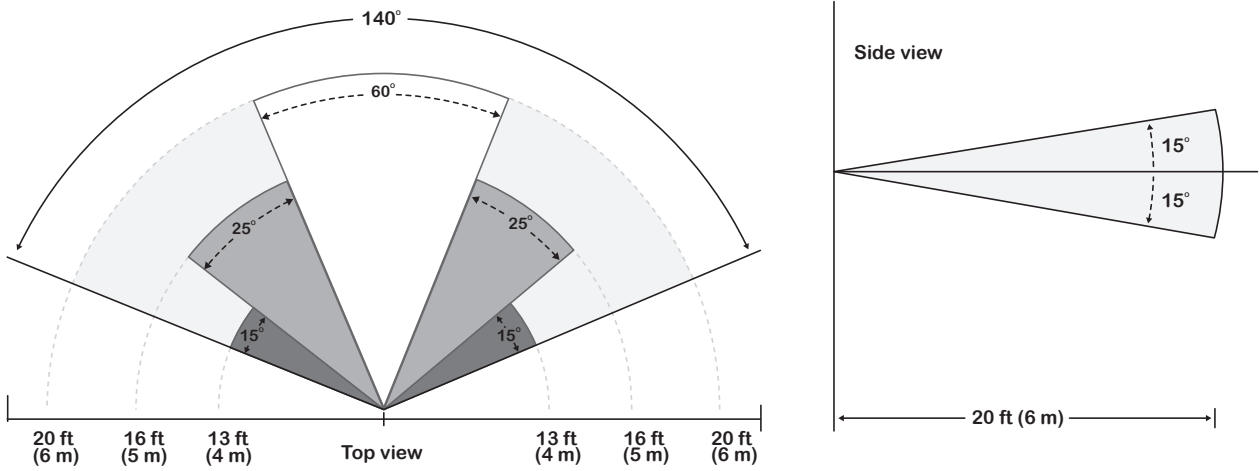
APPENDIX A - PASSIVE INFRA-RED SENSOR

Sequence of Operation

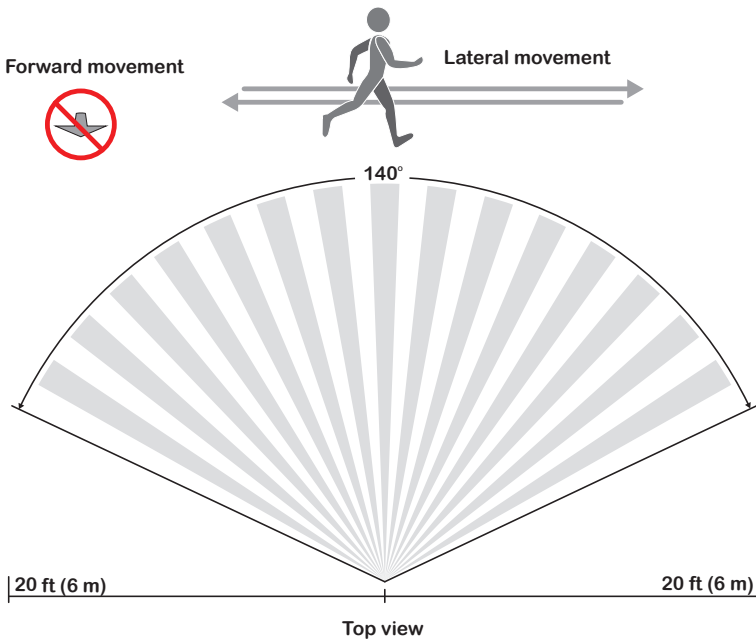
Initially, the Room Controller is in Stand-by mode and Stand-by setpoints are used. When the Passive Infra-Red (PIR) sensor detects motion, the Occupancy status switches to Occupied and the Stand-By Time timer is reset. The Occupied setpoints are used for this operation. If no motion is detected in the room for the entire Stand-By Time duration (adjustable parameter), the room switches to Stand-by mode and Stand-by setpoints are used. While in Stand-by mode, if no motion is detected for the entire Unoccupied Time period (adjustable parameter), the room switches to Unoccupied mode and uses its Unoccupied setpoints. While in Stand-By or Unoccupied mode, any motion switches the room back to Occupied mode.

PIR ranges measure 20 feet (6 meters) at 140° and 13 feet (4.5 meters) minimum between 15° to 30° laterally. A typical installation height of approximately 5 feet (1.5 meters) is considered in these measurements.

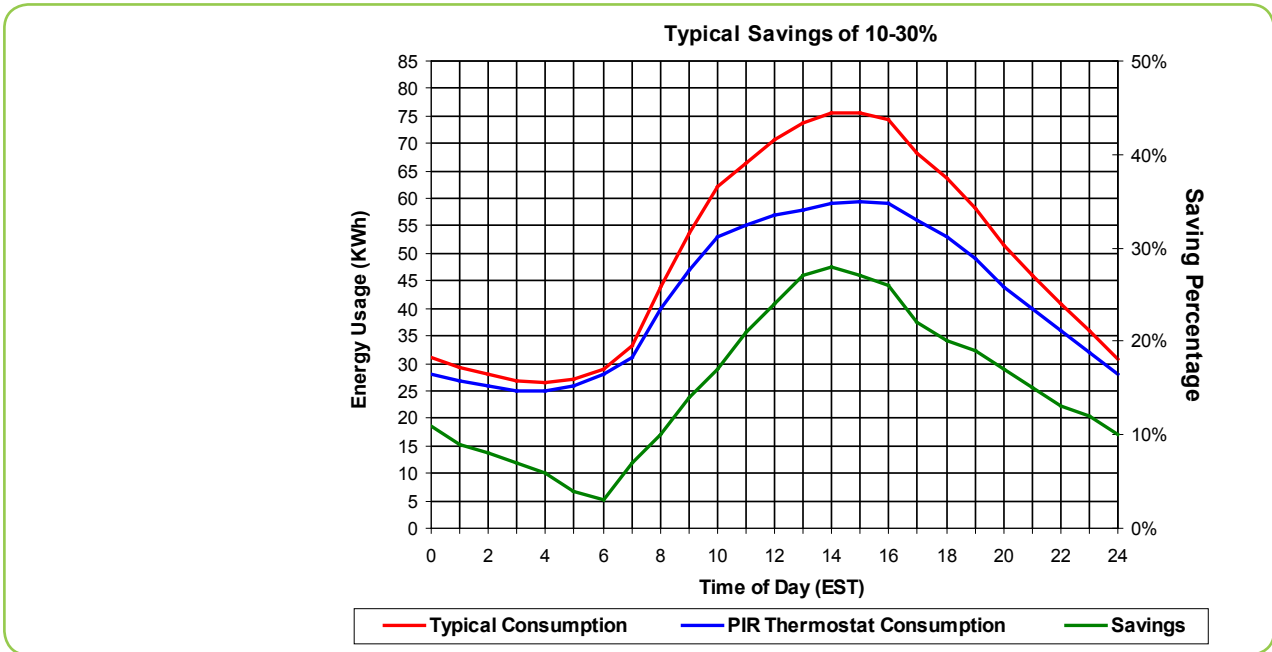
The below illustrates the resolution.



Fresnel lens beam and detection field



Energy Savings



Deployment

It is recommended to install the Room Controller as close to a door as possible (but not so as to be blocked by the door), or in an area with high occupant movement.

Ideally the Room Controller should be installed 5 feet (1.5 meters) above the floor surface to ensure maximum detection range is achieved. As well, Room Controller placement should ensure the occupant crosses the lens beam in a perpendicular path within the prescribed detection zone.

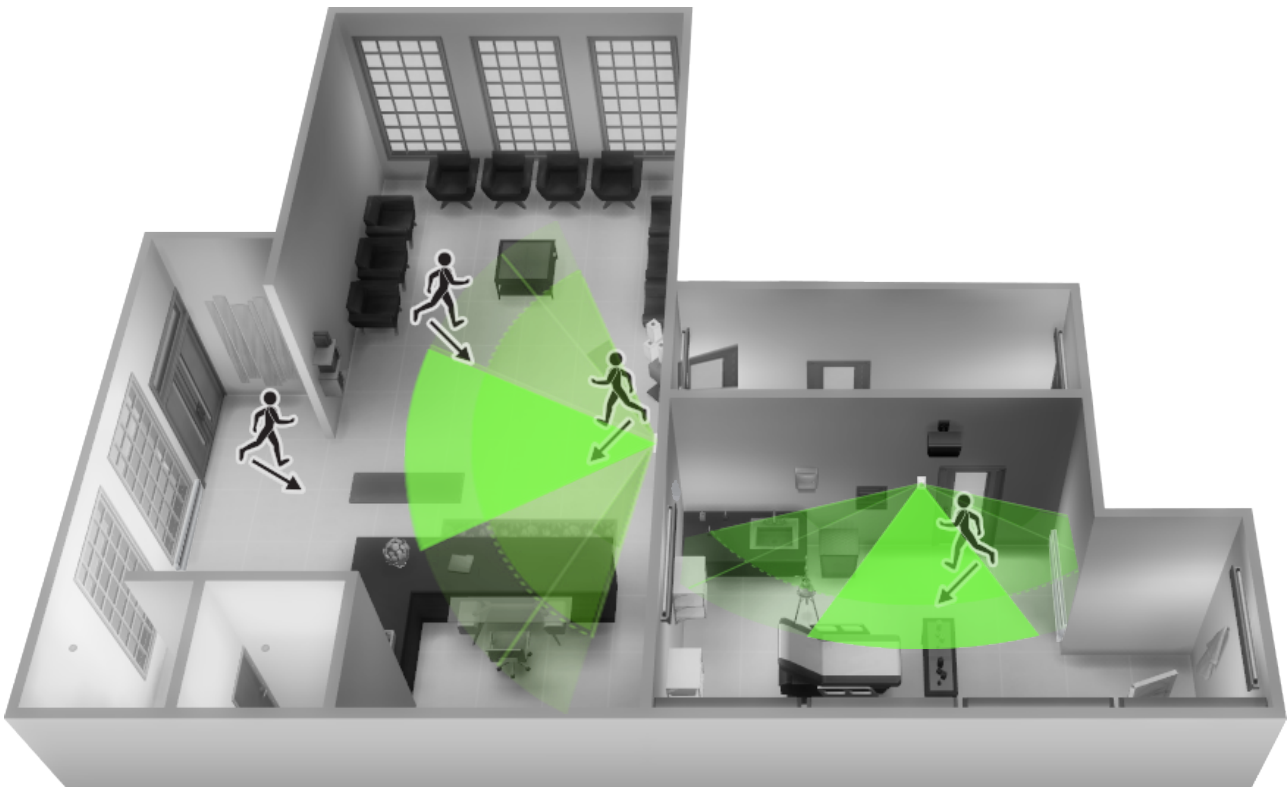
Example of Recommended Deployment

The below shows Room Controllers installed in ideal locations for two rooms.

The examination room shows one Room Controller installed adjacent to the door. In this area of the room, occupant traffic is high and ensures the occupant will almost always cross the PIR detection path laterally and within the detection range.

The waiting room shows one Room Controller installed beside a door in the middle of the room. As shown in the diagram below, occupant traffic is high in several areas of the room including the entrance, waiting room, access to the door and activity around the

reception desk. Moreover, for each case aforementioned, occupant movement almost always moves lateral to the PIR, which ensures detection by the PIR, as well as respecting the PIR detection range of 20 feet (6 meters) at 140°, and 16 feet (5 meters) between 15° to 30° laterally.



Recommended Installation

Example of Non-Recommended Deployment

The below shows four Room Controllers (two for each room) installed in non-ideal locations for the two rooms.

The examination room shows one Room Controller installed in a low traffic area near the door, and a second Room Controller installed on the wall directly opposite the door. For the Room Controller installed in the corner wall near the door, the PIR could be blocked by the opened door, thereby restricting PIR detection. For the second Room Controller installed opposite the door, the PIR detection could fall outside the specified detection zone, while at the same time most occupant movement may not respect lateral crossing patterns for PIR detection.

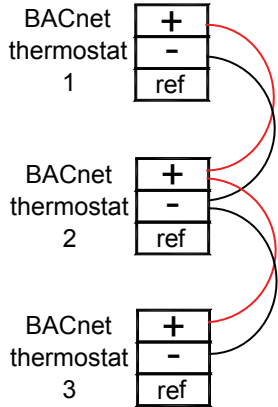
The waiting room shows one Room Controller installed near the entrance, and a second Room Controller installed beside the reception area. For the Room Controller installed at the entrance, the opening/closing of the door creates high probability the PIR would get blocked, and therefore, occupancy going undetected. For the Room Controller installed beside the reception area, occupant traffic could fall outside the detection zone, while the receptionist would often be below the 5 foot recommended installation height for the Room Controller.



Non-Recommended Installation

APPENDIX B - OPTIONAL NETWORK SET-UP

BACnet® Communication Wiring



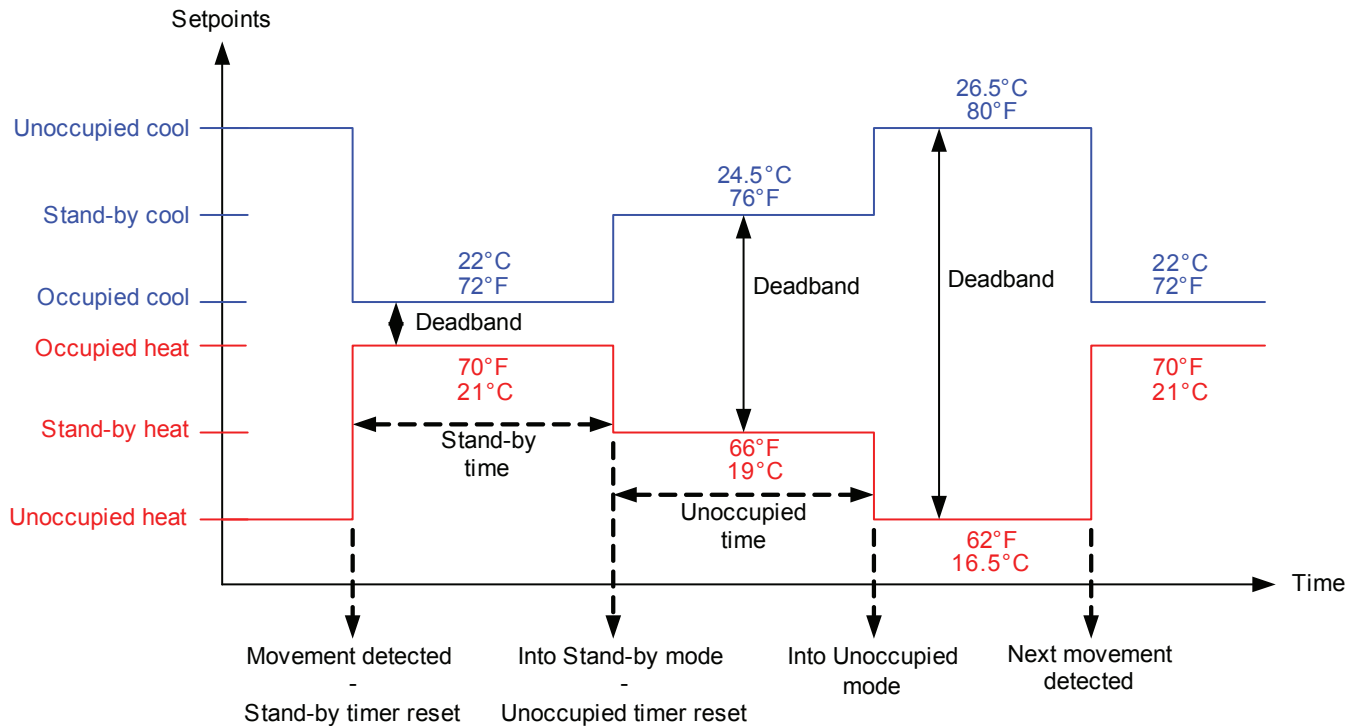
Notes:

- Wiring should be daisy chained
- Always respect polarity
- If using 2 conductors and shielded wires, connect shield of each feed together on back of Controller
- Only ground shield at one location. Do not connect shield to reference terminal

Wireless Communication



APPENDIX C - SCHEMATIC OF CONTROLLERS OCCUPANCY SEQUENCE OF OPERATION



APPENDIX D - SER8300 CONTROLLER AND SC3000 RELAY PACK

Product Overview

The SER8300 Fan Coil Controller offers a new cost-effective solution for upgrading line-voltage fan coil unit thermostats. The SER8300 terminal Equipment Fan Coil Unit Controllers are available as BACnet® MSTP or wireless ZigBee® Pro networked models.

No previous building automation training is required for installation and commissioning process, and installation can be completed in approximately fifteen minutes.

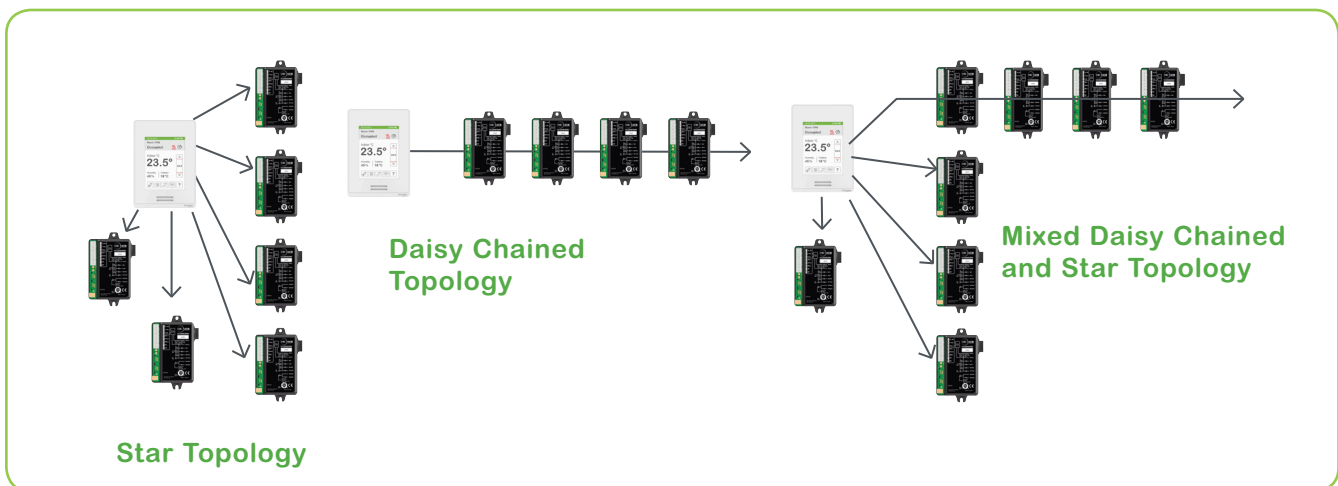
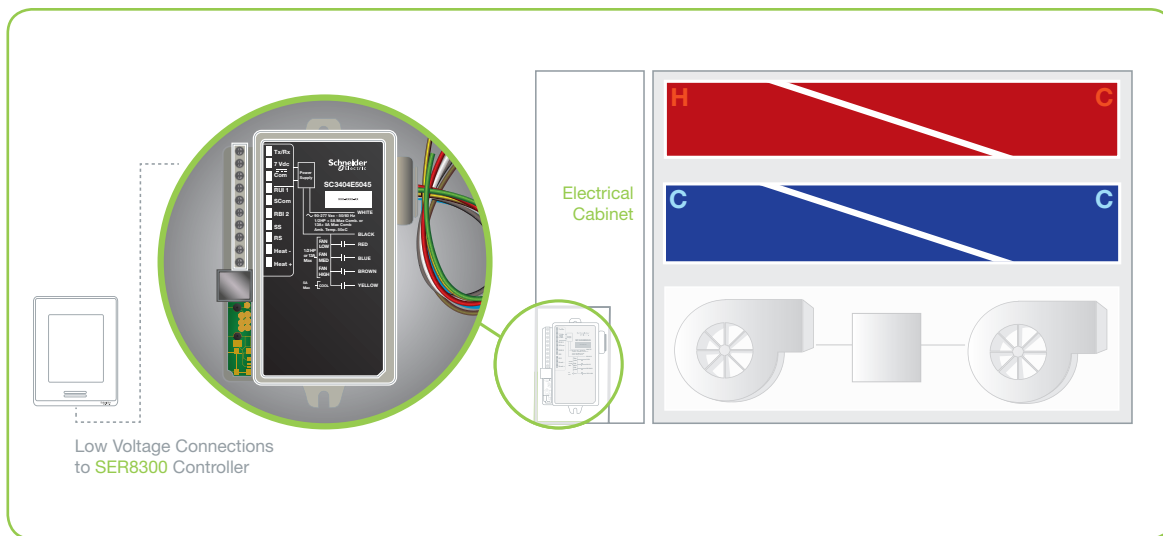
The SC3000 Series Line Voltage Switching Transformer Relay Pack Controllers are designed for silent control of typical high voltage fan coil device loads (90 - 277 VAC multi-voltages). It uses advanced microprocessor-based circuitry with a built-in transformer that eliminates all typical required peripheral components when automating a Fan Coil unit with traditional building automation systems.

The SC3000 Series Line Voltage Switching Transformer Relay Pack(s) operate as slave unit(s) under the control of a single master SER83XX Terminal Equipment Controller.

A single SER83XX Terminal Equipment Controller can control up to 10 x SC3000 Series Relay Packs as they are line-powered units.

The unit locally contains all relay outputs for fan switching and valve control, and models are also available for extra monitoring/control inputs of the Fan Coil Units.

Typical Fan Coil Unit Set-up



APPENDIX E - SED SERIES FOR WIRELESS DOOR AND WINDOW SWITCH

Wireless ZigBee® Pro Motion Sensors and Door/Window Switch

Wireless door switches used with an onboard or remote PIR sensor provide advanced local occupancy routines allowing for increased energy savings during occupied hours without sacrificing occupant comfort. Wireless window switches are used to monitor exterior windows or patio/balcony doors when opened to prevent unnecessary energy consumption.

Room Controllers with SED Series ZigBee® Pro wireless switches can be used in stand-alone mode, or with integration to a central management system, to allow for advanced functions such as central reservation and occupancy functions. Up to twenty SED-WIN or SED-DOR wireless switches can be used with a SER8300 or SE8300 Room Controller. Up to ten different ZigBee motion sensors and switches (SED-WMS, SED-CMS, or SED-WDS) can be used with a SER8300 or SE8300 Room Controller. Note that if a ZigBee wireless window switch is used, the SE8300 Room Controller cannot also use a remote PIR motion sensor, whether wired or wireless. Using one or more wireless remote PIR motion sensors means that a wired PIR motion sensor cannot be used, and vice versa.

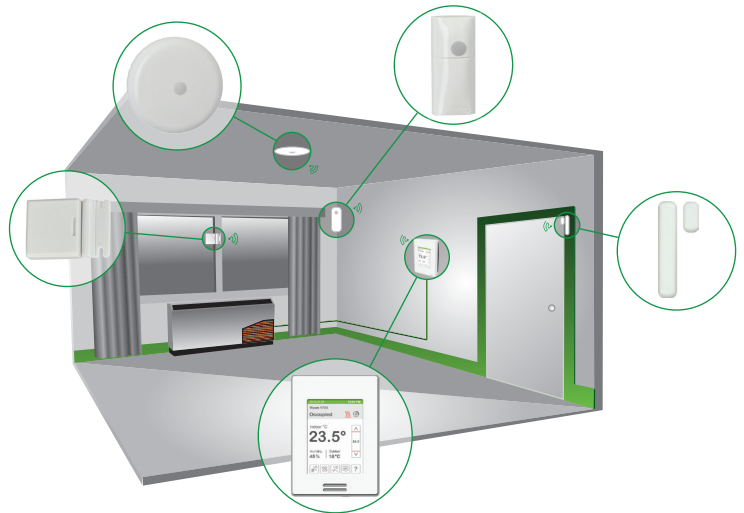
The SED Series sensors are factory delivered with batteries and are ready to be installed, configured, and used right out of the box. Due to the extremely small current consumption of the sensors, the expected battery life is approximately 10 years, which is equivalent to the battery shelf life.

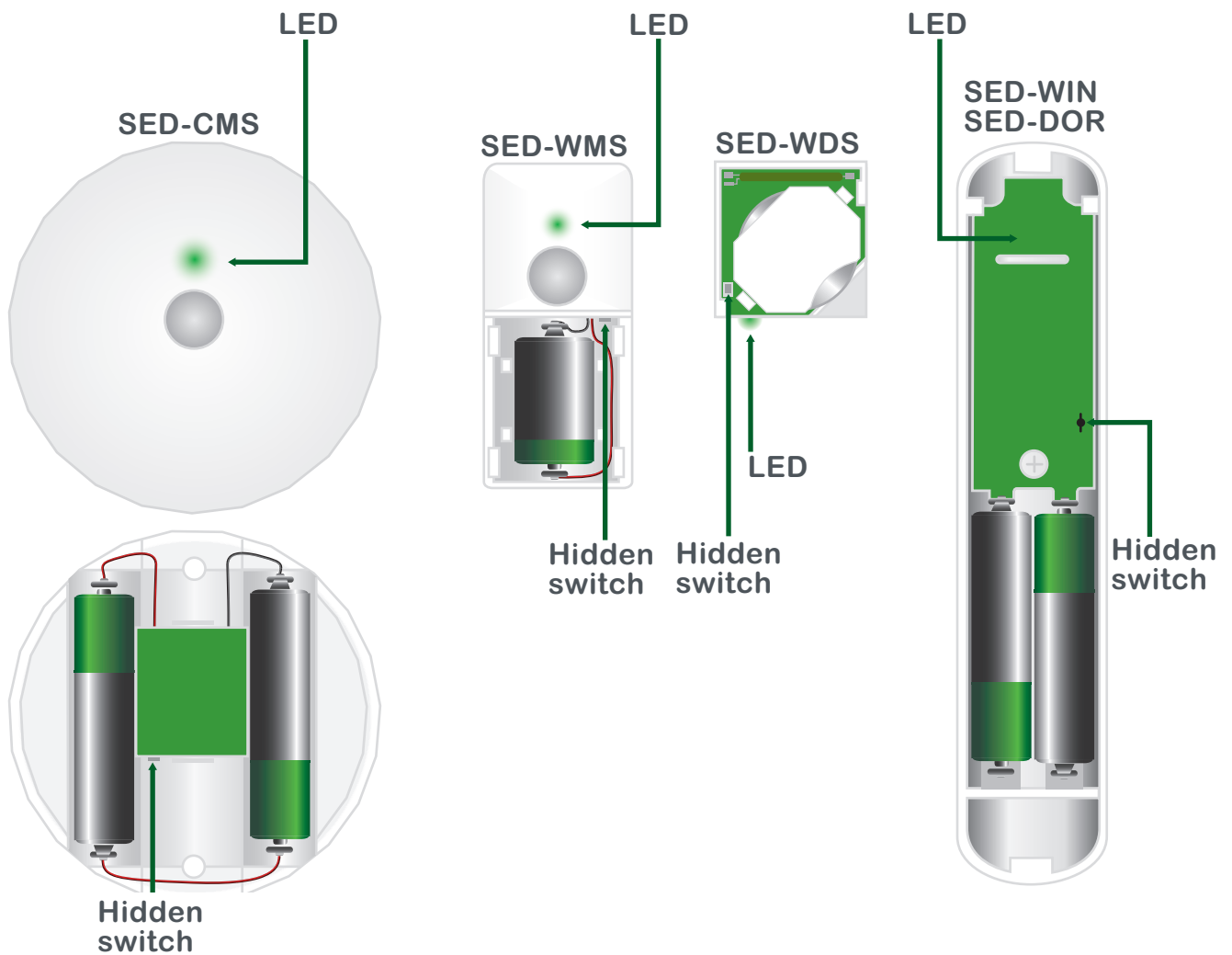
No tools are required for commissioning or servicing the ZigBee devices. A simple interface on the devices with an on-board LED and hidden switch provides all required functions for local interaction. The SE8300 user interface has screens used to pair and configure ZigBee devices (SED-WMS, SED-CMS, or SED-WDS only). Local information for battery life and connectivity (heartbeat) are also displayed through the ZigBee® Pro wireless network.

For more information about using the SED-WIN and SED-DOR switches, consult the **SED-WIN / SED-DOR Wireless Door and Window Switch Installation Guide**. For more information about using the SED-WDS, SED-WMS and SED-CMS wireless switches and sensors, consult the **Pairing SE8000 Series Room Controllers with ZigBee Sensors Installation Guide and Procedure**.

Model Selection

Window Switch	Door Switch
Door switch	SED-DOR-P-5045
Window switch	SED-WIN-P-5045
Door/window switch	SED-WDS-P-5045
Wall mounted motion sensor	SED-WMS-P-5045
Ceiling mounted motion sensor	SED-CMS-P-5045





APPENDIX F: TERMINAL CORRESPONDENCE

The terminals of an SE8300 are identified differently and have a wider range of possible functions compared to those of any of the SE7000 series Room Controllers. Nonetheless, there is a direct correspondence of functions between the terminals of the SE7000 series and the SE8300 series. Consult the table below to verify the appropriate terminal when replacing a SE7000 Room Controller with a SE8300 Room Controller.

SE7000		SE8300	
Terminal name	Terminal ID	Terminal name	Terminal ID
Binary Input 1	BI1	Universal Input 16	UI16
Binary Input 2	BI2	Universal Input 17	UI17
Universal Input 3	UI3	Universal Input 19	UI19
Sensor Common	Scom	Terminal 18 Common	COM
Remote Sensor	RS	Universal Input 20	UI20 - RS
Sensor Common	Scom	Terminal 21 Common	COM
Mix/Supply Sensor	MS	Universal Input 22	UI22 - SS