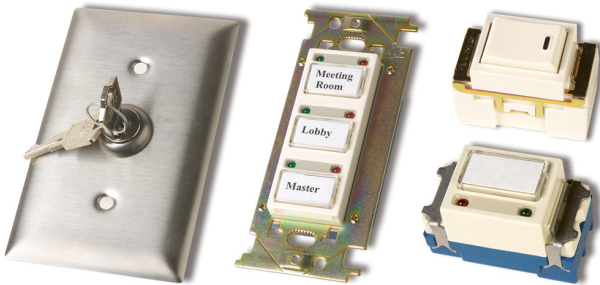


# Lighting Control Relay Switches

The Schneider Electric Lighting Control Relay Switches provide manual ON/OFF operation of lighting in zones. The switches are equipped with a switch based device using reversible polarity pulse technology. The switches are fully compatible with Lighting Control Relay Panels by Schneider Electric.

Manual ON/OFF is the most common override operation. Each switch provides ON/OFF action for individual relays or groups of relays (zones).

## > Features



Schneider Electric Relay Switches (L-R: SERPKWS, SERPWS, (top) SERPRWS, (bottom) SERPWS)

### Key Switch (SERPKWS)

- Wall mountable to any standard wall box
- Key operated (ON – turn right; OFF – turn left)
- Operates up to 4 relays per switch
- 6 switches per relay

### Rocker Switch (SERPRWS)

- Wall mountable to any standard wall box (1-gang requires mounting bracket (SERPWSMB))
- LED ON/OFF indication
- Operates up to 8 relays per switch
- 6 LED switches per relay
- Optional filler plate (SERPWSFP)

### Push Button Switch (SERPWS)

- Wall mountable to any standard wall box (1-gang requires mounting bracket SERPWSMB; 3-gang comes ready to mount)
- LED ON/OFF indication
- Clear plastic labeling cap
- Operates up to 4 relays per switch
- 6 LED switches per relay
- Optional filler plate (SERPWSFP)

### Push Button Switch (SERPWS)

- Factory Assembled
- Includes mounting bracket, switch(es), cover plate
- LED ON/OFF indication
- Clear plastic labeling cap
- Operates up to 4 relays per switch
- 6 LED switches per relay

★ Visit [www.schneider-electric.us](http://www.schneider-electric.us)

Make the most of your energy <sup>SM</sup>

Specifications

Key Switch (SERPKWS)

Input/Output	3 Amp, 24VDC, Reversible polarity Impulse
Relays per switch	4
Switches per Relay	6 LED Switches
Operation (Turn key)	Right/ON, Left/OFF

Pushbutton Switch (SERPWSxxxx)

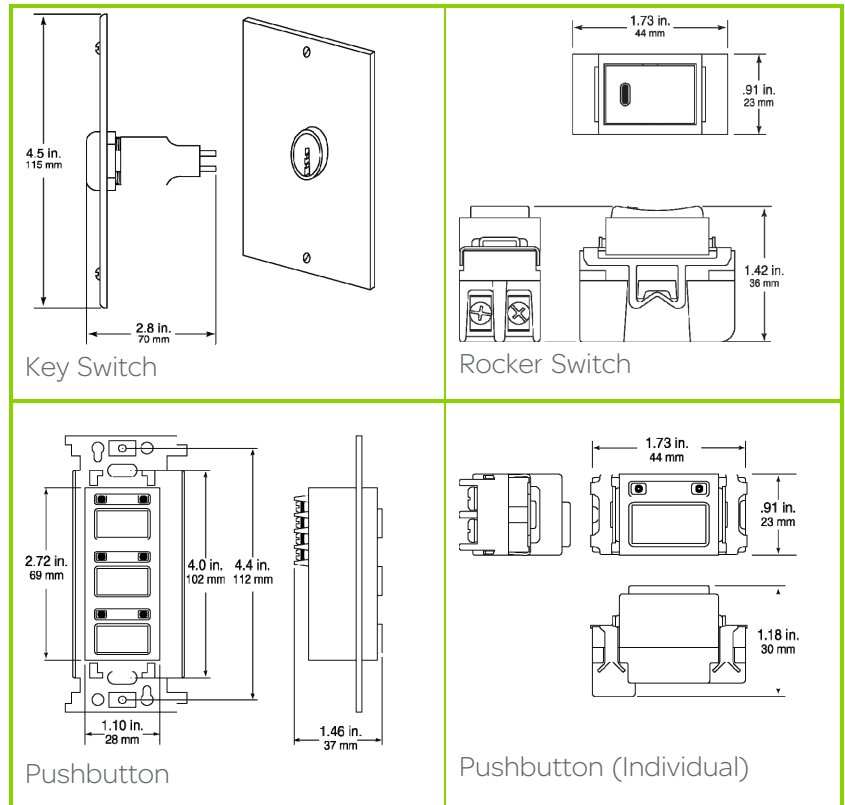
Input/Output	1.5 Amp, 24VDC, Reversible polarity Impulse Switch input from common terminal
Relays per switch	4
Switches per Relay	6 LED Switches
Operation (Turn key)	Press/ON, Press again/OFF

Rocker Switch (SERPRWS)

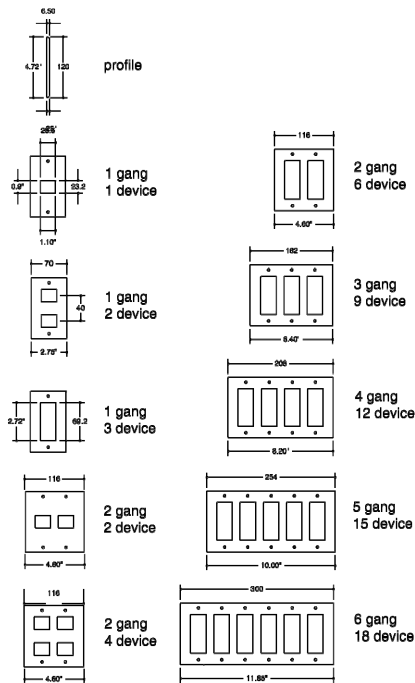
Input/Output	3 Amp, 24VDC, Reversible polarity Impulse
Relays per switch	8
Switches per Relay	6 LED Switches
Operation	Press one side ON; press other side OFF

All switches: use 18-24 AWG solid or stranded wire for Class 2 wiring connections.

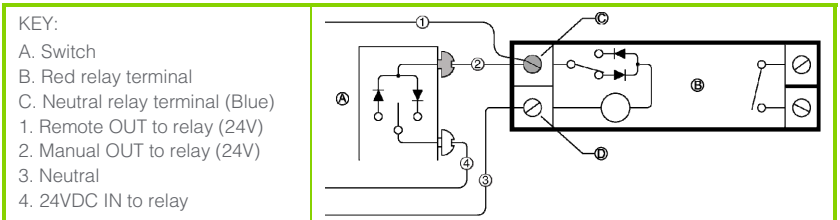
➤ Dimensions



Cover Plate Dimensions



➤ Typical Wiring Diagram



➤ Ordering Information

Switch type	Cat. no.	Description
Key switch	SERKWS	Wall mounted momentary contact relay key switch
Rocker switch	SERPRWS	Wall mounted rocker-type relay switch
Push button switch*	SERPWS	Single all mounted, LED-indicating, pushbutton relay switch.
Push button switch**	SERPWSxGyB	Single or multi-gang, single or multi-device wall mounted pushbutton relay switches with LEDs.
Mounting bracket	SERPWSMB	Used to mount single pushbutton or rocker switches
Filler plate	SERPWSFP	Used to fill blank positions in a wall bracket
Cover plate	SERPWPxGyB	Brushed metal; for use with pushbutton and rocker-type switches only.

\*Requires mounting and cover plates. May require filler plates.

\*\*Finished assembly; mounting bracket and cover plate included.

x = the number of ganged switches. y = the number of button/switches.

**Schneider Electric USA, Inc.**  
 320 Tech Park Drive, Suite 100  
 La Vergne, TN, 37086  
 1-888-778-2733  
 www.schneider-electric.us

Schneider Electric and logo and "Make the most of your energy" are trademarks or registered trademarks of Schneider Electric and/or its affiliates in the United States and/or other countries. Other trademarks used herein are the property of their respective owners.