

SpaceLogic™ RS-B-24H

Server

Safety Information

Electrical equipment should be installed, operated, serviced, and maintained only by qualified personnel. No responsibility is assumed by Schneider Electric for any consequences arising out of the use of this material. Carefully read these instructions and all information relevant for this product before trying to install it. See the list of technical literature.

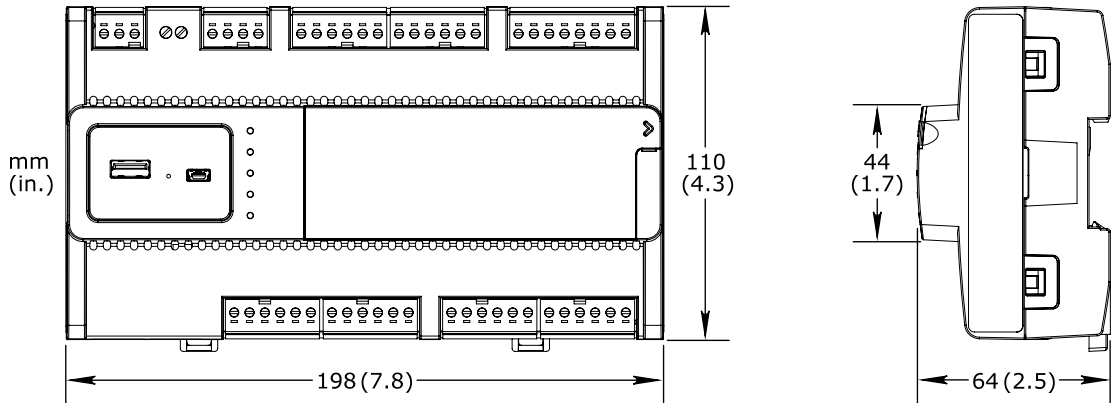
Technical Literature

- SpaceLogic Ready-Server Reference Guide, 04-XX051-XX-en

The technical literature and declarations of conformity can be accessed on the Schneider Electric product web page, www.go2se.com/ref=SXWRSB24H10001, using the QR code below. Contact your local Schneider Electric sales office for a hard copy of the documentation or for additional information.



Dimensions



Installing the Device

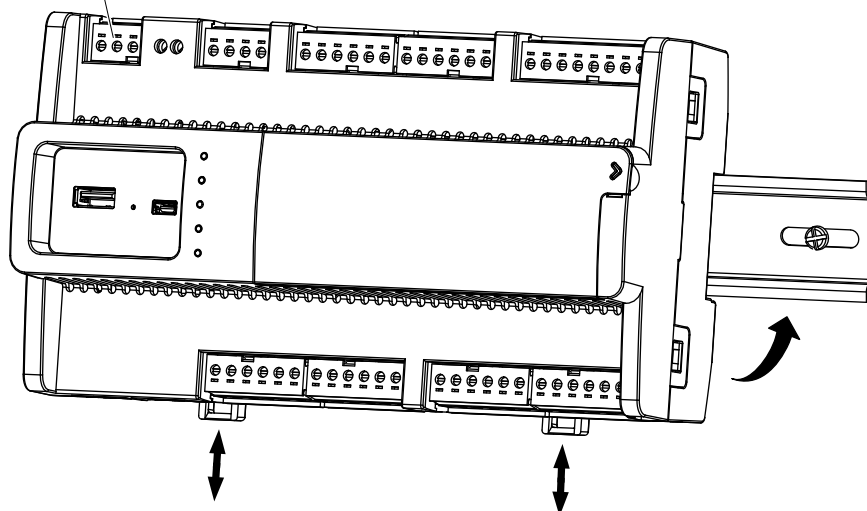
NOTICE

REDUCED DEVICE LIFE SPAN

Install the device on a horizontal DIN rail to provide sufficient cooling air flow through the device.

Failure to follow these instructions can result in reduced life span of the device.

Spare terminal blocks can be ordered using the part number SXWASBCON10001.



Installing a Terminal Block

⚠️ ⚠️ WARNING

HAZARD OF ELECTRIC SHOCK OR DEVICE ELECTRONICS DAMAGE

Install only a wired terminal block that matches the labeling of the terminals on the device.

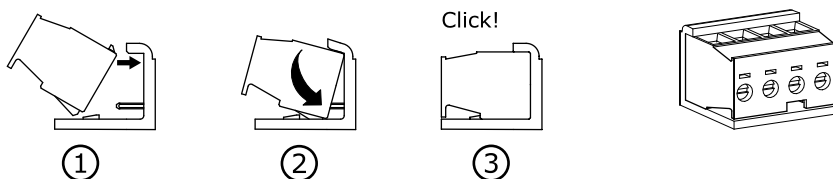
Failure to follow these instructions can result in death, serious injury, or equipment damage.

NOTICE

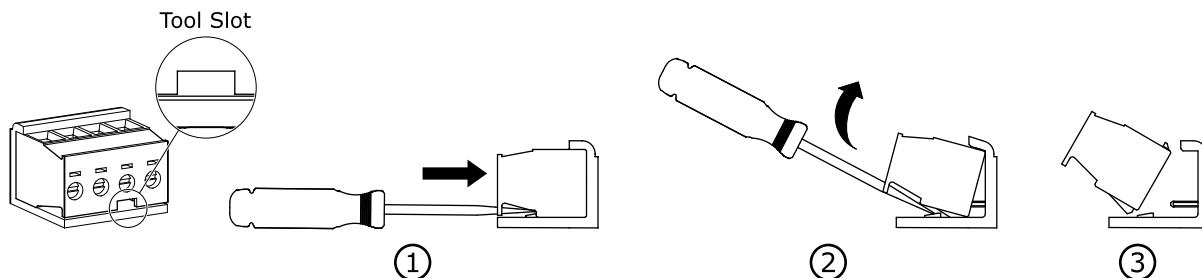
EQUIPMENT DAMAGE

- Use only terminal blocks delivered with the device or ordered from Schneider Electric using the part number SXWASBCON10001.
- Do not push the terminal block straight down into the connector header as this may crack the header.

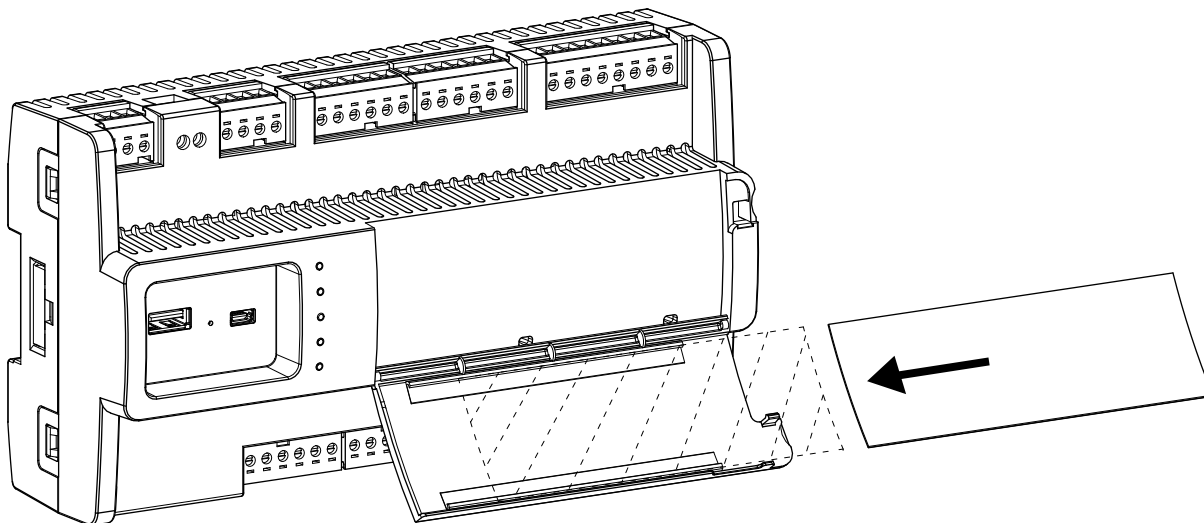
Failure to follow these instructions can result in equipment damage.



Removing a Terminal Block



Labeling the Device



Connections

⚠️ ⚠️ DANGER

HAZARD OF ELECTRIC SHOCK, EXPLOSION, OR ARC FLASH

Disconnect the power supply and other high voltage equipment before wiring.

Failure to follow these instructions will result in death or serious injury.

Connections, continued

NOTICE

EQUIPMENT DAMAGE

Do not connect 230 VAC or 110 VAC to any terminal.

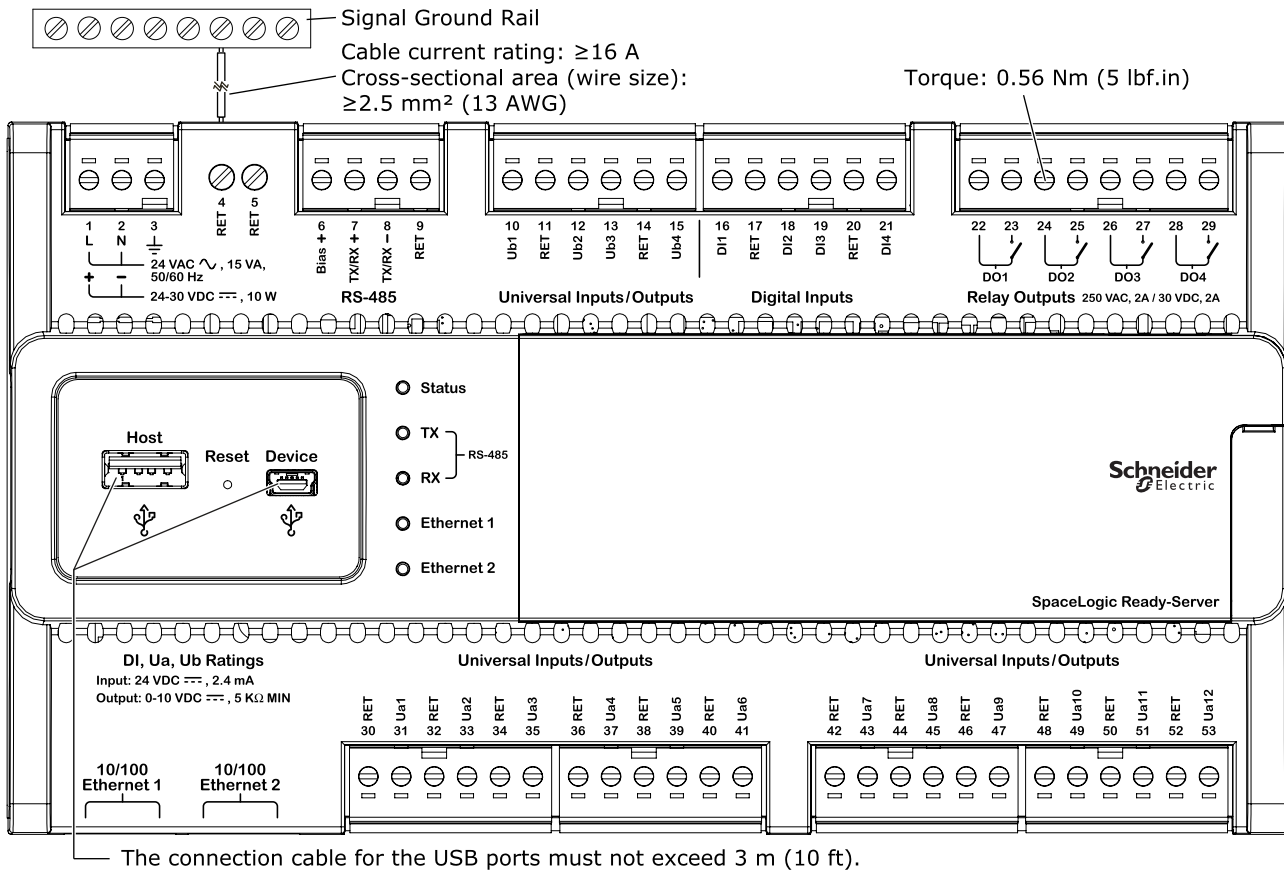
Failure to follow these instructions can result in equipment damage.

NOTICE

DECREASED RS-485 NETWORK PERFORMANCE

Consider the RS-485 bus termination and biasing. For more information, see the SpaceLogic Ready-Server Reference Guide.

Failure to follow these instructions can result in decreased performance and reliability of the RS-485 network.



Wiring

For information on wiring, see the SpaceLogic Ready-Server Reference Guide.

Recommended screw tightening torque: 0.56 Nm (5 lbf.in)

Ready-Server Software

The Ready-Server (RS-B-24H) is delivered without software. Use the Ready-Server Configuration Wizard to download and install the firmware and server software.

Software License Notice

This product contains code that is covered by the GNU General Public License (GPL). The relevant code is available on the Schneider Electric extranet, ecoxpert.se.com

Part Numbers

Product	Part number
RS-B-24H (with override display)	SXWRSB24H10001

Part Numbers – Accessories

Product	Part number
Connector kit (spare terminal blocks)	SXWASBCON10001
Installer kit (enclosure without electronics inside)	SXWASBINS10001

Specifications

AC input Nominal voltage 24 VAC \sim 50/60 Hz Recommended transformer rating ≥15 VA DC input Nominal voltage 24 to 30 VDC --- Power consumption 10 W Port types USB device port Mini-B USB host port Type-A Ethernet port 1 and 2 10/100BASE-TX RJ45 Operation environment Ambient temperature, operating 0 to 50 °C (32 to 122 °F)	Humidity Maximum 95 % RH non-condensing Mechanical Ingress protection rating IP 20 Plastic flame rating UL94-5VB IP networking IP address assignment methods Static, DHCP (default), Auto-IP (address range 169.254.0.1 to 169.254.255.254, subnet mask 255.255.0.0) Ua – Universal I/O Input rating 24 VDC --- , 2.4 mA Output rating 0 to 10 VDC --- , 5 kohm (min.) Channels 12	Ub – Universal I/O Input rating 24 VDC --- , 2.4 mA Output rating 0 to 10 VDC --- , 5 kohm (min.) Channels 4 DO – Relay outputs Relay contact rating 250 VAC \sim / 30 VDC --- , 2 A Pilot Duty (C300) Channels 4 DI – Digital inputs Input rating 24 VDC --- , 2.4 mA Channels 4
---	--	--

Addendum - California Proposition 65 Warning Statement for California Residents

⚠ WARNING: This product can expose you to chemicals including lead which is known to the State of California to cause cancer and which is known to the State of California to cause birth defects or other reproductive harm. For more information go to www.P65Warnings.ca.gov

部件名称 (Part Name)	有害物质 (Hazardous Substances)					
	铅 (Pb)	汞 (Hg)	镉 (Cd)	六价铬 (Cr (VI))	多溴联苯 (PBB)	多溴二苯醚 (PBDE)
塑料部件 (Plastic Parts)	○	○	○	○	○	○
电子件 (Electronics)	X	○	○	○	○	○

本表格依据 SJ/T11364 的规定编制。(This table is made according to SJ/T 11364.)

○: 表示该有害物质在该部件所有均质材料中的含量均在 GB/T 26572 规定的限量要求以下。
(Indicates that the concentration of hazardous substance in all of the homogeneous materials for this part is below the limit as stipulated in GB/T 26572.)

X: 表示该有害物质至少在该部件的某一均质材料中的含量超出 GB/T 26572 规定的限量要求。
(Indicates that the concentration of hazardous substance in at least one of the homogeneous materials used for this part is above the limit as stipulated in GB/T 26572.)

