

RP-C-12A, -12B, and -12C Models

SmartX IP Controller

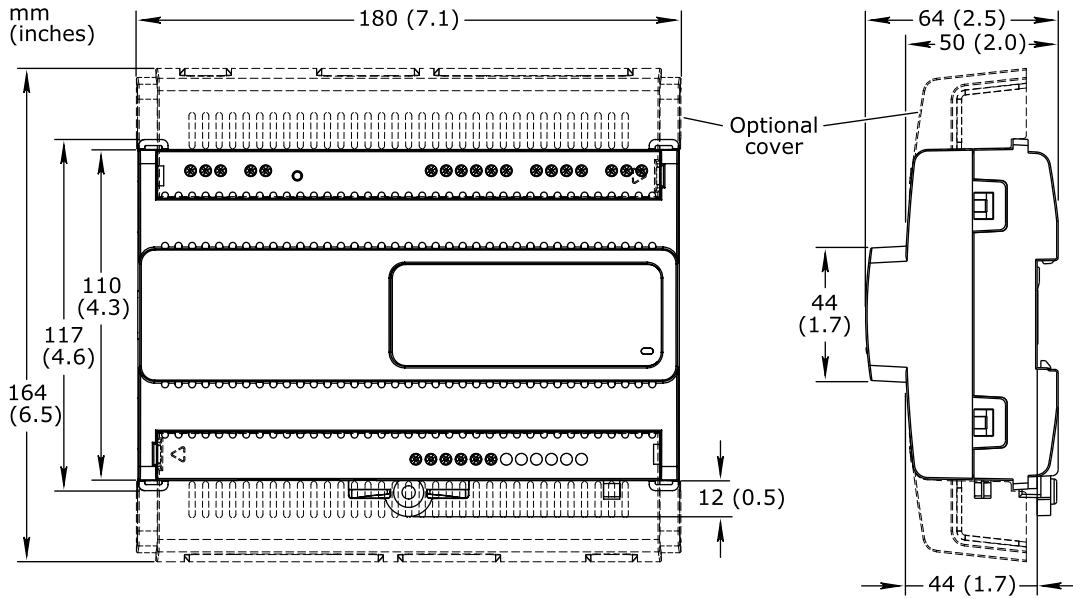
Regulatory Compliance and Safety Information

Electrical equipment should be installed, operated, serviced, and maintained only by qualified personnel. No responsibility is assumed by Schneider Electric for any consequences arising out of the use of this material. Read these instructions and all information relevant for this product carefully before trying to install it. See the list of technical literature. The technical literature and declarations of conformity can be accessed on the Schneider Electric Exchange website, ecobuilding.schneider-electric.com. Contact your local Schneider Electric sales office for hard copy of documentation or for additional information.

Technical Literature

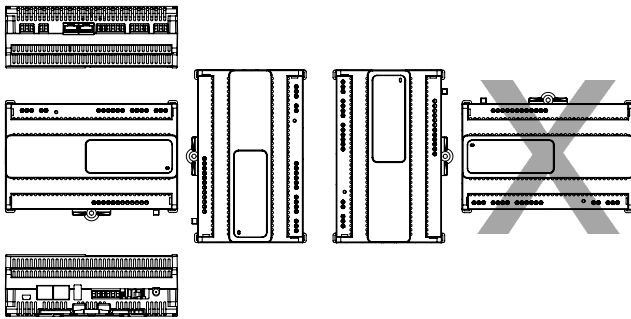
- SmartX Controller - Hardware Reference Guide, 04-XX001-XX-en

Dimensions

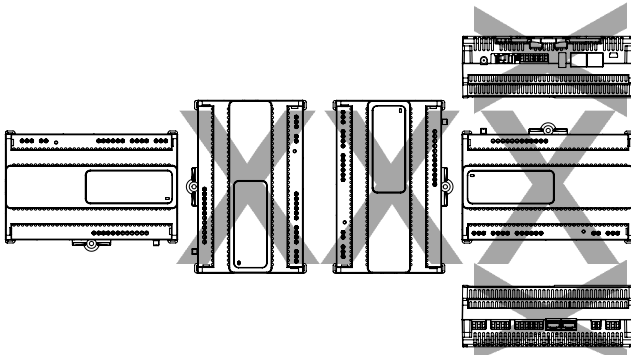


Installation Orientation Restrictions

Normal operation, 0 to 50 °C (32 to 122 °F):



Rooftop application, -40 to +60 °C (-40 to +140 °F):



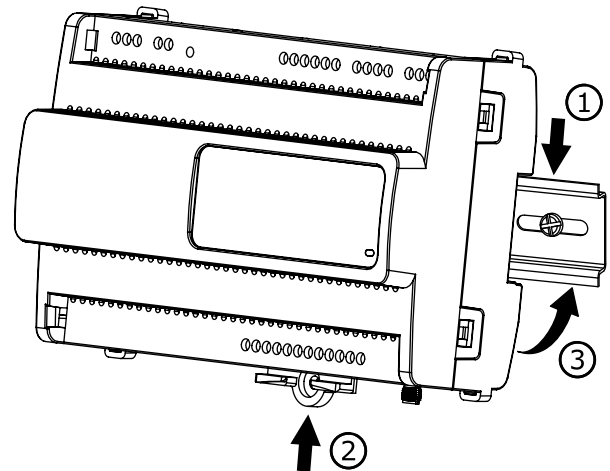
Installing the Device on a DIN Rail

NOTICE

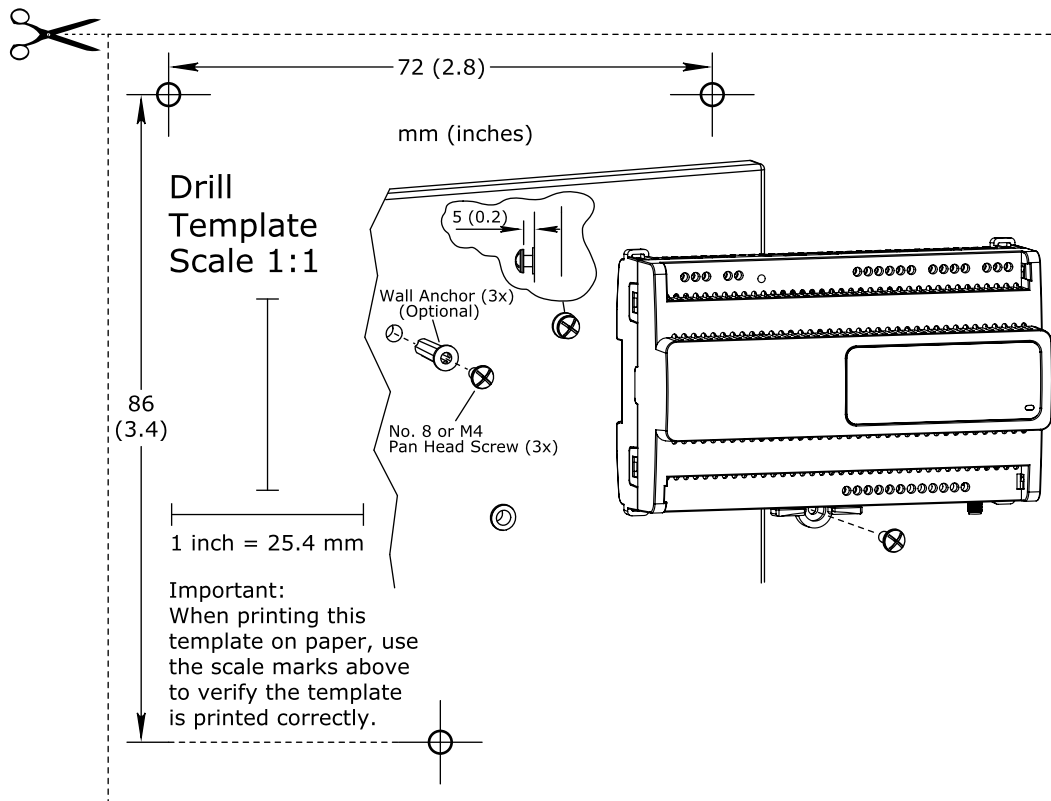
CONTROLLER DAMAGE

Use the DIN rail end clip when you install the controller on a vertical DIN rail.

Failure to follow these instructions can result in equipment damage.

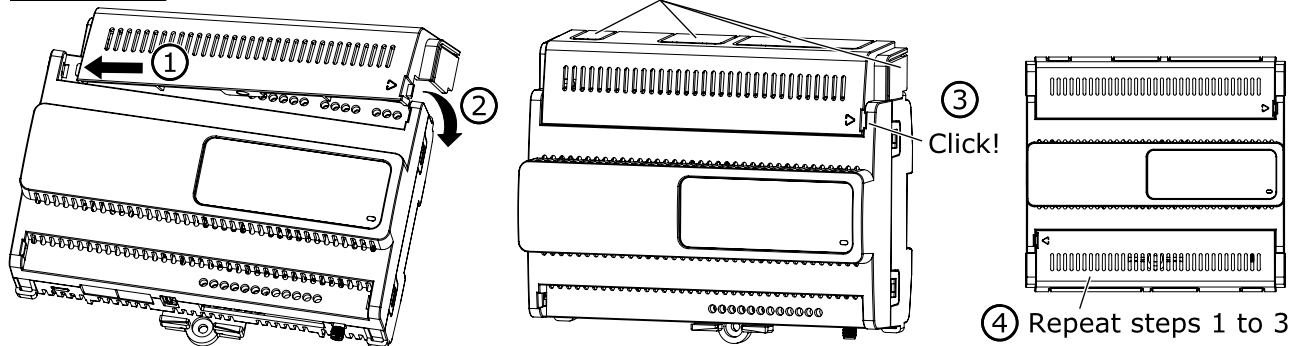


Installing the Device on a Flat Surface

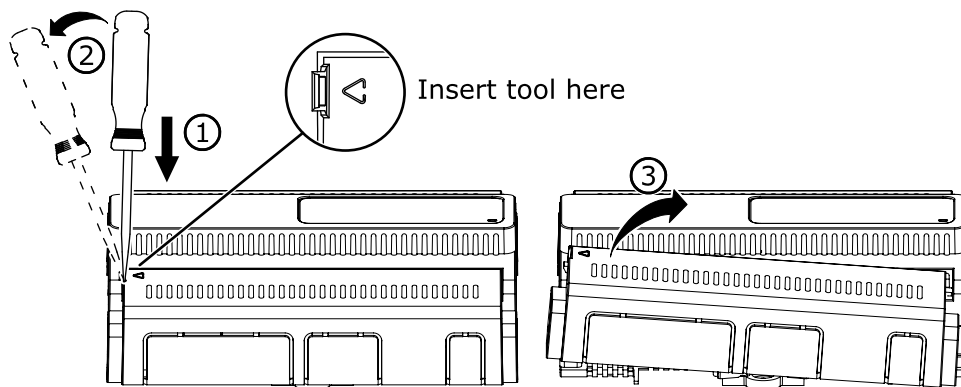


Installing and Removing the Optional Covers

Installation:



Removal:



Connections

⚠️ DANGER

HAZARD OF ELECTRIC SHOCK, EXPLOSION, OR ARC FLASH

Turn off all power connected to this equipment before working on the equipment.

Failure to follow these instructions will result in death or serious injury.

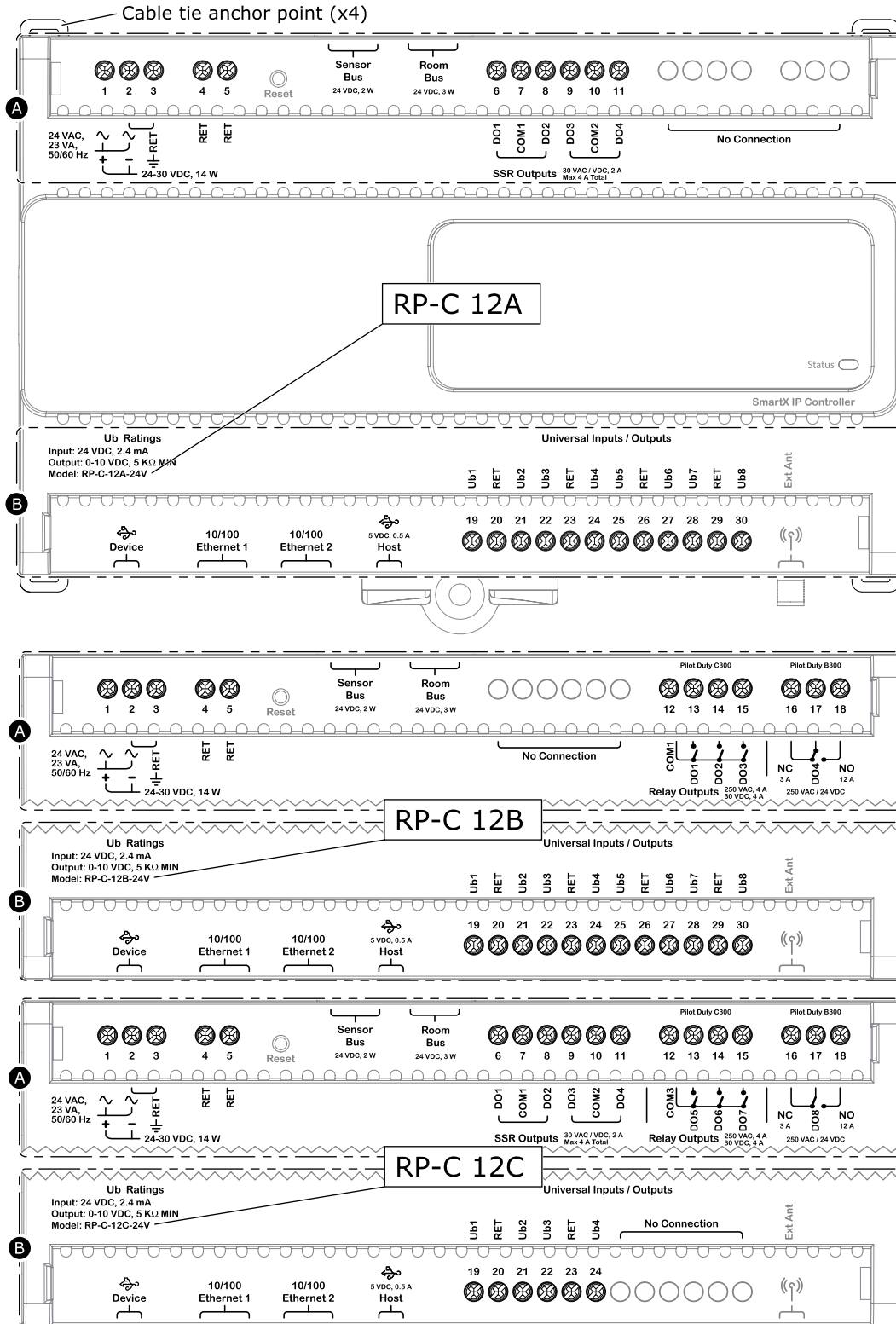
Connections, continued

NOTICE

CONTROLLER DAMAGE

Before powering up the controller, ensure that the input power polarity is correct and that the voltage level meets the specifications of the controller.

Failure to follow these instructions can result in equipment damage.



Wiring

For information on wiring, see the SmartX Controller - Hardware Reference Guide.

Part Numbers

Product	Part number
RP-C-12A-F-24V	SXWRCF12A10001
RP-C-12B-F-24V	SXWRCF12B10001
RP-C-12C-F-24V	SXWRCF12C10001
Optional covers	SXWRPCCOV10001
DIN-rail end clip, 25 pieces	SXWDINEND10001

Specifications

<p>AC input</p> <p>Nominal voltage 24 VAC \sim 50/60 Hz</p> <p>Power consumption 23 VA</p> <p>DC input</p> <p>Nominal voltage 24 to 30 VDC ---</p> <p>Power consumption 14 W</p> <p>Port types</p> <p>USB device port Mini-B</p> <p>USB host port Type-A, 5 VDC, 0.5 A</p> <p>Ethernet port 1 and 2 10/100BASE-TX RJ45</p> <p>Sensor Bus 24 VDC, 2 W, RS-485 (RJ45)</p> <p>Room Bus 24 VDC, 3 W, RS-485 (RJ45)</p> <p>Wireless connectivity</p> <p>Bluetooth® Low Energy (Bluetooth® 5) 2.402 to 2.480 GHz, max. 10 dBm output power, 100 m (328 ft) line-of-sight range</p> <p>Antenna Integrated antenna</p> <p>Approved external antenna (optional) Manufacturer: Linx Technologies, Model: ANT-2.4-WRT-MON-SMA, Gain: 0.8 dBi, Type: Monopole, Impedance: 50 ohm, Connector: SMA</p>	<p>Operation environment</p> <p>Ambient temperature, operating 0 to 50 °C (32 to 122 °F) at normal operation -40 to +60 °C (-40 to +140 °F) for rooftop applications, horizontal installation only See section Installation Orientation Restrictions.</p> <p>Humidity Maximum 95 % RH non-condensing</p> <p>Mechanical</p> <p>Ingress protection rating IP 20</p> <p>Plastic flame rating UL94-5VB</p> <p>IP networking</p> <p>IP address assignment methods Static, DHCP, Auto-IP (address range 169.254.0.1 to 169.254.255.254, subnet mask 255.255.0.0)</p> <p>Regulatory compliance</p> <p>EMC, safety, and environment FCC (ID: DVE-RPC24), ISED (IC: 24775-RPC24), RCM, CE - RED 2014/53/EU, CE - LVD 2014/35/EU, WEEE 2012/19/EU, RoHS 2011/65/EU and 2015/863/EU, China RoHS SJ/T 11364-2014, UL 916 Listed products for the United States and Canada (UL file E80146), UL 2043 (Approved for plenum installations)</p>	<p>Ub – Universal I/O</p> <p>Input rating 24 VDC ---, 2.4 mA</p> <p>Voltage output rating 0 to 10 VDC ---, 5 kohm (min.)</p> <p>Channels RP-C-12A: 8; -12B: 8; -12C: 4</p> <p>DO – Relay outputs</p> <p>Relay contact rating Pilot Duty (C300) Min. current: 100 mA (5 VDC) Resistive: 250 VAC \sim / 30 VDC ---, 4 A (cos phi = 1) Inductive: 250 VAC \sim / 30 VDC ---, 4 A (cos phi = 0.4)</p> <p>Channels RP-C-12A: 0; -12B: 3; -12C: 3</p> <p>DO – High power relay outputs</p> <p>Relay contact rating Pilot Duty (B300) Normally Open, resistive: 250 VAC \sim / 24 VDC ---, 12 A (cos phi = 1) Normally Closed, inductive: 250 VAC \sim / 24 VDC ---, 3 A (cos phi = 0.4)</p> <p>Channels RP-C-12A: 0; -12B: 1; -12C: 1</p> <p>DO – Solid-state relay outputs</p> <p>Output rating 30 VAC \sim / 30 VDC ---, 2 A Max. 4 A total load</p> <p>Channels RP-C-12A: 4; -12B: 0; -12C: 4</p>
---	---	--

Addendum - California Proposition 65 Warning Statement for California Residents

⚠ WARNING: This product can expose you to chemicals including lead which is known to the State of California to cause cancer and which is known to the State of California to cause birth defects or other reproductive harm. For more information go to www.P65Warnings.ca.gov

部件名称 (Part Name)	有害物质 (Hazardous Substances)					
	铅 (Pb)	汞 (Hg)	镉 (Cd)	六价铬 (Cr (VI))	多溴联苯 (PBB)	多溴二苯醚 (PBDE)
塑料部件 (Plastic Parts)	○	○	○	○	○	○
电子件 (Electronics)	X	○	○	○	○	○

本表格依据 SJ/T11364 的规定编制。(This table is made according to SJ/T 11364.)

○: 表示该有害物质在该部件所有均质材料中的含量均在 GB/T 26572 规定的限量要求以下。
(Indicates that the concentration of hazardous substance in all of the homogeneous materials for this part is below the limit as stipulated in GB/T 26572.)

X: 表示该有害物质至少在该部件的某一均质材料中的含量超出 GB/T 26572 规定的限量要求。
(Indicates that the concentration of hazardous substance in at least one of the homogeneous materials used for this part is above the limit as stipulated in GB/T 26572.)

