

# MD40A-24

## Modulating Damper Actuator Action 40 Nm (360 in-lb)





### Product Description

MD40A-24 damper actuators for operating air control dampers in ventilation and air-conditioning systems for building services installations.

- For air control dampers up to approx. 8 m<sup>2</sup> (9.6 yard<sup>2</sup>)
- Torque 40 Nm (360 in-lb)
- Nominal voltage 24 Vac/dc
- Control: Modulating 0...10 V
- Position feedback: 2...10 V

### Specifications

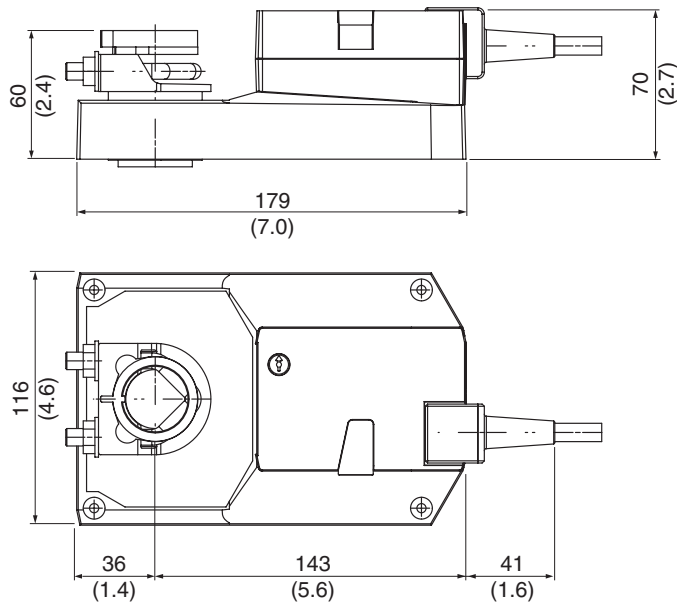
Part number	875 1039 000
Power supply	24 Vac ±20%, 50–60 Hz, 24 Vdc ±20%
Power consumption	
In operation	4 W @ nominal torque
At rest	2 W
For wire sizing	6.5 VA
Connection cable	1 m (3.3 ft), 4×0.75 mm <sup>2</sup> (AWG 18)
Control signal X	0...10 Vdc
Input resistance	100 k Ohm
Operating range	2...10 V DC (for set angle of rotation)
Synchronisation tolerance	±5%
Position feedback Y	2...10 V DC (max. 1 mA)
Direction of rotation	Reversible with switch 0 / 1  at switch position 0  resp. 1

### Features

- The actuator is controlled by means of a standard control signal DC 2–10 V. It opens to the position dictated by this signal. The measuring voltage Y allows the damper position (0 ... 100%) to be electrically indicated and serves as a follow-up control signal for other actuators.
- Simple direct mounting on the damper spindle with a universal spindle clamp, supplied with an anti-rotation strap to prevent the actuator from rotating.
- Manual operation is possible with the self-resetting pushbutton (the gearing latch remains disengaged as long as the pushbutton is pressed or detented).
- Adjustable angle of rotation with mechanical end stops.
- High functional reliability : The actuator is overload-proof, requires no limit switches and automatically stops when the end stop is reached.

Angle of rotation	max. 95° (adjustable by mechanical stops)
Torque min.	40 Nm (360 in-lb) @ nominal voltage
Running time	150 s
Position indication	mechanical
Manual override	Gearing latch disengaged with pushbutton, self-resetting, manual locking
Standards conformity	
EMC, emission	SS EN 50081-1
EMC, immunity	SS EN 50082-1
Protection class	III Safety extra-low voltage
Enclosure rating	IP 54
Ambient humidity	95% rH (EN 60730-1)
Ambient temperature	
Operation	–30...50 °C (–22... 122 °F)
Storage	–40...80 °C (–40 ... 176 °F)
Sound power level	max. 45 dB (A)
Maintenance	Maintenance-free
Weight	Approx 1,7 kg (3.8 lb.)

## Dimensions mm (in)



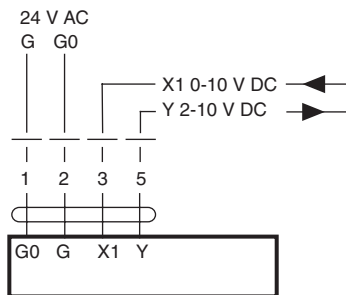
Damper spindle (in.)	Length mm (in.)	⊙ ⊓ mm (in.)
Clamp on top	min. 42 (1.65)	14 ... 26 (0.55 ... 1.02)
Clamp on bottom	min. 20 (0.78)	14 ... 26 (0.55 ... 1.02)

## Wiring

Connection via safety isolating transformer.

Measuring voltage Y for position indication or as master-slave signal.

Parallel connection of several actuators is possible. Power consumption must be observed.



## Accessories

Please refer to Specification Shee "Accessories Damper Actuators" 003-2251 from the Exchange.