

SP02-025 Parapet Mount for Pendant Domes

Product Features

- For Use with Outdoor Pendant Domes That Use 1.5-Inch NPT Pipe (Including Spectra®, DF5, and DF8 Series)
- Mounts to Parapet on Wall or Corner
- Aluminum Construction
- Maximum Load of 45 Pounds (20.4 kg)
- Easy to Install
- Arm Slides Back and Forth in Mount for Easy Access to Dome

Description

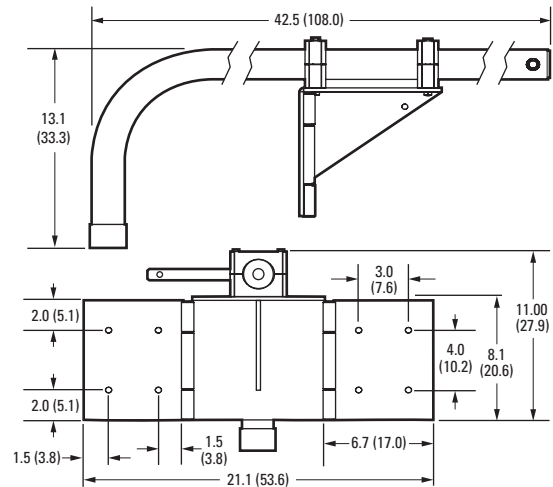
The SP02-025 is a parapet mount for pendant domes that use 1.5 inch NPT pipe, including Spectra®, DF5, and DF8 Series. It has hinged sides that can be opened to mount the base to one side of a parapet wall. The hinged sides can be folded inward to install the base in a corner. The mount arm has a handle on it for sliding the arm in and out from the edge of the roof to make installation and servicing of the pendant dome easy.

SPECIFICATIONS

Construction	Aluminum
Finish	Gray polyester powder coat
Mounting Method	3/8-16 fasteners; 8 required
Maximum Load	45 lb (20.4 kg)
Weight	
Unit	12.15 lb (5.51 kg)
Shipping	20 lb (9.07 kg)

SP DISCLAIMER

SP products carry a 90-day warranty and are not returnable. SP products do not carry any agency certifications. Pelco strongly encourages installers to strictly follow local codes and regulations governing the installation of video security equipment and therefore assumes no liability for the installation of products depicted herein.



NOTE: VALUES IN PARENTHESES ARE CENTIMETERS; ALL OTHERS ARE INCHES.

