

## Installation of Esprit with Medium Lamps SMR 1-2BUUEI 5/11/15

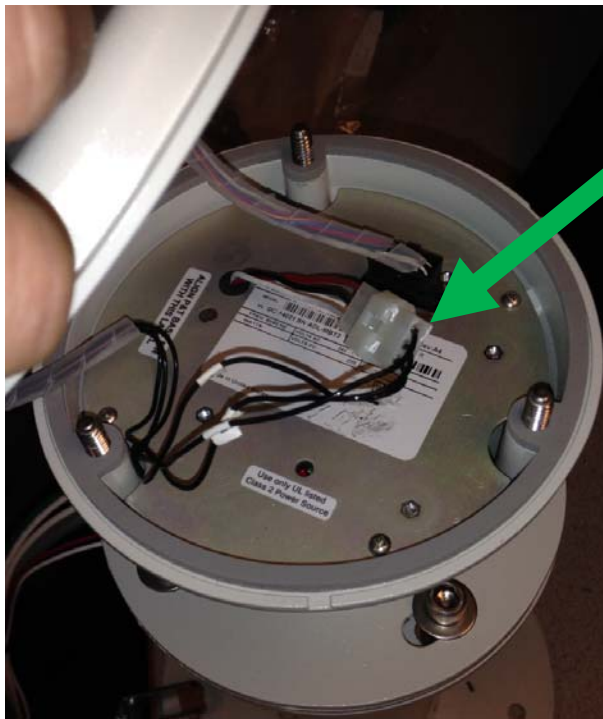
This document describes the basic installation of specially modified Esprit SE, Esprit SE IP, and Esprit HD with two large Pelco illuminators.

Please review all standard Esprit installation and operation guides that come with the Esprit prior to proceeding with the following instructions for the specially modified Esprit.

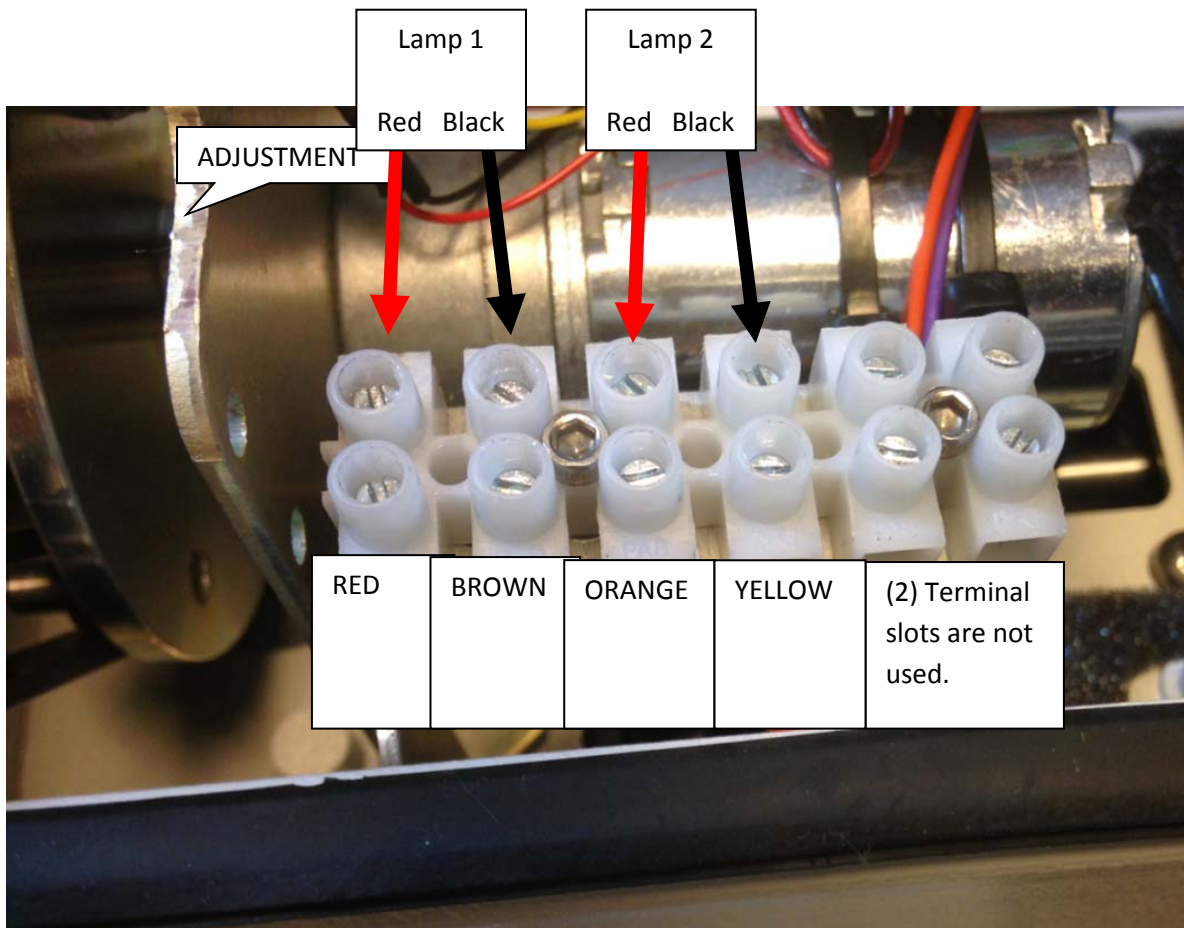
**Follow the standard Esprit instructions for power and communication cables; also follow instructions for mounting the Esprit.**

Special Instructions:

1. Mount the Esprit power module to a solid surface.
2. Mount the Esprit pan and tilt unit to the power module.
  - a. Plug in the standard Esprit cable harness.
  - b. This special Esprit has a four position cable that needs to be connected.
    - i. **This requires two people.** Have one person hold the pan and tilt module while the second person connects the two halves of the 4 position cable connector as shown below.

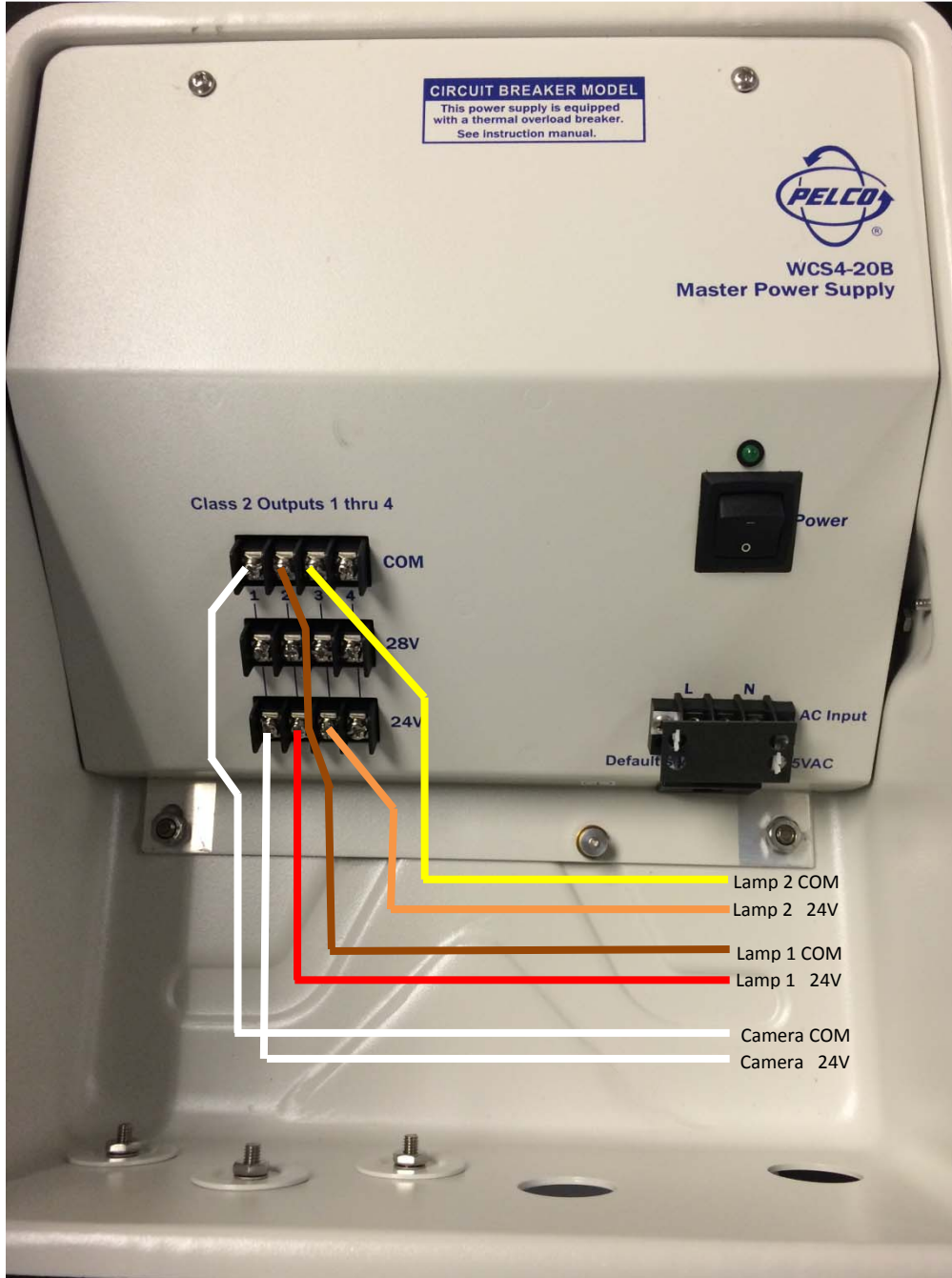


3. Mount the lamps to the Esprit (Brackets are packaged as loose items with the Esprit)
  - a. Note the adjustment points when aiming the lamps. Start with the lamps approximately parallel to the Esprit camera housing.
  
4. Connect the lamps to the Esprit
  - a. Prepare the cable from each lamp. Cut the cable to 18", (45.7cm) long.
  - b. Run the cables through the two glands in the bottom of the Esprit camera housing.
  - c. Wire the two Red and two Black wires per the picture.



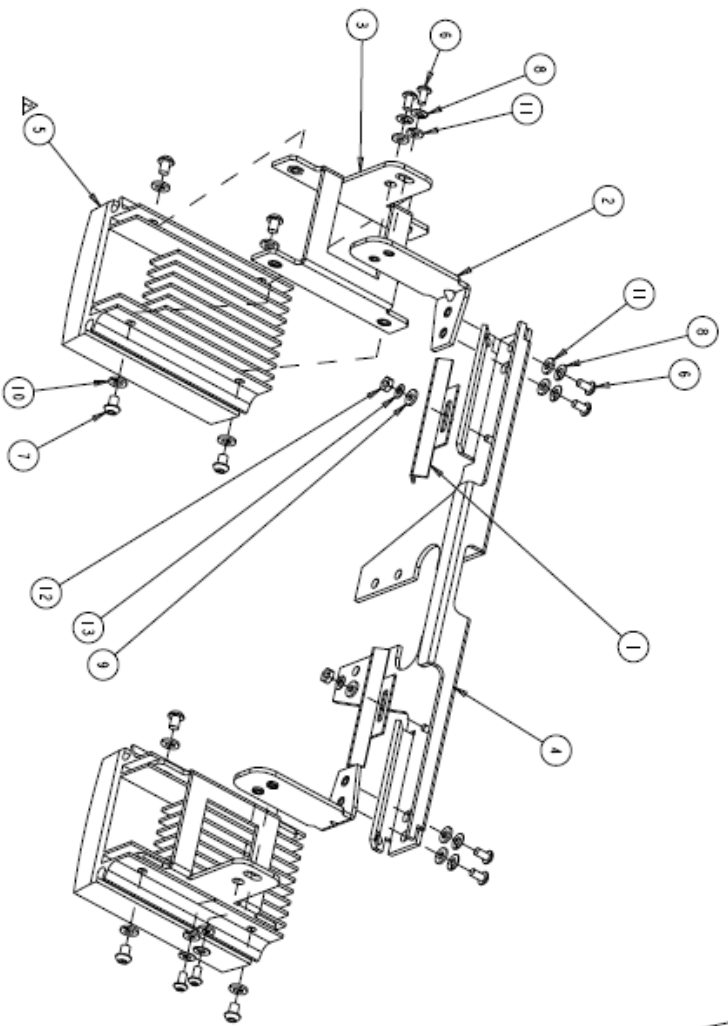
- d. Short the Orange and Purple wires from Lamp 1 together and secure with a wire nut. Repeat for Lamp 2. This step must be followed otherwise the lamps will not turn on.
  - e. The other wires in the lamp cable bundle are not used.
  
5. At the Esprit power module, make external connections for Esprit power, video, and communications per the standard Esprit installation guide.

6. At the Esprit power module, connect the lamp power wires to a 24VAC or 120/240VAC supply
  - a. Connect the Red & Brown wires to the 24VAC power source that will be used for lamp 1.
  - b. Connect the Orange & Yellow wires to the 24VAC power source that will be used for lamp 2.



REV	ECO NO	ZONE	DESCRIPTION	DATE	BY	APPV
2	-	-	RELEASE	08-08-83	M	

NOTES, UNLESS OTHERWISE SPECIFIED:  
 1. THIS DRAWING SERVES AS A REFERENCE ONLY TO DISPLAY THE INFRARED BRACKET SCHEMATIC. THIS DRAWING DOES NOT ENCOMPASS ALL COMPONENTS OF THE FUNCTIONAL S/W AND IS NOT TO BE USED AS AN ASSEMBLY DRAWING.  
 2. INFRARED ILLUMINATOR TYPE: RAYTEC RM50-F-X SERIES \*\*\*\*NOT INCLUDED\*\*\*\*



(COMPUTER DATA BASE DRAWING, PRO-E)

UNLESS OTHERWISE SPECIFIED:		UNLESS OTHERWISE SPECIFIED:		UNLESS OTHERWISE SPECIFIED:		UNLESS OTHERWISE SPECIFIED:	
DIMENSIONS ARE IN INCHES.		DIMENSIONS ARE IN INCHES.		DIMENSIONS ARE IN INCHES.		DIMENSIONS ARE IN INCHES.	
FINISH	N/A	TOLERANCES	XXX ± .005	FINISH	SEE BOM	APPROVALS	DATE
DO NOT SCALE DRAWING		SURFACE TEXTURE	XXX ± .005	IR BRKT ASSY, RAYTEC RM50-F-X		SMR-IGAI03	
USED ON	NEXT ASSY APPLICATION	ALL PATENT, PROPRIETARY DESIGN, USE, SALE, MANUFACTURING AND RIGHTS HERETO ARE RESERVED BY PELCO		RDXX-SMR-IGAI03		REV	
THIRD ANGLE PROJECTION				SCALE: 0.250 = 1		WT	SHEET 1 OF 1

**PELCO** Worldwide Leader in  
 Closed Circuit Video Systems  
 3550 PELCO WAY, DOWNS, CALIFORNIA 92620-9099 USA

REV	DATE	DESCRIPTION
1	08-08-83	RELEASE
2	08-08-83	RELEASE
3	08-08-83	RELEASE
4	08-08-83	RELEASE
5	08-08-83	RELEASE
6	08-08-83	RELEASE
7	08-08-83	RELEASE
8	08-08-83	RELEASE
9	08-08-83	RELEASE
10	08-08-83	RELEASE
11	08-08-83	RELEASE
12	08-08-83	RELEASE
13	08-08-83	RELEASE